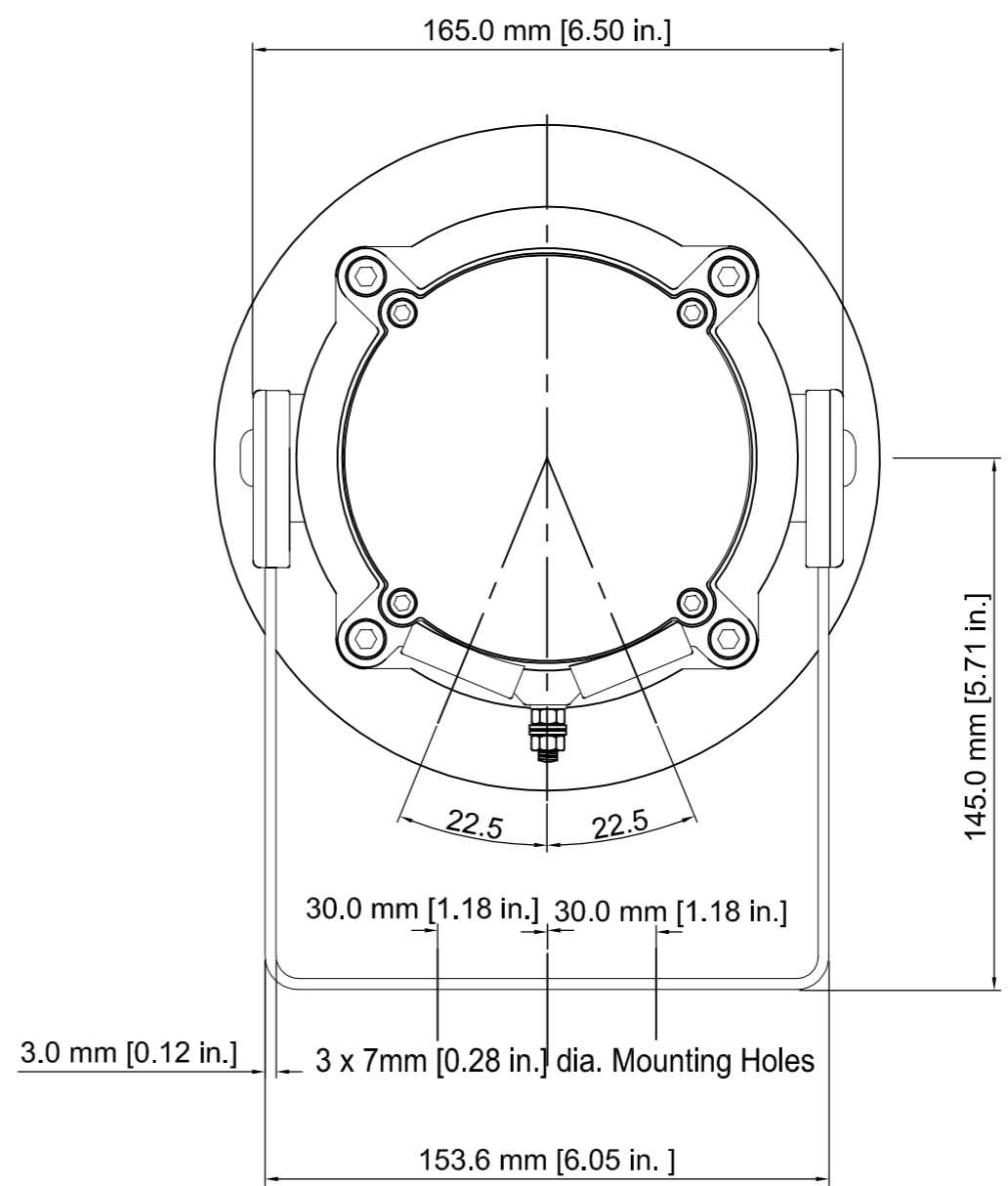
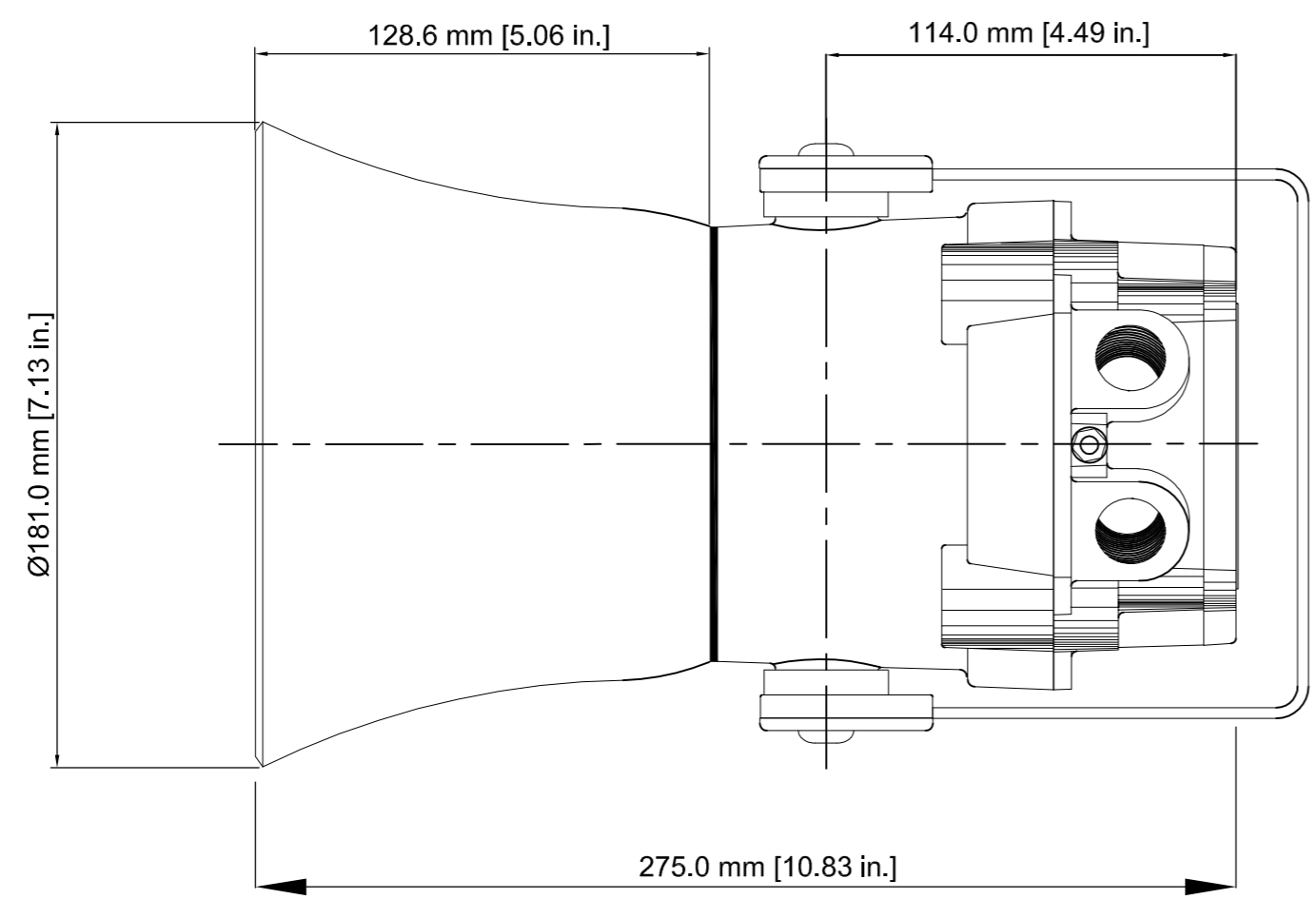


ISSUE	MOD No.	INITIAL/DATE
A		INTRODUCTION OF PART GU 28-08-09
B		UPDATED TO DUAL DIMS. RSR 24-06-13



E2S PART NO.	DESCRIPTION	DATA REFERENCE
BExL15...	BExL15/BExDL15 PA LOUDSPEAKERS (Ex e VERSION)	1.22.110
BExS110...	BExS110/BExDS110 ALARM SOUNDERS ( Ex e VERSION)	1.22.030

WHERE APPLICABLE '-UL' VERSIONS ARE COVERED BY THIS OUTLINE DRAWING.

DRAWING TO BS8888:2000 GEOMETRIC TOLERANCES TO ISO1101:1983 LINEAR DIMENSIONAL TOLS ANGULAR DIMENSIONAL TOLS	DRAWN G. UDOWICZENKO	DATE 26-08-09	SURFACE FINISH	WEIGHT (Kg)	THIS DRAWING AND ANY INFORMATION OR DESCRIPTIVE MATTER THEREIN IS COMMUNICATED IN CONFIDENCE AND IS THE COPYRIGHT PROPERTY OF EUROPEAN SAFETY SYSTEMS LTD. NEITHER THE WHOLE OR ANY EXTRACT MAY BE DISCLOSED, LOANED, COPIED OR USED FOR MANUFACTURING OR TENDERING PURPOSES WITHOUT THEIR WRITTEN CONSENT.  EUROPEAN SAFETY SYSTEMS LTD. AS PER LATEST DATE OF ISSUE SHOWN ABOVE	 warning signals EUROPEAN SAFETY SYSTEMS LTD IMPRESS HOUSE MANSELL ROAD ACTON LONDON W3 7QH WWW.E2S.COM	ALL DIMENSIONS IN MM IF IN DOUBT, ASK - DO NOT SCALE		A2
	CHECKED	DATE	MATERIAL	TITLE <b>BEx S110/L15 Ex e RANGE - SOUNDER OUTLINE</b>					
	APPROVED	DATE	ALTERNATIVE MATERIAL	SCALE NTS			SHEET 1 OF 1	DRAWING NUMBER <b>SK0113</b>	