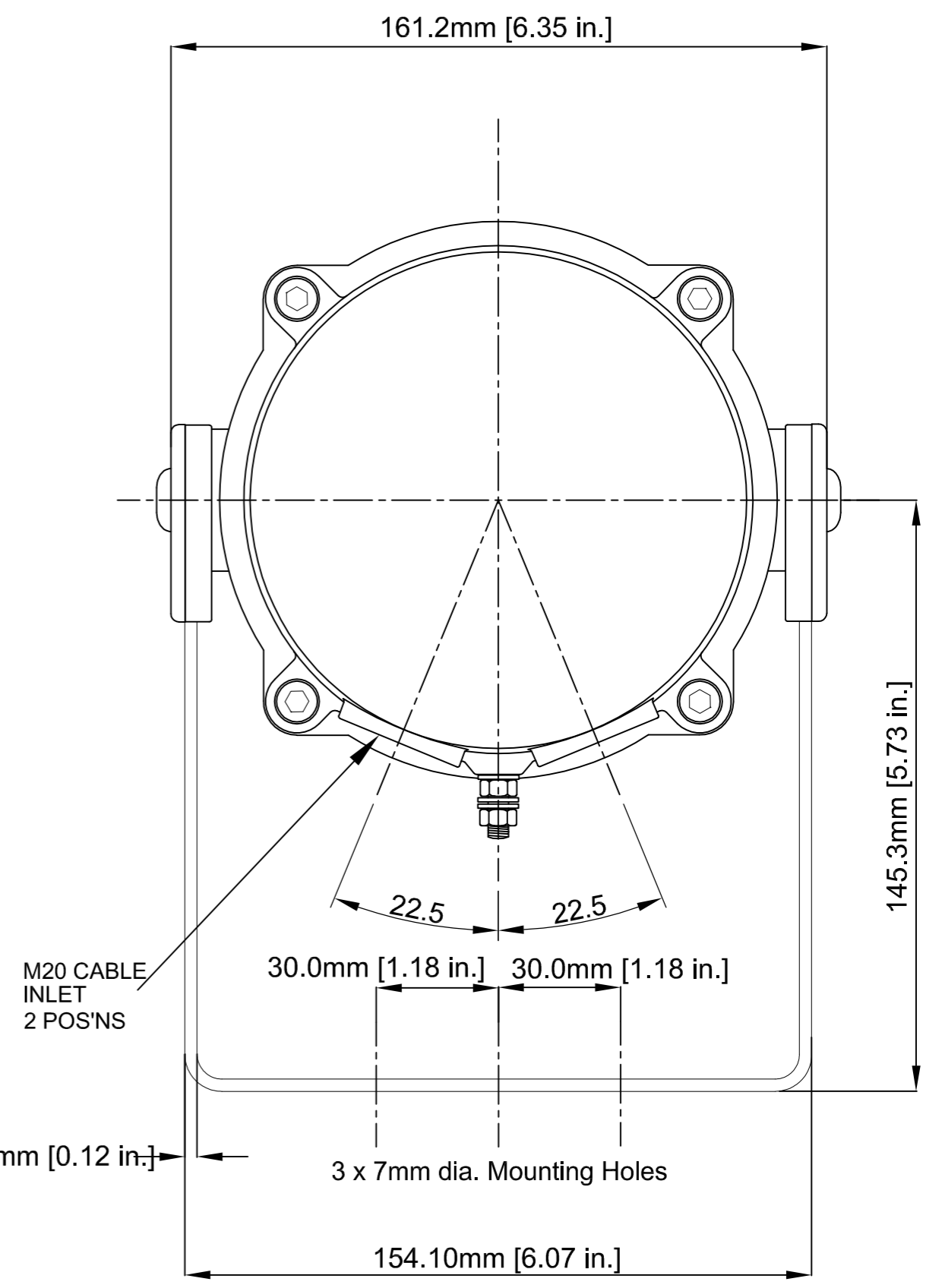
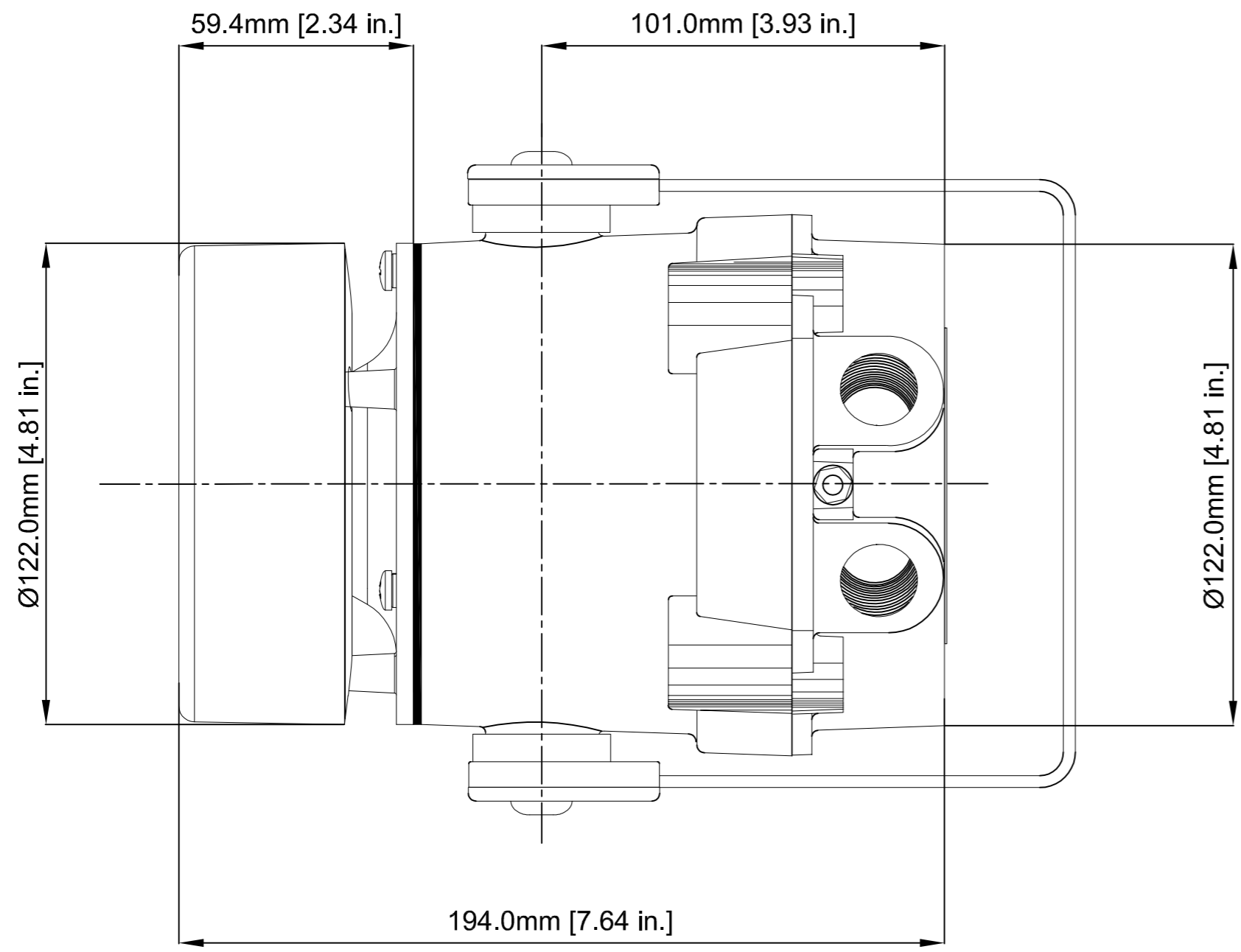


ISSUE	MOD No.	INITIAL/DATE
A		INTRODUCTION OF PART RSR 07-06-13



E2S PART NO.	DESCRIPTION	DATA REFERENCE
BExH120...-R	BExH120-R & BExDH120-R ZONE 1, 2, 21 & 22 'BELLTRONIC'	1.22.070
BExS110...-R	BExS110-R/BExDS110-R RADIAL OUTPUT ALARM SOUNDER (Ex d VERSION)	1.22.050

WHERE APPLICABLE '-UL' VERSIONS ARE COVERED BY THIS OUTLINE DRAWING.

DRAWING TO BS8888:2000 GEOMETRIC TOLERANCES TO ISO1101:1983 LINEAR DIMENSIONAL TOLS ANGULAR DIMENSIONAL TOLS	DRAWN R. S. RAIT	DATE 07-06-13	SURFACE FINISH	WEIGHT (Kg)	THIS DRAWING AND ANY INFORMATION OR DESCRIPTIVE MATTER THEREIN IS COMMUNICATED IN CONFIDENCE AND IS THE COPYRIGHT PROPERTY OF EUROPEAN SAFETY SYSTEMS LTD. NEITHER THE WHOLE OR ANY EXTRACT MAY BE DISCLOSED, LOANED, COPIED OR USED FOR MANUFACTURING OR TENDERING PURPOSES WITHOUT THEIR WRITTEN CONSENT.	 warning signals EUROPEAN SAFETY SYSTEMS LTD IMPRESS HOUSE MANSELL ROAD ACTON LONDON W3 7QH WWW.E2S.COM	ALL DIMENSIONS IN MM & [INCHES] IF IN DOUBT, ASK - DO NOT SCALE	 A2
	CHECKED R. N. POTTS	DATE 07-06-13						
	STANDARDS	APPROVED R. N. POTTS	DATE 07-06-13	ALTERNATIVE MATERIAL				