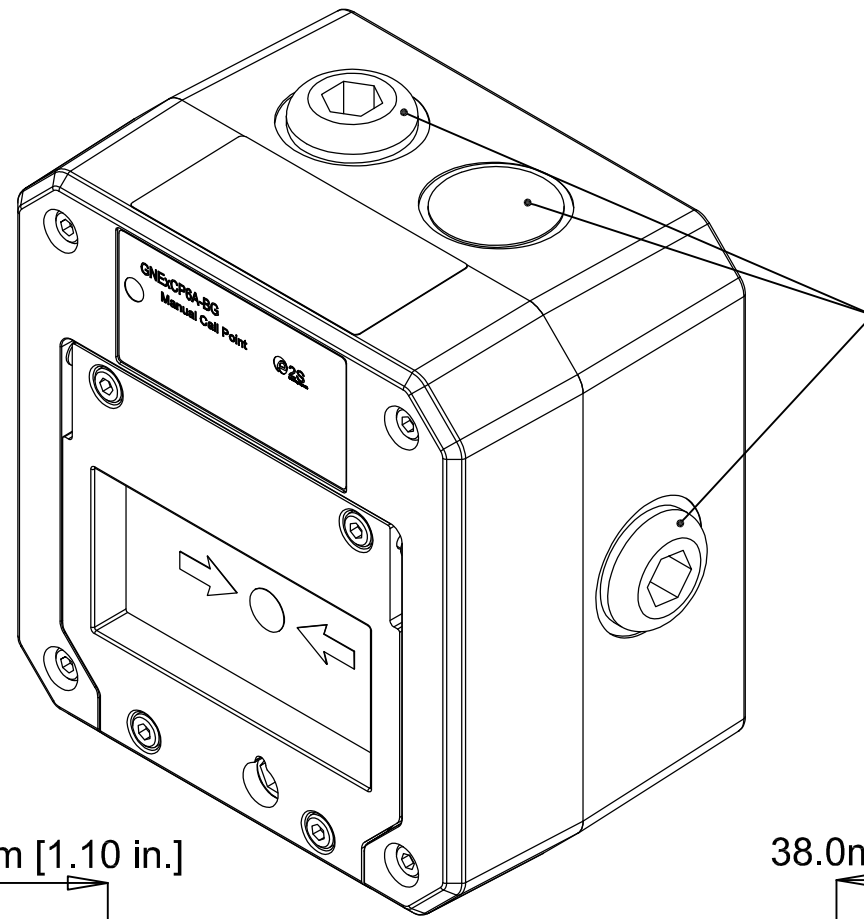
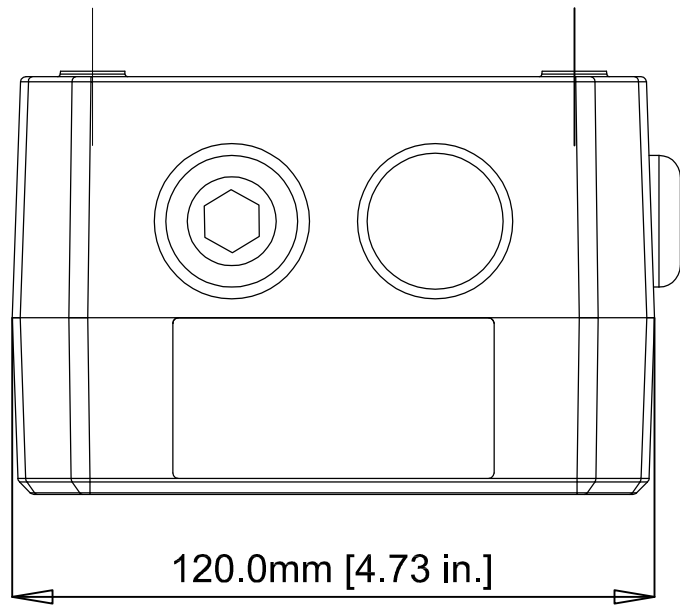
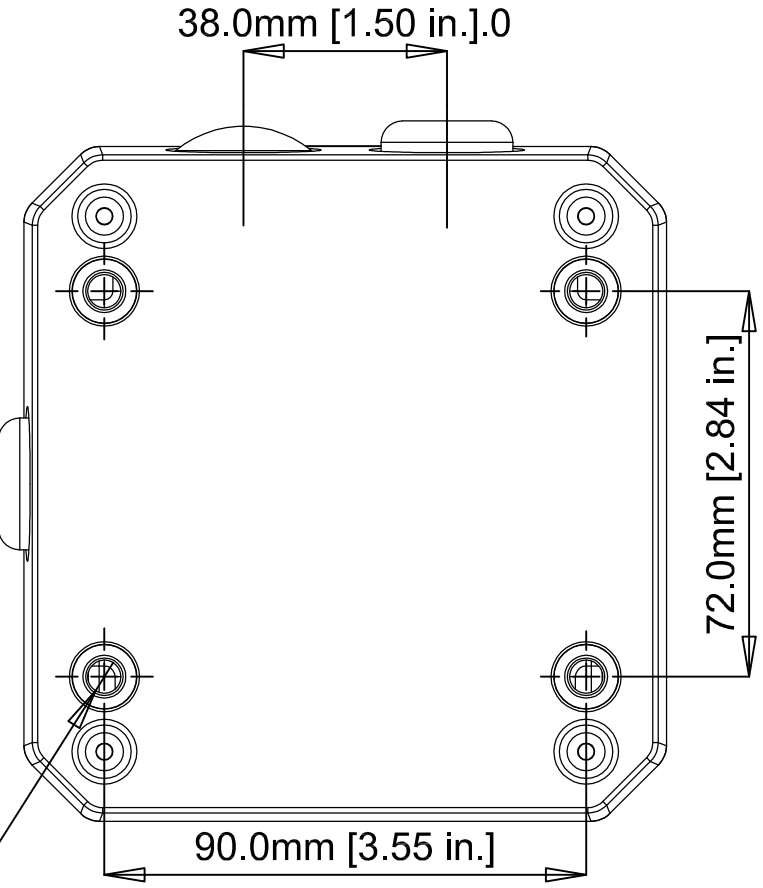
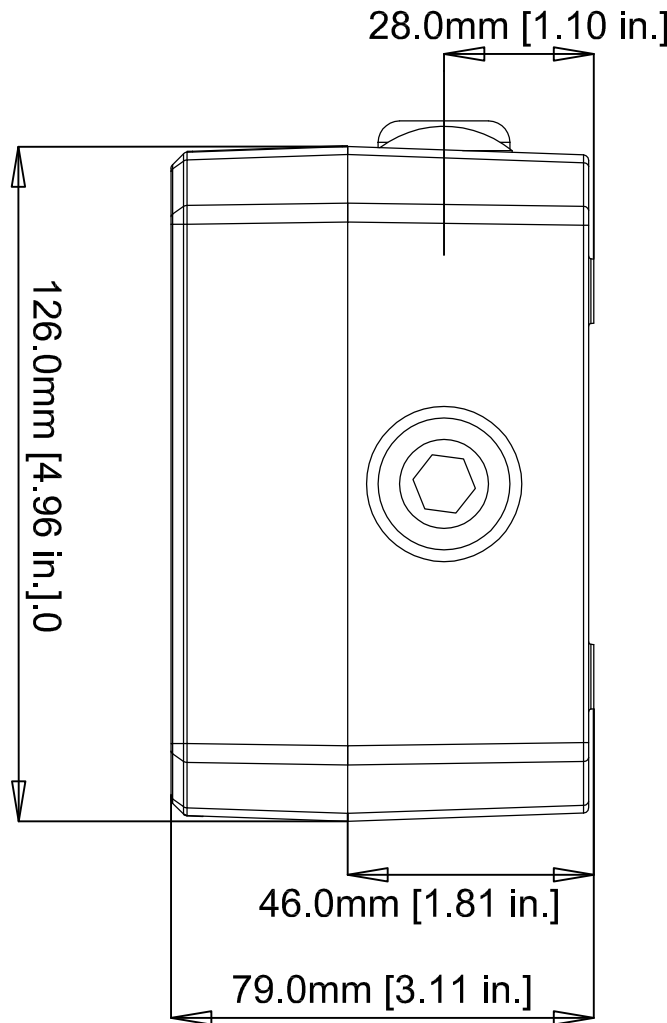
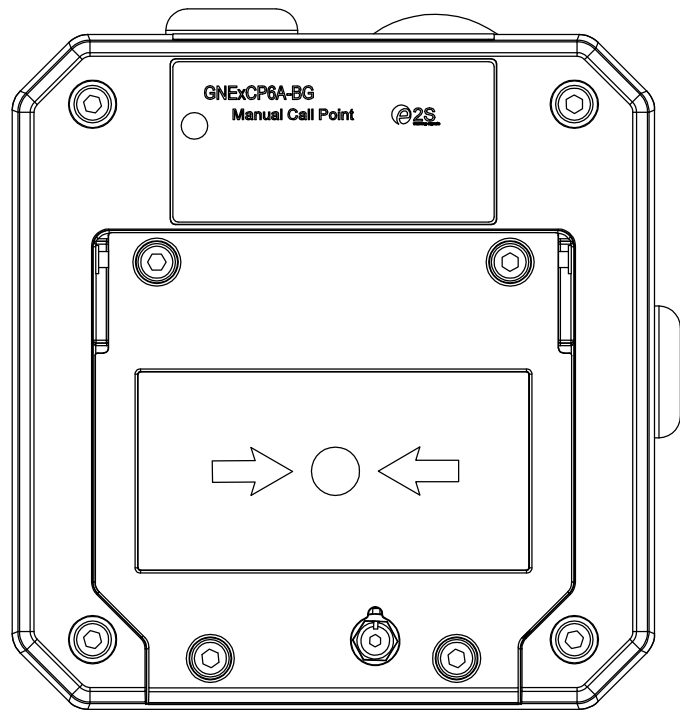


ISSUE	MOD No.	REASON - INITIAL - DATE
A		INTRODUCTION OF PART RSR 22/02/12
B		ENTRY CENTRES ALTERED RNP 11/04/12
C		UPDATED TO DUAL DIMS. RSR 26/06/13



ISOMETRIC VIEW



Ø6.2mm [Ø0.24 in.] MOUNTING HOLES 4 OFF

E2S PART NO.	DESCRIPTION	DATA REFERENCE
GNECP6A-BG	BExCP3A-BG BREAK GLASS CALL POINT	1.24.010
GNECP6B-BG	BExCP3B-BG BREAK GLASS CALL POINT	1.24.020

WHERE APPLICABLE '-UL' VERSIONS ARE COVERED BY THIS OUTLINE DRAWING.

DRAWING TO BS8888:2000 GEOMETRIC TOLERANCES TO ISO1101:1983 LINEAR DIMENSIONAL TOLS ANGULAR DIMENSIONAL TOLS	DRAWN <b>R.S.RAIT</b>	DATE <b>22-02-12</b>	SURFACE FINISH WEIGHT (Kg)	MATERIAL	THIS DRAWING AND ANY INFORMATION OR DESCRIPTIVE MATTER THEREIN IS COMMUNICATED IN CONFIDENCE AND IS THE COPYRIGHT PROPERTY OF EUROPEAN SAFETY SYSTEMS LTD. NEITHER THE WHOLE OR ANY EXTRACT MAY BE DISCLOSED, LOANED, COPIED OR USED FOR MANUFACTURING OR TENDERING PURPOSES WITHOUT THEIR WRITTEN CONSENT.	 EUROPEAN SAFETY SYSTEMS LTD IMPRESS HOUSE MANSELL ROAD ACTON LONDON W3 7QH WWW.E2S.COM	ALL DIMENSIONS IN MM IF IN DOUBT, ASK - DO NOT SCALE		A2
	CHECKED <b>R.N.POTTS</b>	DATE <b>22-02-12</b>							
STANDARDS <b>GNECP6 CALL POINTS</b>	APPROVED <b>R.N.POTTS</b>	DATE <b>22-02-12</b>			EUROPEAN SAFETY SYSTEMS LTD. AS PER LATEST DATE OF ISSUE SHOWN ABOVE		SCALE 1:1	SHEET 1 OF 1	DRAWING NUMBER <b>SK0207</b>