

A

# STB BEACON STACK

STB2/STB3/STB4  
 IP Rating: IP66  
 Temp: -25°C to +55°C  
 CE

Order code	Xenon Beacon Current	LED Beacon Current	Nominal Voltage	Voltage Range
STB2DC012[x]	500mA	155mA	12 V DC	(10-14V)
STB2DC024[x]	250mA	155mA	24 V DC	(20-28V)
STB2DC048[x]	175mA	127mA	48 V DC	(42-54V)
STB2AC115[x]	70mA	35mA	115V AC	(+/-10%)
STB2AC230[x]	35mA	35mA	230V AC	(+/-10%)
STB3DC012[x]	500mA	155mA	12 V DC	(10-14V)
STB3DC024[x]	250mA	155mA	24 V DC	(20-28V)
STB3DC048[x]	175mA	127mA	48 V DC	(42-54V)
STB3AC115[x]	70mA	35mA	115V AC	(+/-10%)
STB3AC230[x]	35mA	35mA	230V AC	(+/-10%)
STB4DC012[x]	500mA	155mA	12 V DC	(10-14V)
STB4DC024[x]	250mA	155mA	24 V DC	(20-28V)
STB4DC048[x]	175mA	127mA	48 V DC	(42-54V)
STB4AC115[x]	70mA	35mA	115V AC	(+/-10%)
STB4AC230[x]	35mA	35mA	230V AC	(+/-10%)

Mountings  
 Multiple mounting lugs with holes suitable for up to M6 fixings.

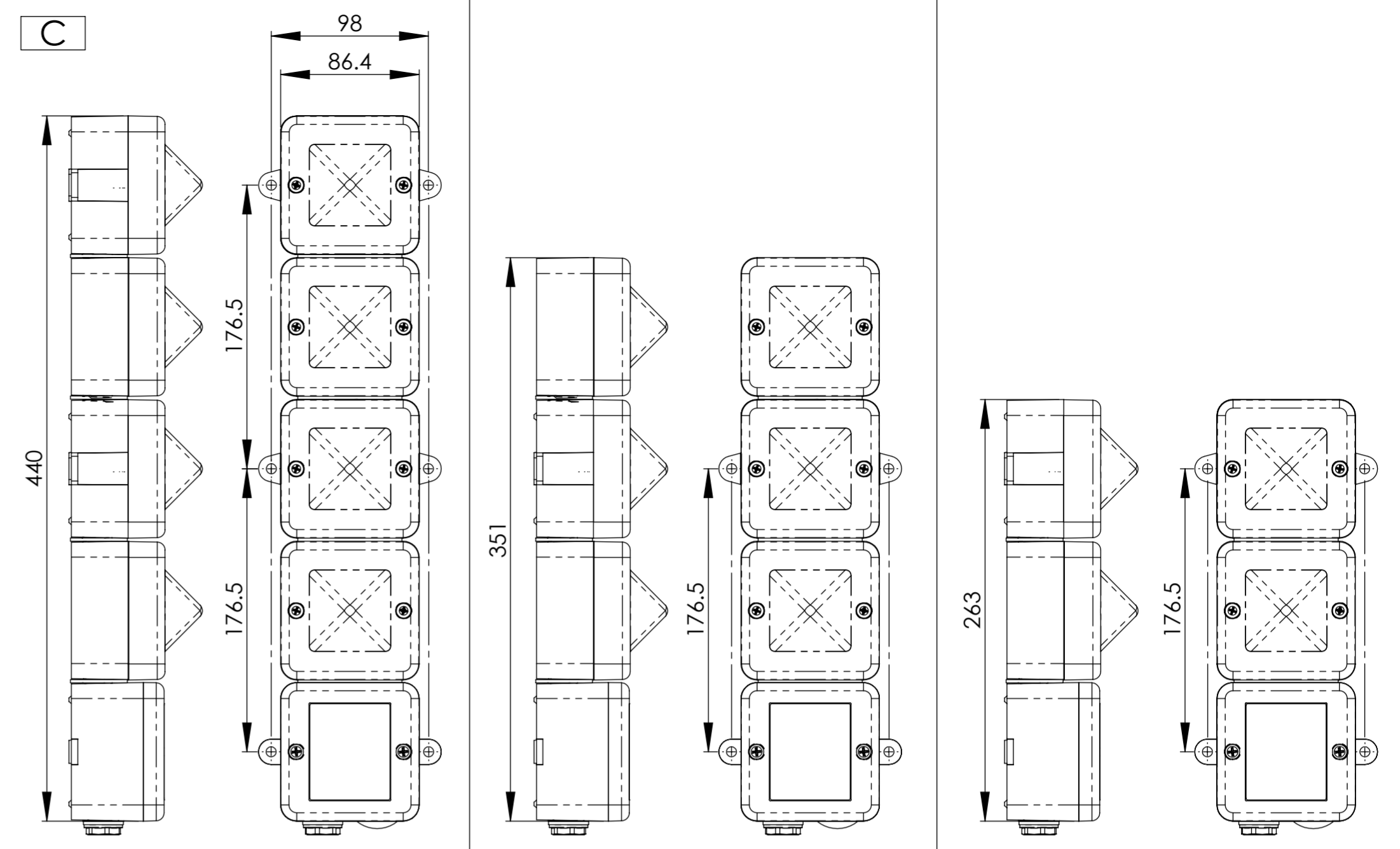
2.5mm<sup>2</sup> terminals  
 Cable entry: M20 cable entry (IP66)

x = Housing colour  
 R = Red  
 G = Grey  
 W = White

Tel: +44 (0)2 8743 8880 Fax: +44 (0)20 8740 4200  
 mail: sales@e2s.com web: www.e2s.com



C



STB4 with 4 Beacons fitted.

STB3 with 3 Beacons fitted.

STB2 with 2 Beacons fitted.

B

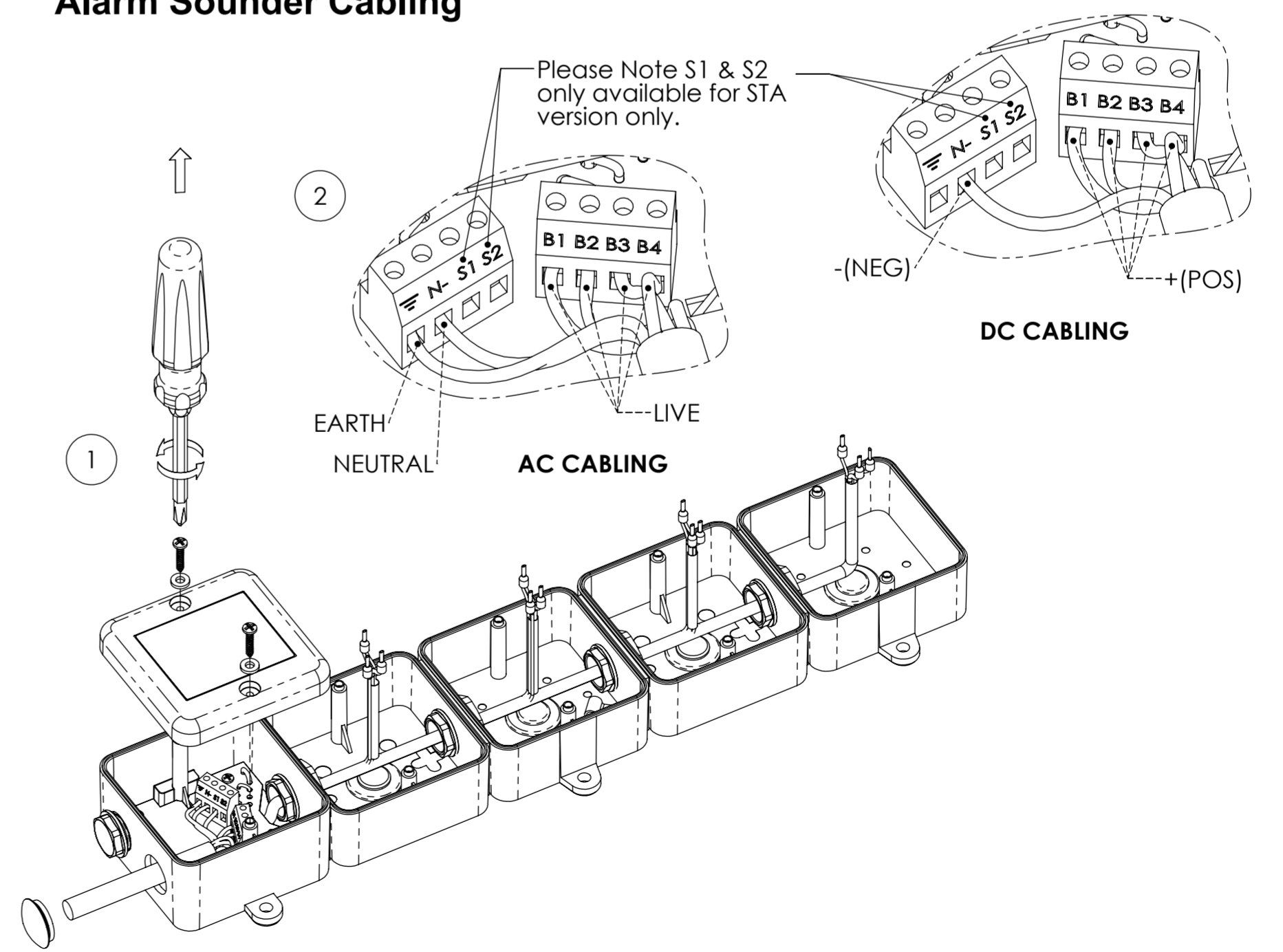
- ATTENTION:** Installation must be carried out by an electrician in compliance with the latest codes and regulations.
- ATTENTION:** Disconnect from power source before installation or service to prevent electric shock.
- ATTENTION:** On strobe beacons allow a minimum of 2 minutes for hazardous high voltage to discharge from unit.
- ATTENTION:** Lens on unit will be hot allow to cool prior to removal.

Tel: +44 (0)2 8743 8880 Fax: +44 (0)20 8740 4200  
 mail: sales@e2s.com web: www.e2s.com



D

## Alarm Sounder Cabling

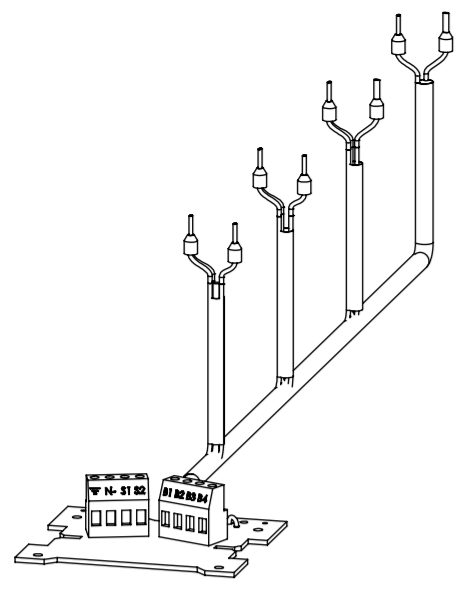


Tel: +44 (0)2 8743 8880 Fax: +44 (0)20 8740 4200  
 mail: sales@e2s.com web: www.e2s.com

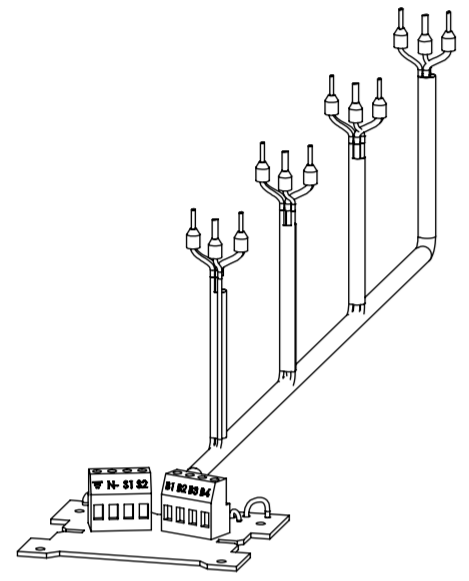
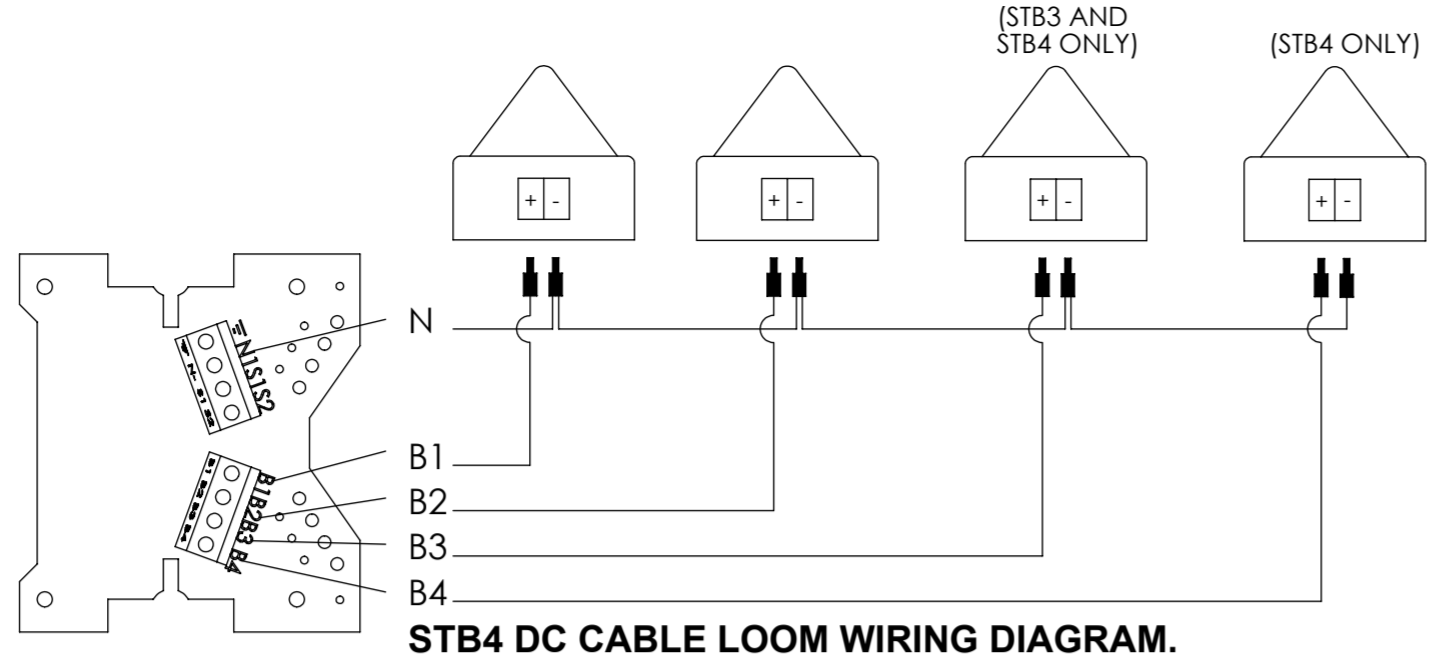


D171-00-501-IS\_SHT1\_ISSUE\_1

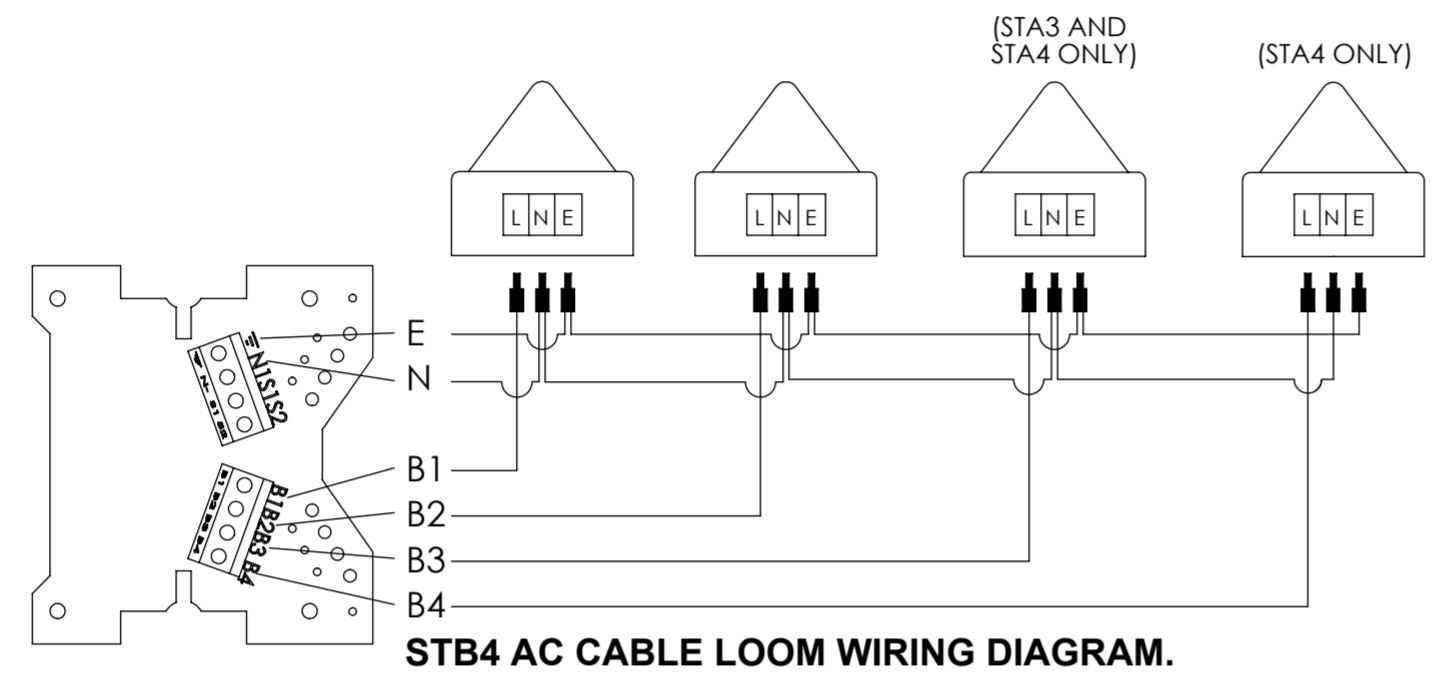
E



STB DC CABLE LOOM PRE-INSTALLED.



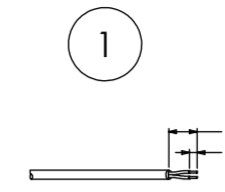
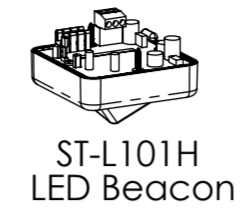
STB AC CABLE LOOM PRE-INSTALLED.



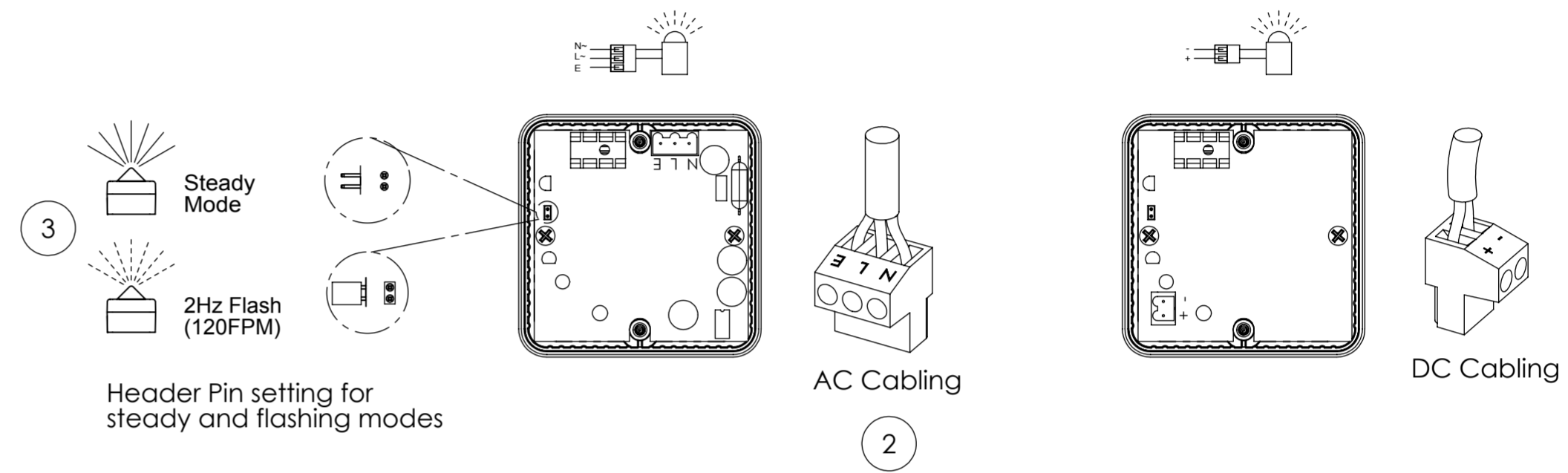
Tel : +44 (0)2 8743 8880 Fax : +44 (0)20 8740 4200  
 mail : sales@e2s.com web : www.e2s.com



G



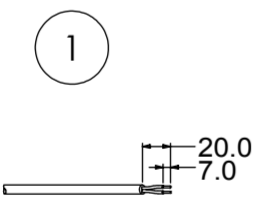
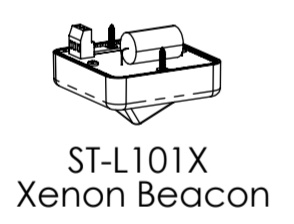
AC	DC	CABLE COLOR
EARTH	-	GREEN
LIVE	(+ tive)	BLACK
NEUTRAL	(- tive)	WHITE



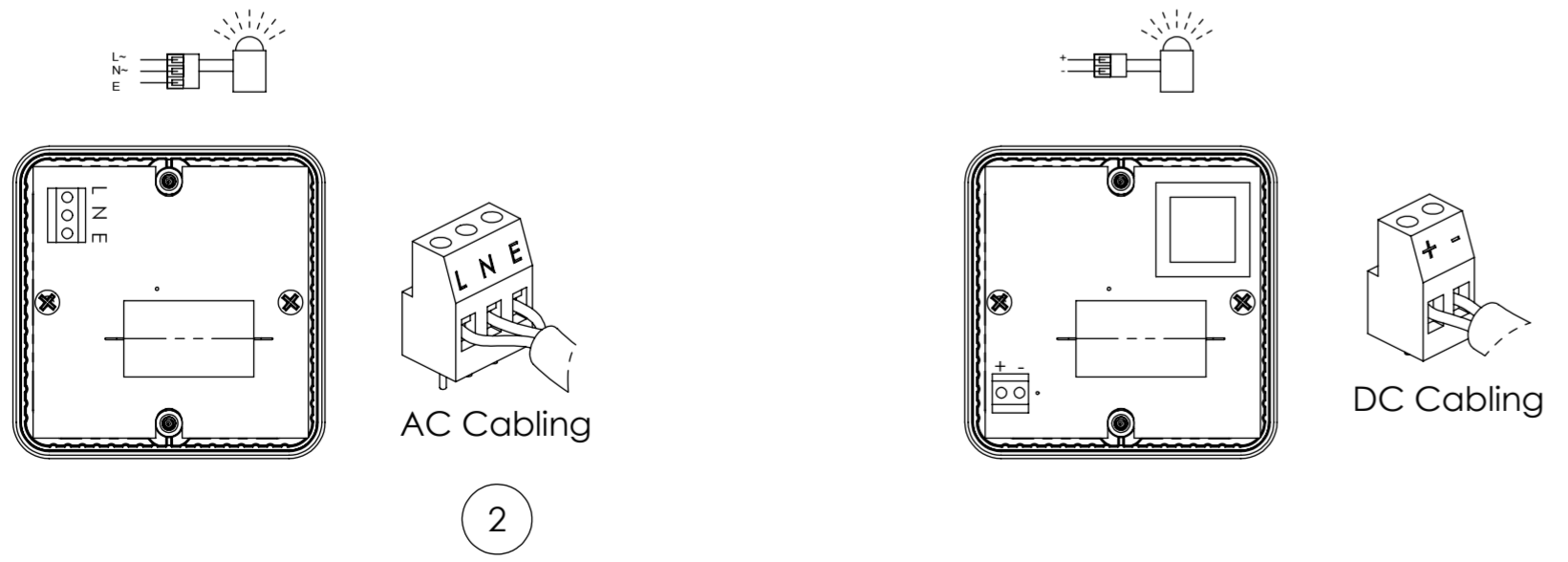
Tel : +44 (0)2 8743 8880 Fax : +44 (0)20 8740 4200  
 mail : sales@e2s.com web : www.e2s.com



F



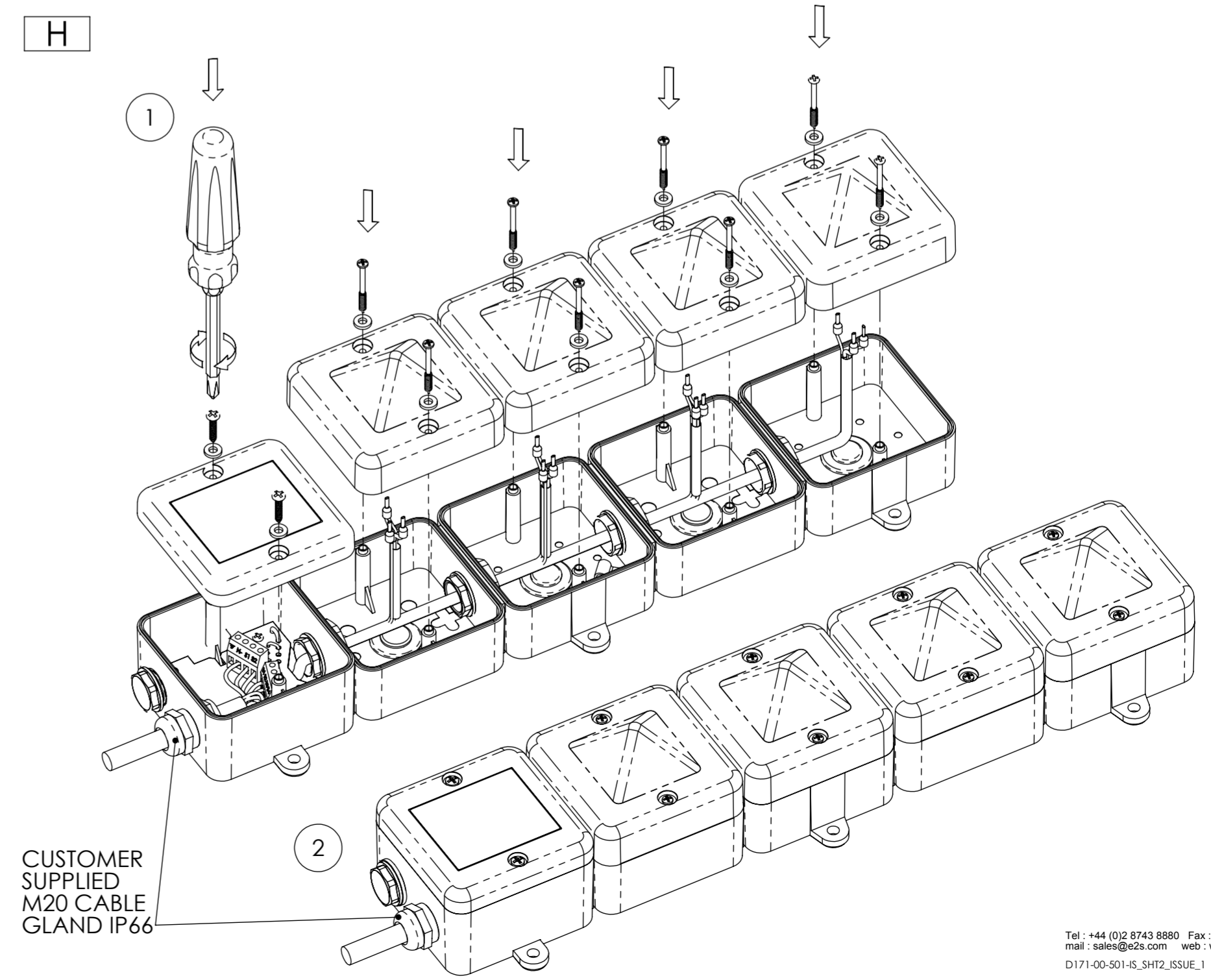
AC	DC	CABLE COLOR
EARTH	-	GREEN
LIVE	(+ tive)	BLACK
NEUTRAL	(- tive)	WHITE



Tel : +44 (0)2 8743 8880 Fax : +44 (0)20 8740 4200  
 mail : sales@e2s.com web : www.e2s.com



H



Tel : +44 (0)2 8743 8880 Fax : +44 (0)20 8740 4200  
 mail : sales@e2s.com web : www.e2s.com  
 D171-00-501-IS\_SHT2\_ISSUE\_1

