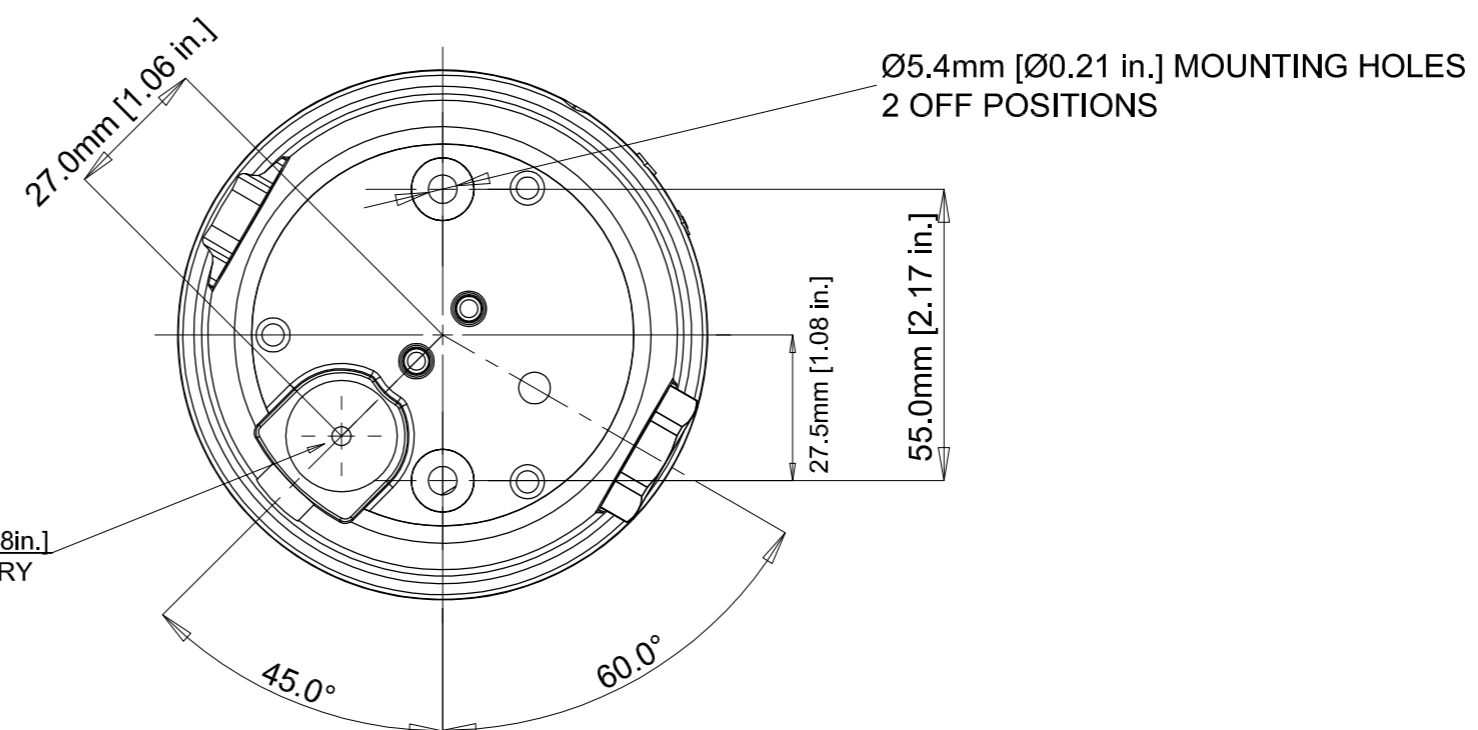
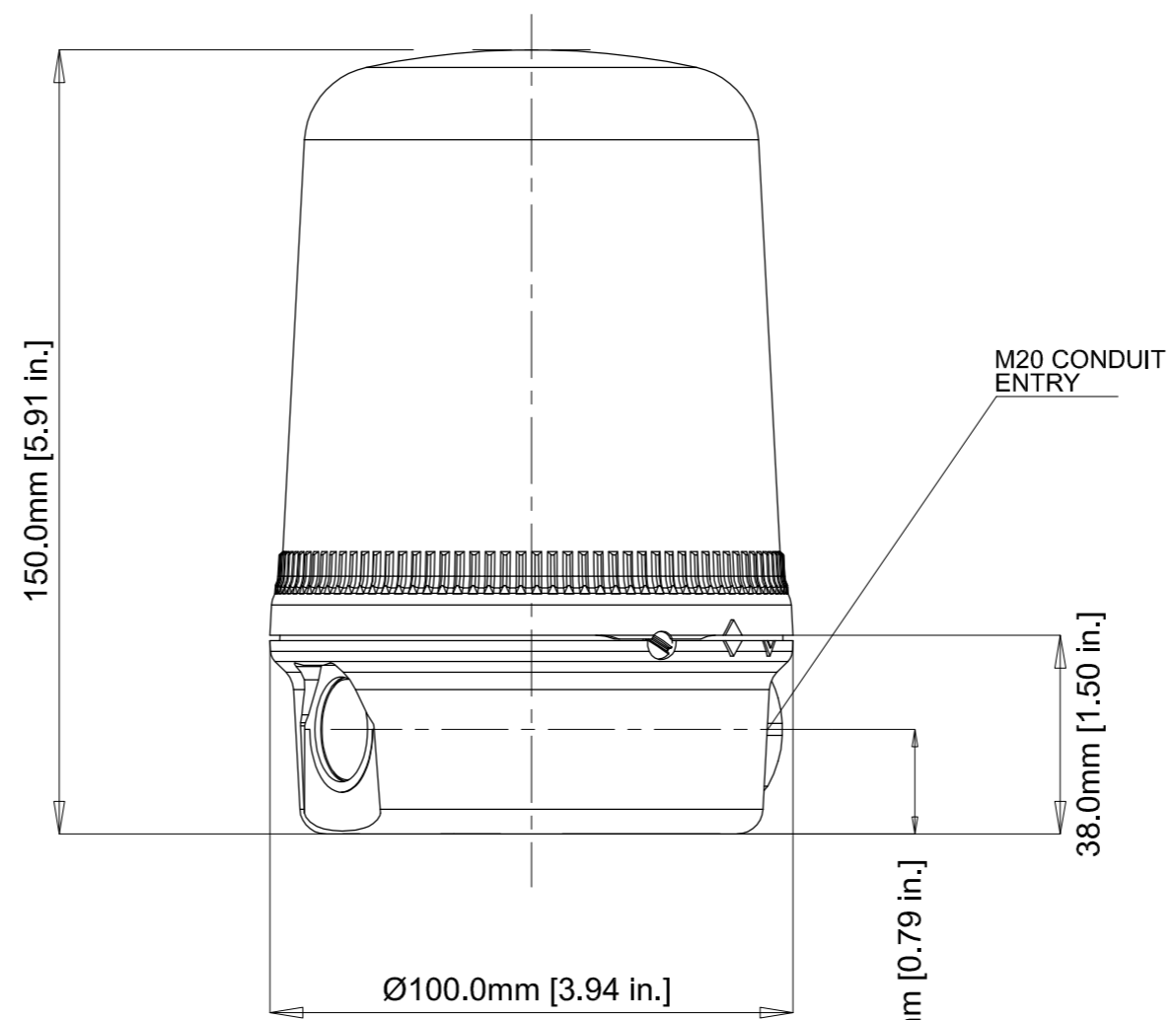


ISSUE	MOD No.	REASON - INITIAL - DATE
A		INTRODUCTION OF PART RNP 25-10-07
B		UPDATED TO DUAL DIMS. RSR 24-06-13



E2S PART NO.	DESCRIPTION	DATA REFERENCE
B300STR...	B300STR XENON STROBE BEACON	2.13.020
B300LDA...	B300LDA LED BEACON (MULTI FUNCTION ARRAY)	2.14.020
B300SLF...	B300SLF STATUS BEACON (FILAMENT LAMP)	2.15.030
B300FLF...	B300FLF BLINKING BEACON (HALOGEN LAMP)	2.15.030
B300RTH...	B300RTH LED PERMANENT BEACON	2.12.010
B300SLH...	B300SLH STATUS BEACON (FILAMENT LAMP)	2.15.020
B300FLH...	B300FLH BLINKING BEACON (HALOGEN LAMP)	2.15.040

WHERE APPLICABLE 'UL' VERSIONS ARE COVERED BY THIS OUTLINE DRAWING.

DRAWING TO BS8888:2000 GEOMETRIC TOLERANCES TO ISO1101:1983 LINEAR DIMENSIONAL TOLS ANGULAR DIMENSIONAL TOLS	DRAWN <b>R.N.POTTS</b>	DATE <b>25.10.07</b>	SURFACE FINISH FINISH	WEIGHT (Kg)	THIS DRAWING AND ANY INFORMATION OR DESCRIPTIVE MATTER THEREIN IS COMMUNICATED IN CONFIDENCE AND IS THE COPYRIGHT PROPERTY OF EUROPEAN SAFETY SYSTEMS LTD. NEITHER THE WHOLE OR ANY EXTRACT MAY BE DISCLOSED, LOANED, COPIED OR USED FOR MANUFACTURING OR TENDERING PURPOSES WITHOUT THEIR WRITTEN CONSENT.  © EUROPEAN SAFETY SYSTEMS LTD. AS PER LATEST DATE OF ISSUE SHOWN ABOVE	 EUROPEAN SAFETY SYSTEMS LTD IMPRESS HOUSE MANSELL ROAD ACTON LONDON W3 7QH WWW.E2S.COM	ALL DIMENSIONS IN MM & [in.] IF IN DOUBT, ASK - DO NOT SCALE		<b>A2</b>
	CHECKED	DATE	MATERIAL	TITLE <b>B300 RANGE - OUTLINE</b>					
	APPROVED	DATE	ALTERNATIVE MATERIAL	SCALE 1:1			SHEET 1 OF 1	DRAWING NUMBER <b>SK0011</b>	