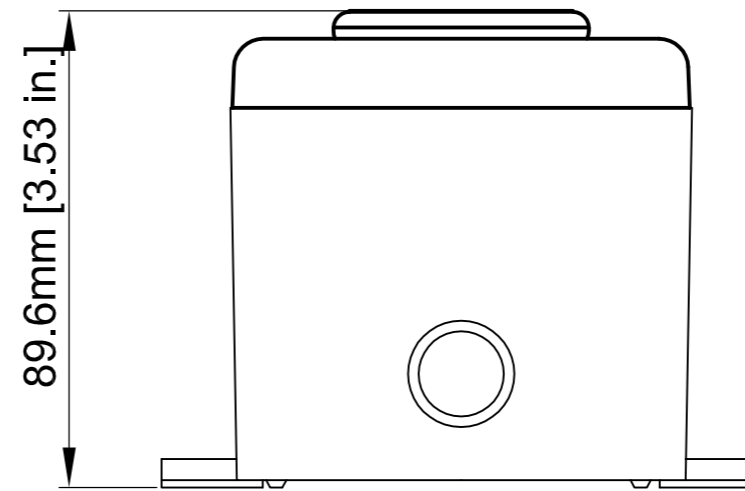
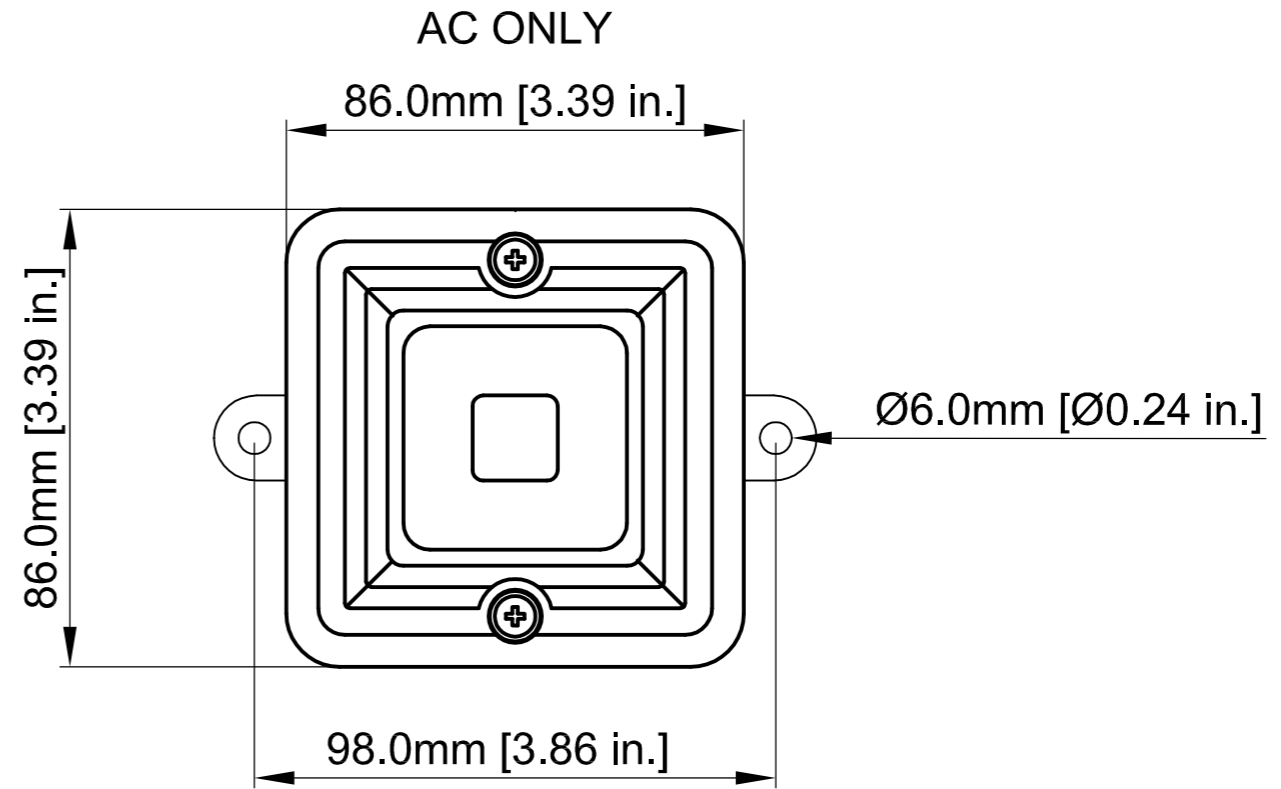
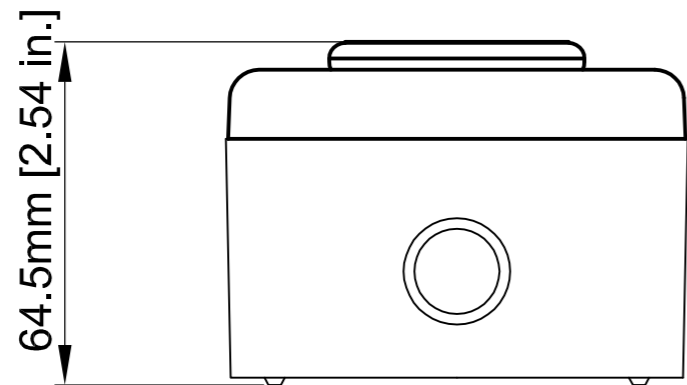
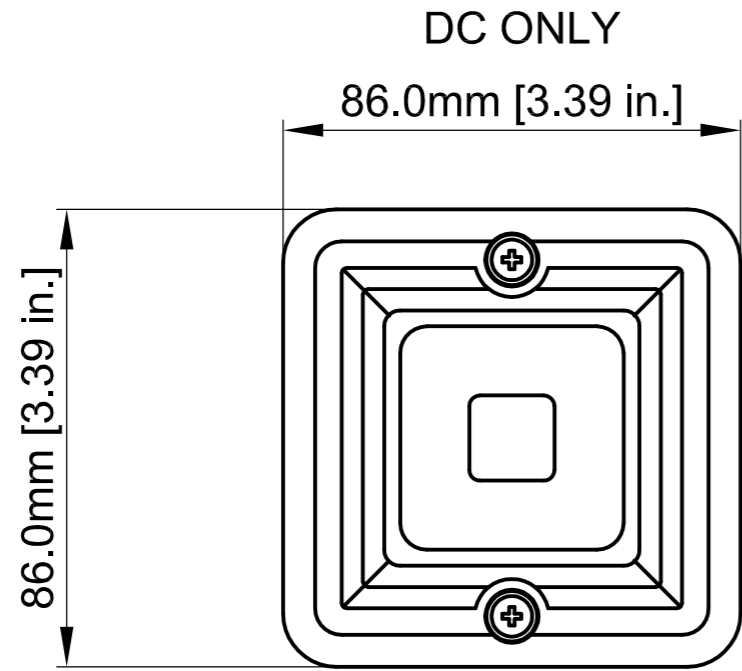


|       |         |                                      |
|-------|---------|--------------------------------------|
| ISSUE | MOD No. | INITIAL/DATE                         |
| A     |         | INTRODUCTION OF PART<br>RSR 02-07-13 |



E2S PART NO.    DESCRIPTION                      DATA REFERENCE

SON2DC...            SON2 ALARM SOUNDER DC    2.21.030

WHERE APPLICABLE '-UL' VERSIONS ARE COVERED BY THIS OUTLINE DRAWING.

E2S PART NO.    DESCRIPTION                      DATA REFERENCE

SON2AC...            SON2 ALARM SOUNDER AC    2.21.030

WHERE APPLICABLE '-UL' VERSIONS ARE COVERED BY THIS OUTLINE DRAWING.

|   |          |      |                      |             |   |  |  |                   |
|---|----------|------|----------------------|-------------|---|--|--|-------------------|
| DRAWING TO BS8888:2000<br>GEOMETRIC TOLERANCES TO ISO1101:1983<br>LINEAR DIMENSIONAL TOLS<br>ANGULAR DIMENSIONAL TOLS | DRAWN    | DATE | SURFACE FINISH       | WEIGHT (Kg) | THIS DRAWING AND ANY INFORMATION OR DESCRIPTIVE MATTER THEREIN IS COMMUNICATED IN CONFIDENCE AND IS THE COPYRIGHT PROPERTY OF EUROPEAN SAFETY SYSTEMS LTD. NEITHER THE WHOLE OR ANY EXTRACT MAY BE DISCLOSED, LOANED, COPIED OR USED FOR MANUFACTURING OR TENDERING PURPOSES WITHOUT THEIR WRITTEN CONSENT. | <br>warning signals<br>EUROPEAN SAFETY SYSTEMS LTD<br>IMPRESS HOUSE<br>MANSELL ROAD<br>ACTON<br>LONDON W3 7QH<br>WWW.E2S.COM | ALL DIMENSIONS IN MM<br>IF IN DOUBT, ASK -<br>DO NOT SCALE   | <br><br><b>A1</b> |
|   | CHECKED  | DATE | MATERIAL             |             |   |  | TITLE <b>SON4 SOUNDER BEACON RANGE -<br/>OUTLINE DRAWING</b> |                   |
|   | APPROVED | DATE | ALTERNATIVE MATERIAL |             |   |  | SCALE <b>1:1</b>   |                   |
| STANDARDS<br>SONORA   |          |      |                      |             | EUROPEAN SAFETY SYSTEMS LTD,<br>AS PER LATEST DATE OF ISSUE SHOWN ABOVE   |  |  |                   |