

E2S PART NO. DESCRIPTION

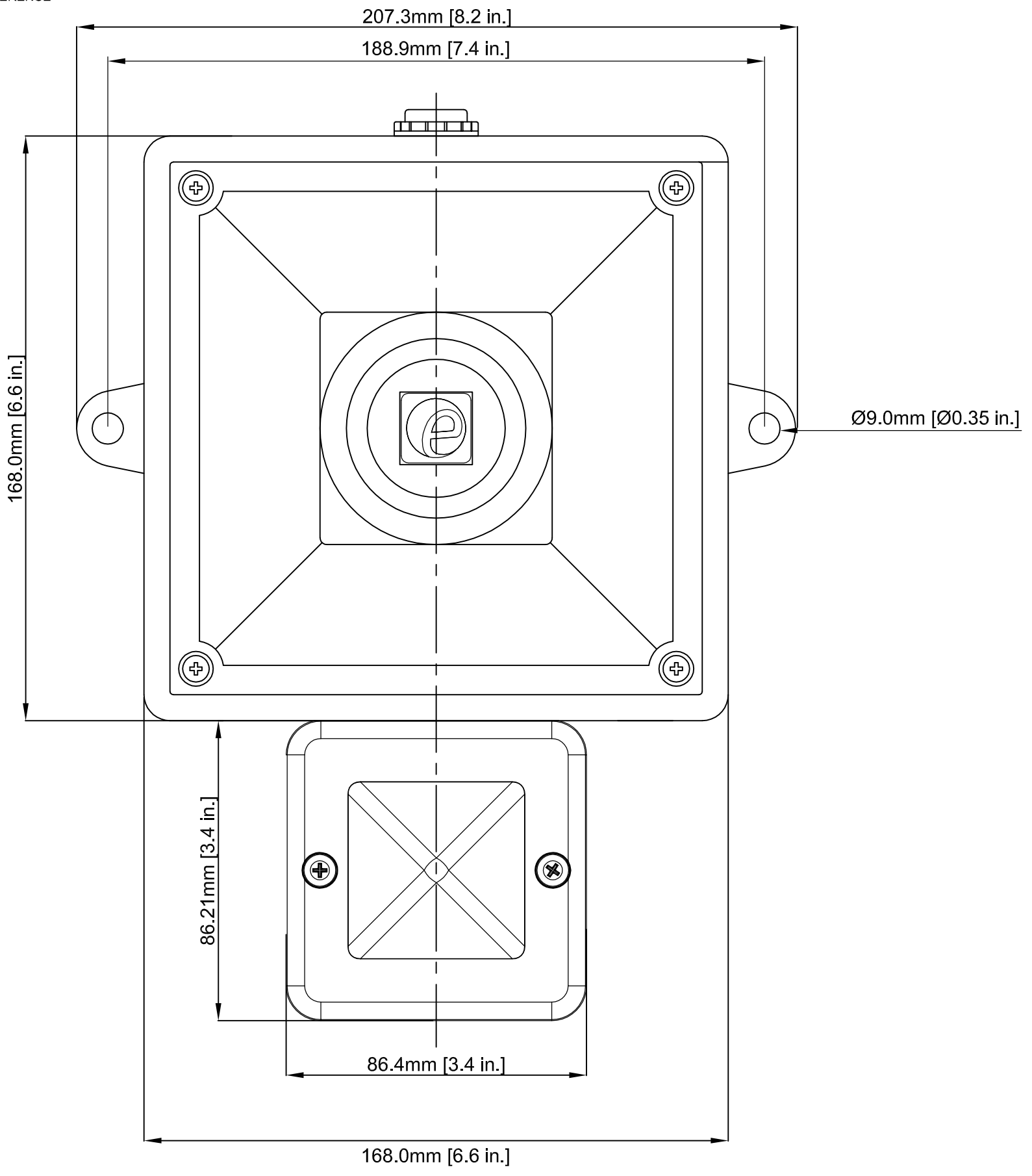
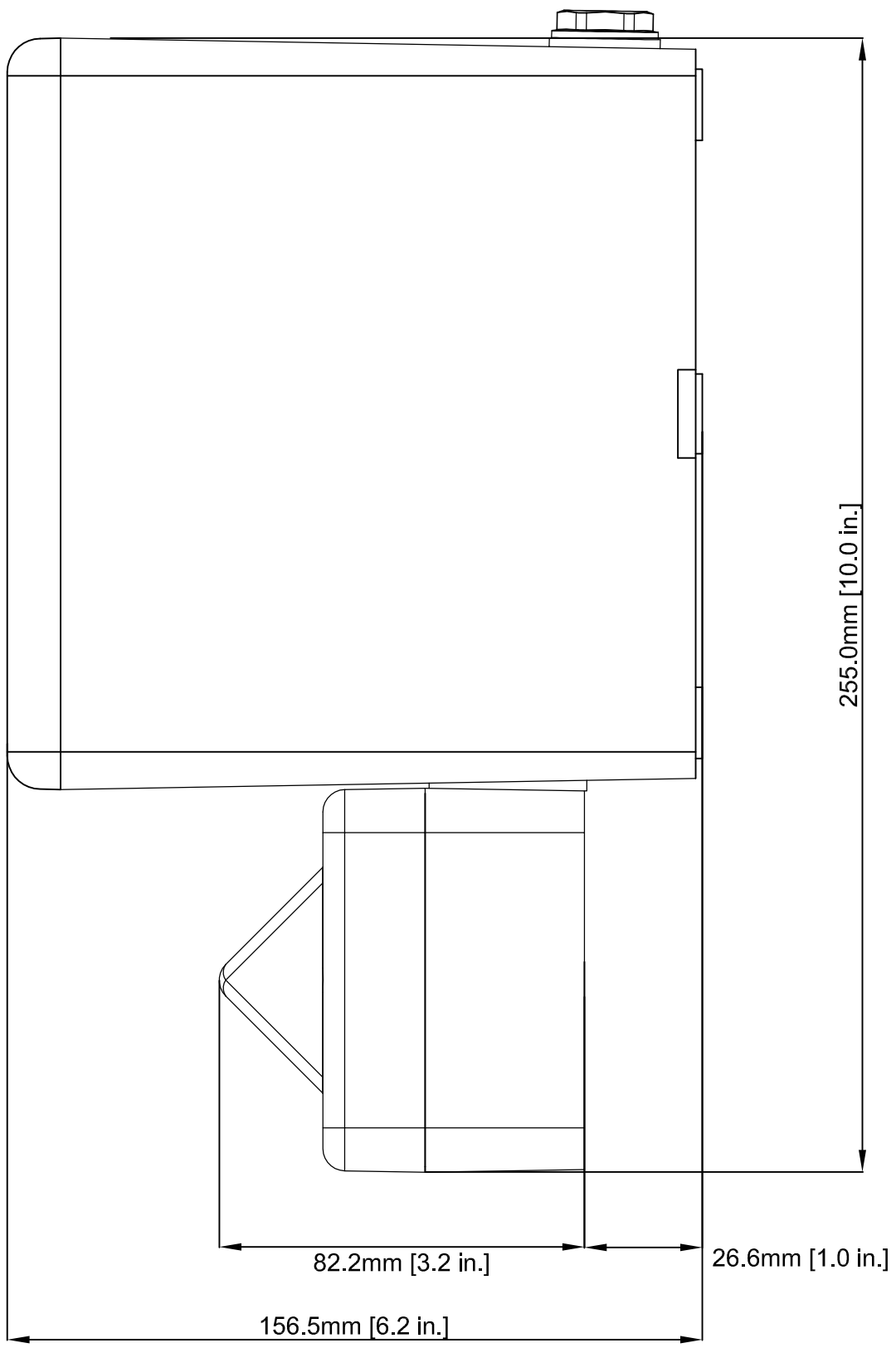
AL112NH... AL112NH ALARM SOUNDER & LED BEACON
 AL112NX... AL112NX ALARM SOUNDER & XENON BEACON (FORWARD FACING BEACON CONFIGURATION)

DATA REFERENCE

2.31.190
 2.31.180

WHERE APPLICABLE '-UL' VERSIONS ARE COVERED BY THIS OUTLINE DRAWING.

ISSUE	MOD No.	INITIAL/DATE
A		INTRODUCTION OF PART RSR 10-06-13



DRAWING TO BS8888:2000 GEOMETRIC TOLERANCES TO ISO1101:1983 LINEAR DIMENSIONAL TOLS ANGULAR DIMENSIONAL TOLS	DRAWN	DATE	SURFACE FINISH	WEIGHT (Kg)	THIS DRAWING AND ANY INFORMATION OR DESCRIPTIVE MATTER THEREIN IS COMMUNICATED IN CONFIDENCE AND IS THE COPYRIGHT PROPERTY OF EUROPEAN SAFETY SYSTEMS LTD. NEITHER THE WHOLE OR ANY EXTRACT MAY BE DISCLOSED, LOANED, COPIED OR USED FOR MANUFACTURING OR TENDERING PURPOSES WITHOUT THEIR WRITTEN CONSENT.	 warning signals EUROPEAN SAFETY SYSTEMS LTD IMPRESS HOUSE MANSELL ROAD ACTON LONDON W3 7QH WWW.E2S.COM	ALL DIMENSIONS IN MM IF IN DOUBT, ASK - DO NOT SCALE	 A2
	CHECKED	DATE	MATERIAL				TITLE AL112N RANGE - COMBINED SOUNDER/BEACON UNIT OUTLINE	
	APPROVED	DATE	ALTERNATIVE MATERIAL				SCALE: 1:1	
STANDARDS	R. S. RAIT	10-06-13			© EUROPEAN SAFETY SYSTEMS LTD. AS PER LATEST DATE OF ISSUE SHOWN ABOVE			
	R. N. POTTS	10-06-13						
	R. N. POTTS	10-06-13						