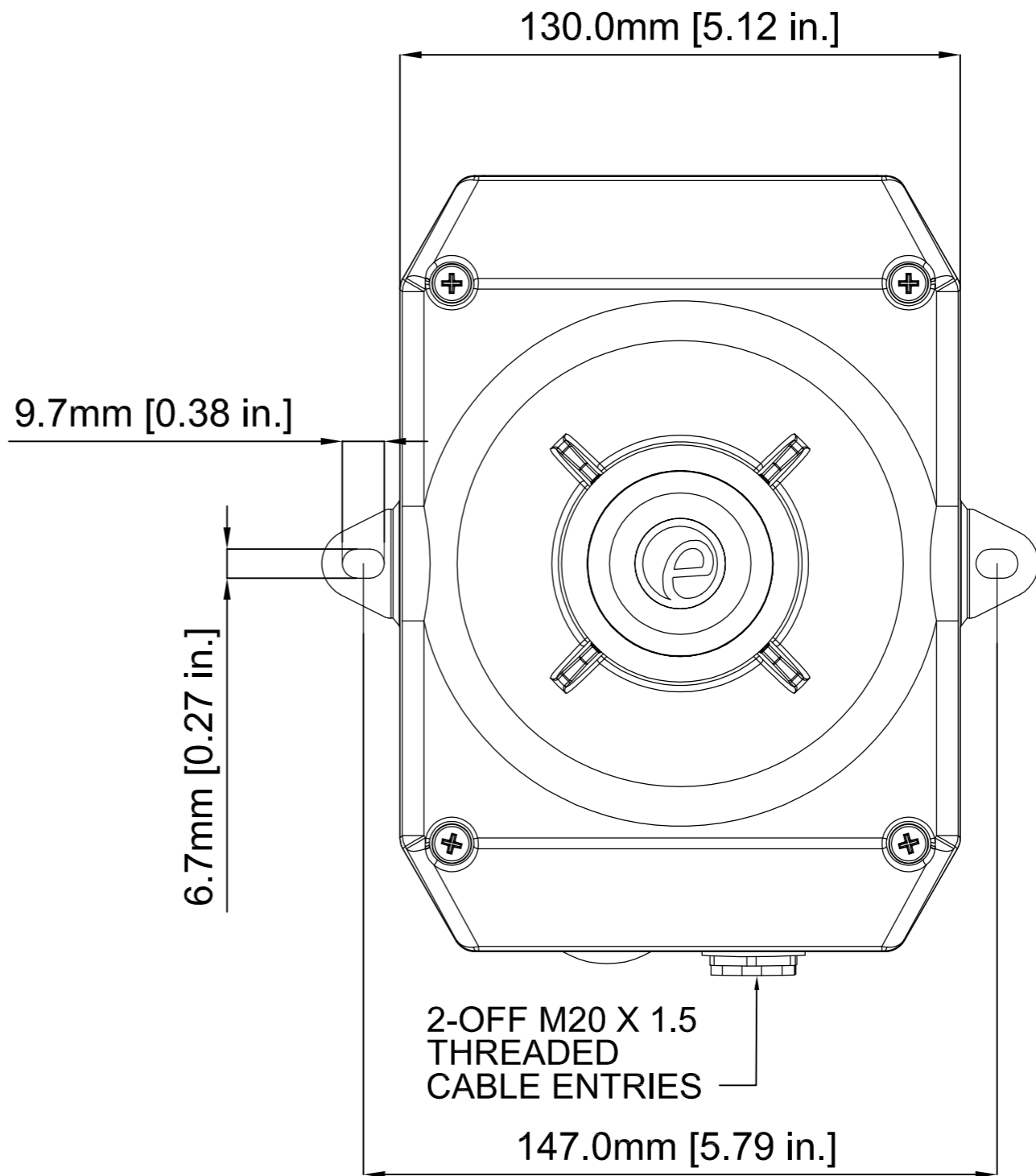
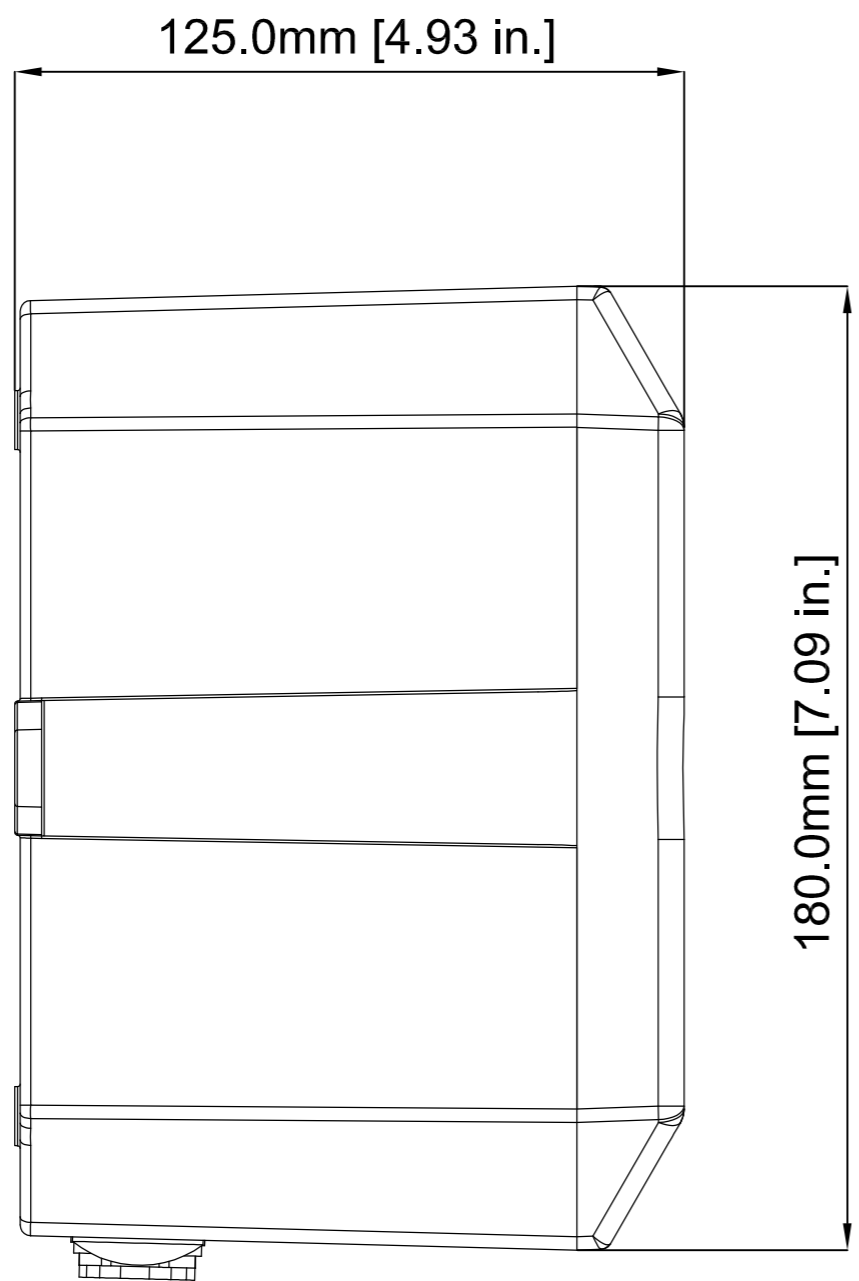


ISSUE	MOD No.	REASON - INITIAL - DATE
A		INTRODUCTION - RSR - 08/11/12
B		UPDATED TO DUAL DIMS. - RSR - 28/06/13
C		D2xC1X ADDED. - RSR - 05/09/13
D		D2xC1X REMOVED. - RSR - 08/04/14



E2S PART NO.	DESCRIPTION	DATA REFERENCE
D105...	D105 ALARM SOUNDER	2.21.100
D105AX...	D105AX APPELLO X	2.22.030
D112...	D112 ALARM SOUNDER	2.21.110
IS-D105...	IS-D105 ALARM SOUNDER	1.12.030

WHERE APPLICABLE '-UL' VERSIONS ARE COVERED BY THIS OUTLINE DRAWING.

DRAWING TO BS8888:2000 GEOMETRIC TOLERANCES TO ISO1101:1983 LINEAR DIMENSIONAL TOLS ANGULAR DIMENSIONAL TOLS	DRAWN R.S.RAIT	DATE 08/11/12	SURFACE FINISH FINISH	WEIGHT (Kg)	THIS DRAWING AND ANY INFORMATION OR DESCRIPTIVE MATTER THEREIN IS COMMUNICATED IN CONFIDENCE AND IS THE COPYRIGHT PROPERTY OF EUROPEAN SAFETY SYSTEMS LTD. NEITHER THE WHOLE OR ANY EXTRACT MAY BE DISCLOSED, LOANED, COPIED OR USED FOR MANUFACTURING OR TENDERING PURPOSES WITHOUT THEIR WRITTEN CONSENT.	 EUROPEAN SAFETY SYSTEMS LTD IMPRESS HOUSE MANSELL ROAD ACTON LONDON W3 7QH WWW.E2S.COM	ALL DIMENSIONS IN MM IF IN DOUBT, ASK - DO NOT SCALE		A2
	CHECKED R.N.POTTS	DATE 08/11/12							
STANDARDS METAL SOUNDERS	APPROVED R.N.POTTS	DATE 08/11/12	ALTERNATIVE MATERIAL	 EUROPEAN SAFETY SYSTEMS LTD. AS PER LATEST DATE OF ISSUE SHOWN ABOVE	 TITLE METAL SOUNDER OUTLINE	SCALE 1:1	SHEET 1 OF 1	DRAWING NUMBER SK0246	