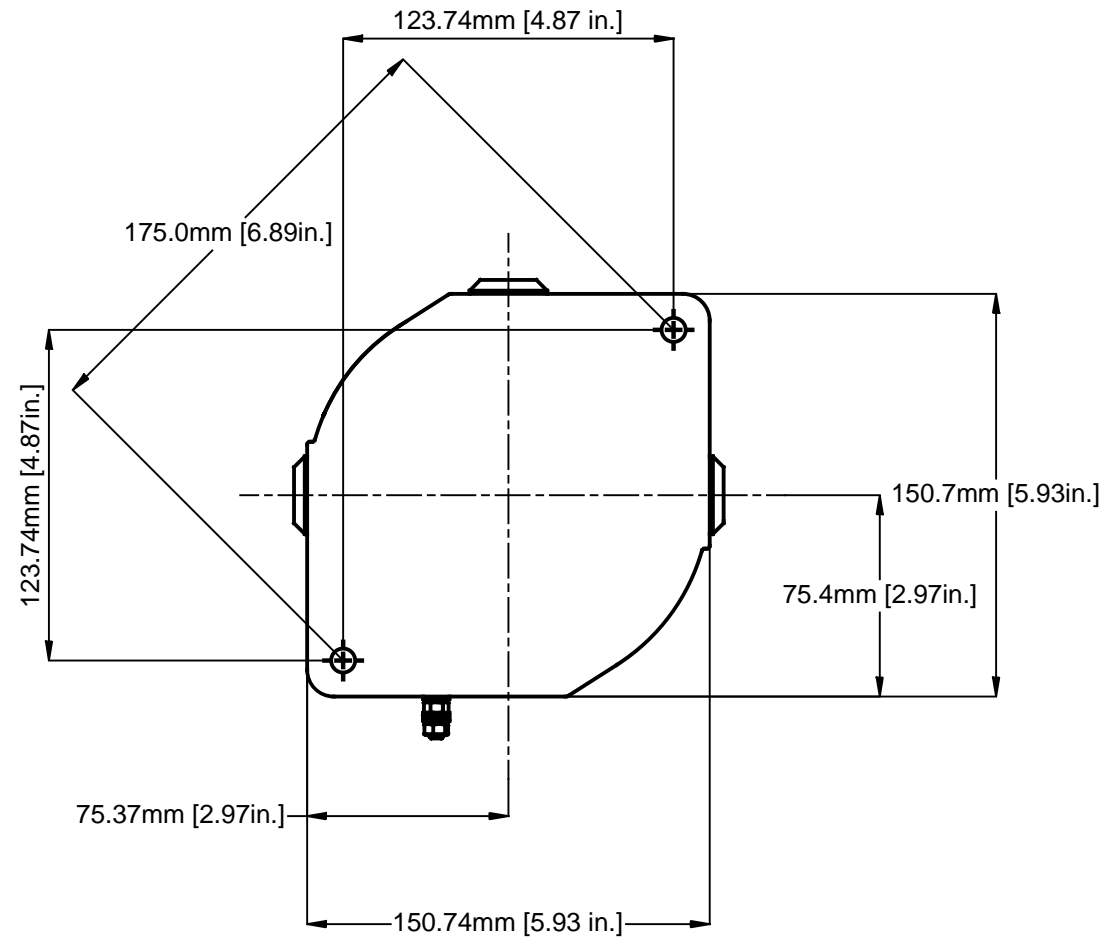
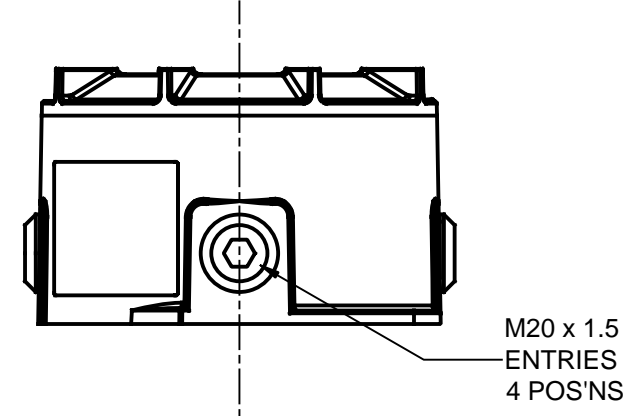
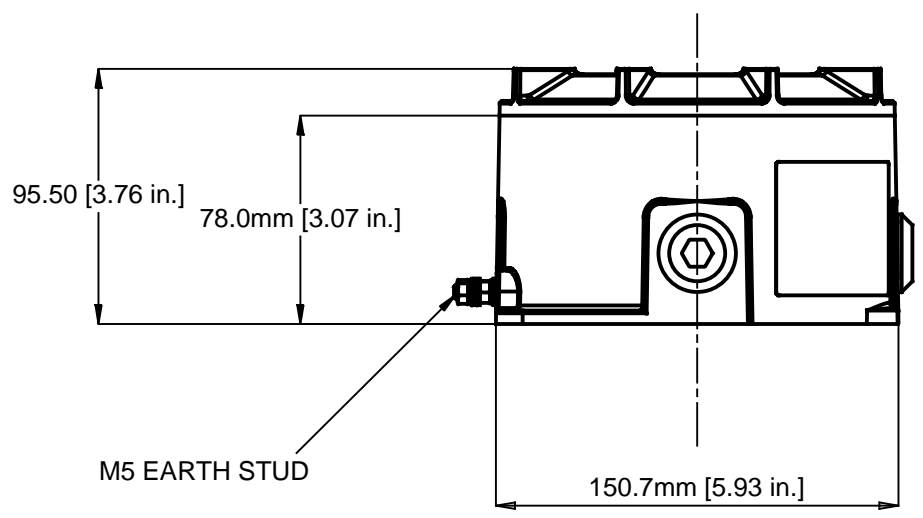


ISSUE	MOD No.	REASON - INITIAL - DATE
A		INTRODUCTION OF PART MV 06/04/2016
B		DATA REFERENCE CORRECTED TO 1-25-020 MV 19/05/2016



E2S PART NO.	DESCRIPTION	DATA REFERENCE
STExJ2...	STExJ2 JUNCTION BOX (Ex d VERSION)	1-25-020

DIMENSIONS IN MM & [INCHES]

DRAWING TO BS8888:2000 GEOMETRIC TOLERANCES TO ISO1101:1983 LINEAR DIMENSIONAL TOLS ANGULAR DIMENSIONAL TOLS	DRAWN	DATE	SURFACE FINISH	WEIGHT (Kg)	THIS DRAWING AND ANY INFORMATION OR DESCRIPTIVE MATTER THEREIN IS COMMUNICATED IN CONFIDENCE AND IS THE COPYRIGHT PROPERTY OF EUROPEAN SAFETY SYSTEMS LTD. NEITHER THE WHOLE OR ANY EXTRACT MAY BE DISCLOSED, LOANED, COPIED OR USED FOR MANUFACTURING OR TENDERING PURPOSES WITHOUT THEIR WRITTEN CONSENT.	 EUROPEAN SAFETY SYSTEMS LTD. IMPRESS HOUSE MANSELL ROAD ACTON LONDON W3 7QH WWW.E2S.COM	ALL DIMENSIONS IN MM IF IN DOUBT, ASK - DO NOT SCALE	 A2
	CHECKED	DATE						
STANDARDS STEx	APPROVED	DATE	ALTERNATIVE MATERIAL	EUROPEAN SAFETY SYSTEMS LTD. AS PER LATEST DATE OF ISSUE SHOWN ABOVE		TITLE STExJ2 Ex d RANGE - JUNCTION BOX OUTLINE SCALE 1:2 SHEET 1 OF 1 DRAWING NUMBER SK0388		
	R.N.POTTS	06/04/16						