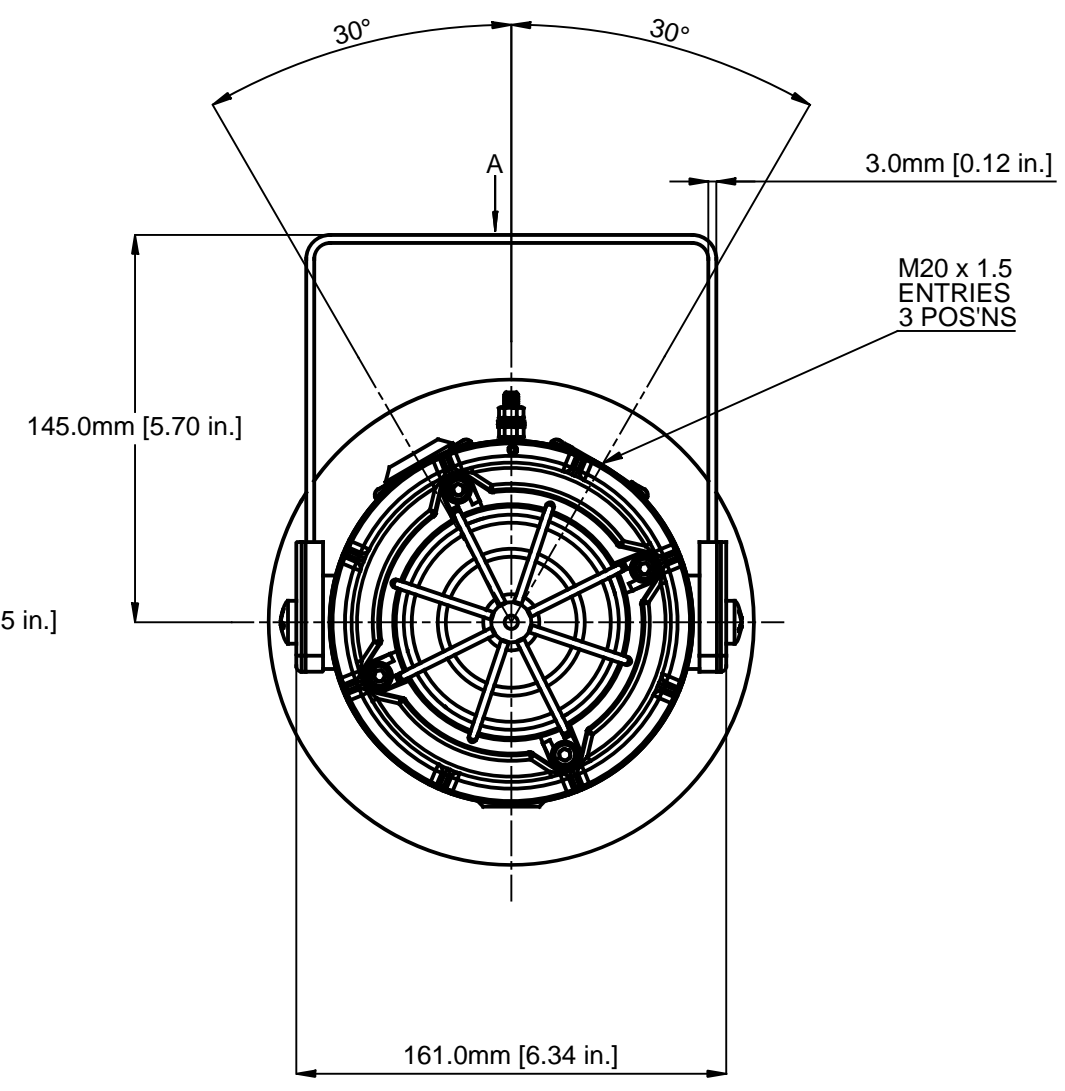
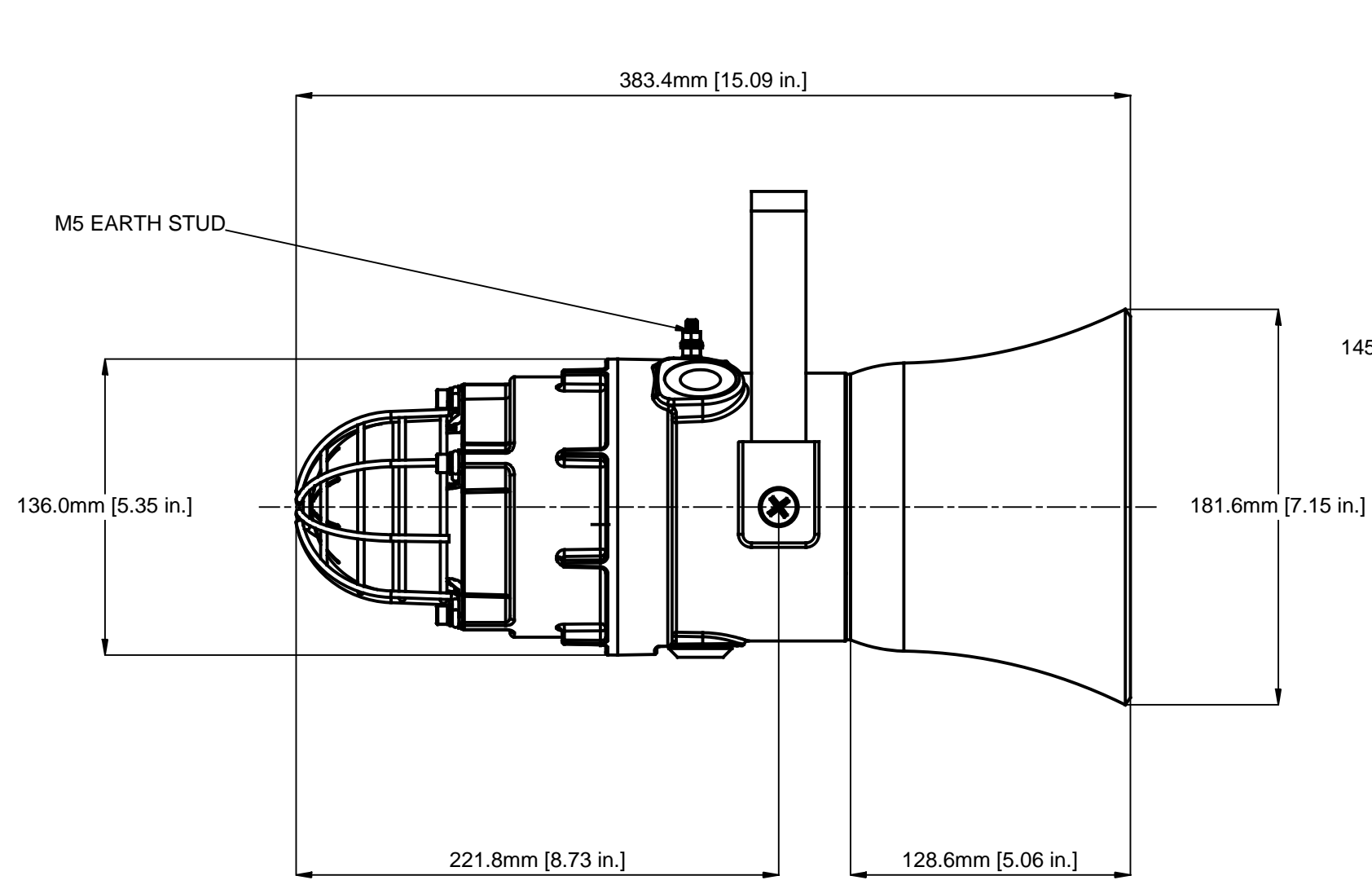
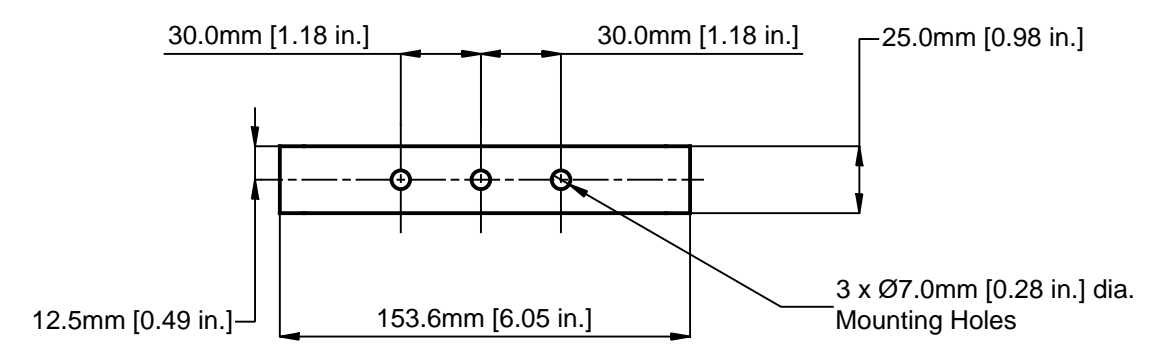


ISSUE	MOD No.	REASON - INITIAL - DATE
A		INTRODUCTION OF PART MV 24-06-15



E2S PART NO.	DESCRIPTION	DATA REFERENCE
STExC1F...	STExC1 ALARM SOUNDERS (Ex d VERSION)	1-23-090



DIMENSIONS IN MM & [INCHES]

DRAWING TO BS8888:2000 GEOMETRIC TOLERANCES TO ISO1101:1983 LINEAR DIMENSIONAL TOLS ANGULAR DIMENSIONAL TOLS	DRAWN	DATE	SURFACE FINISH	WEIGHT (Kg)	THIS DRAWING AND ANY INFORMATION OR DESCRIPTIVE MATTER THEREIN IS COMMUNICATED IN CONFIDENCE AND IS THE COPYRIGHT PROPERTY OF EUROPEAN SAFETY SYSTEMS LTD. NEITHER THE WHOLE OR ANY EXTRACT MAY BE DISCLOSED, LOANED, COPIED OR USED FOR MANUFACTURING OR TENDERING PURPOSES WITHOUT THEIR WRITTEN CONSENT.	 EUROPEAN SAFETY SYSTEMS LTD IMPRESS HOUSE MANSELL ROAD ACTON LONDON W3 7QH WWW.E2S.COM	ALL DIMENSIONS IN MM IF IN DOUBT, ASK - DO NOT SCALE		A2	
	CHECKED	DATE								MATERIAL
	STANDARDS	APPROVED	DATE	ALTERNATIVE MATERIAL						EUROPEAN SAFETY SYSTEMS LTD. © AS PER LATEST DATE OF ISSUE SHOWN ABOVE
STEx	M.VYAS	24-06-15					STExC1 Ex d RANGE - COMBINED OUTLINE	1:1	1 OF 1	SK0387