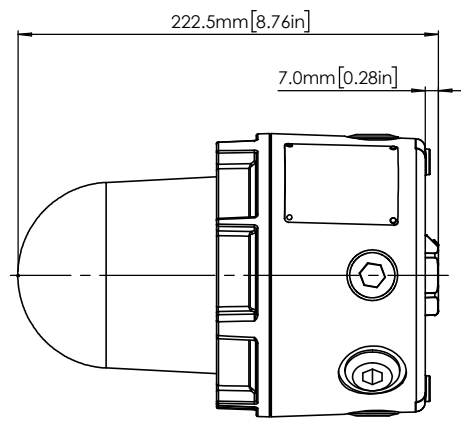
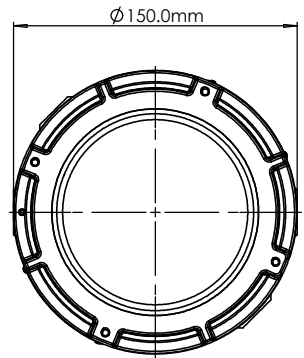
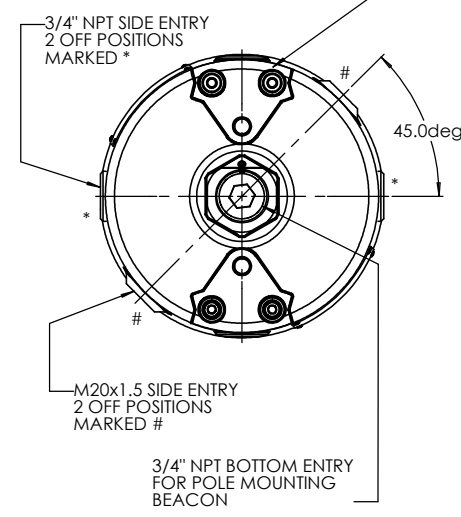


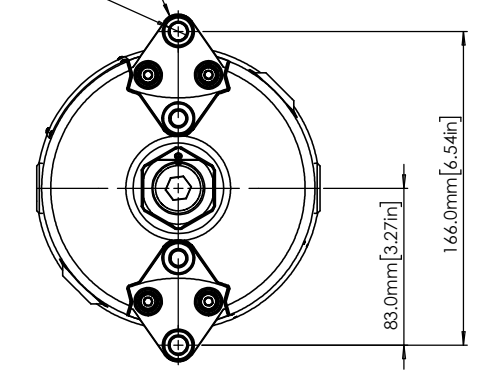
ISSUE	MOD No.	REASON - INITIAL - DATE
1		INTRODUCTION RNP 09-04-2018



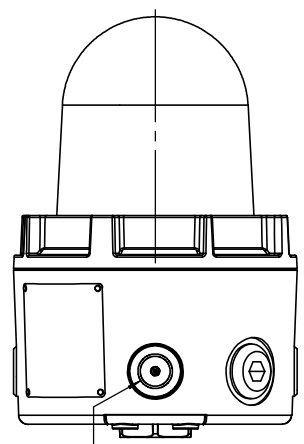
2 OFF FEET SUPPLIED IN STOWED POSITION
SUITABLE FOR POLE OR BRACKET
MOUNTING BEACON
RETAINED BY 2 OFF M5 SCREWS PER FOOT



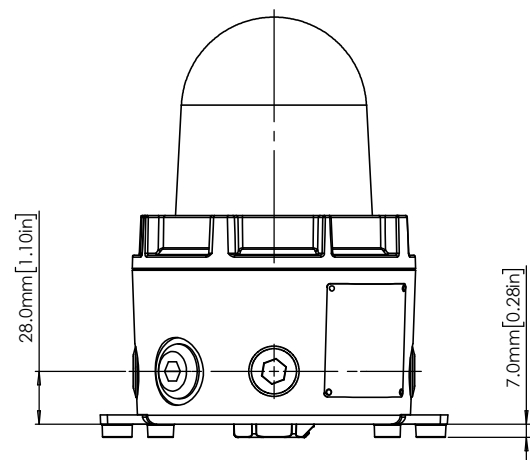
2 OFF FEET CONFIGURED WITH MOUNTING
FEET SET OUT FOR SURFACE MOUNTING
BEACON
RETAINED BY 2 OFF M5 SCREWS PER FOOT



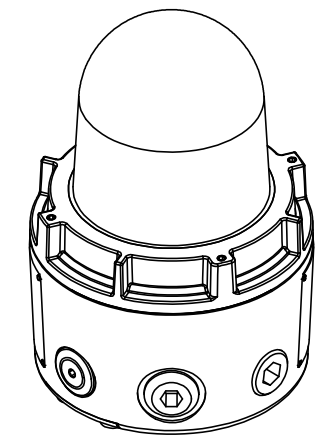
BASE CONFIGURED WITH MOUNTING
FEET SET OUT FOR SURFACE MOUNTING
BEACON



BRACKET MOUNTING COVER BOSSES
2 POSITIONS
REMOVED WHEN OPTIONAL BRACKET
IS TO BE MOUNTED



BASE CONFIGURED WITH MOUNTING
FEET SET OUT FOR SURFACE MOUNTING
BEACON



E2S PART No.	DESCRIPTION	DATA REFERENCE
D1xB2XH1DC024	D1xB2 10J XENON BEACON PUBLIC MODE UL1971	1-21-200
D1xB2XH2DC024	D1xB2 21J XENON BEACON PUBLIC MODE UL1971	1-21-201

DRAWING TO BS8888:2000 GEOMETRIC TOLERANCES TO ISO1101:1983 LINEAR DIMENSIONAL TOLS ANGULAR DIMENSIONAL TOLS	DRAWN	R.N.POTTS	DATE	09-04-2018
	CHECKED	B.ISARD	DATE	09-04-2018
	APPROVED	R.N.POTTS	DATE	09-04-2018

SURFACE FINISH	WEIGHT (kg)
MATERIAL	
ALTERNATIVE MATERIAL	

THIS DRAWING AND ANY INFORMATION OR DESCRIPTIVE
MATTER THEREIN IS COMMUNICATED IN CONFIDENCE AND
IS THE COPYRIGHT PROPERTY OF EUROPEAN SAFETY
SYSTEMS LTD. NEITHER THE WHOLE OR ANY EXTRACT MAY
BE DISCLOSED, LOANED, COPIED OR USED FOR
MANUFACTURING OR TENDERING PURPOSES WITHOUT THEIR
WRITTEN CONSENT.

EUROPEAN SAFETY SYSTEMS LTD.
AS PER LATEST DATE OF ISSUE SHOWN ABOVE



ALL DIMENSIONS IN MM IF IN DOUBT, ASK - DO NOT SCALE		A2
TITLE D1xB2XH1 XH2 BEACON - PUBLIC MODE FIRE UL1971 OUTLINE DRAWING		
SCALE 1:1	SHEET 1 OF 1	DRAWING NUMBER D191-05-251