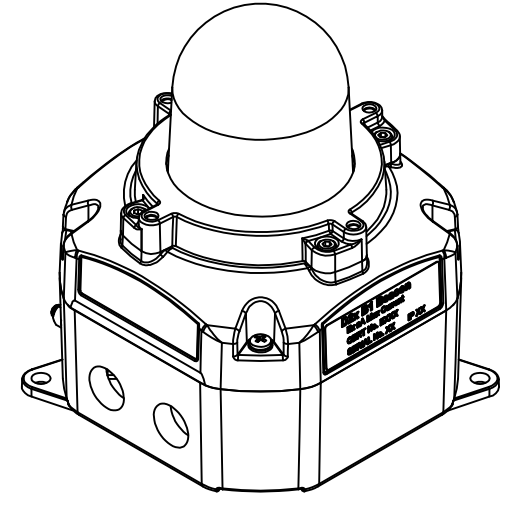
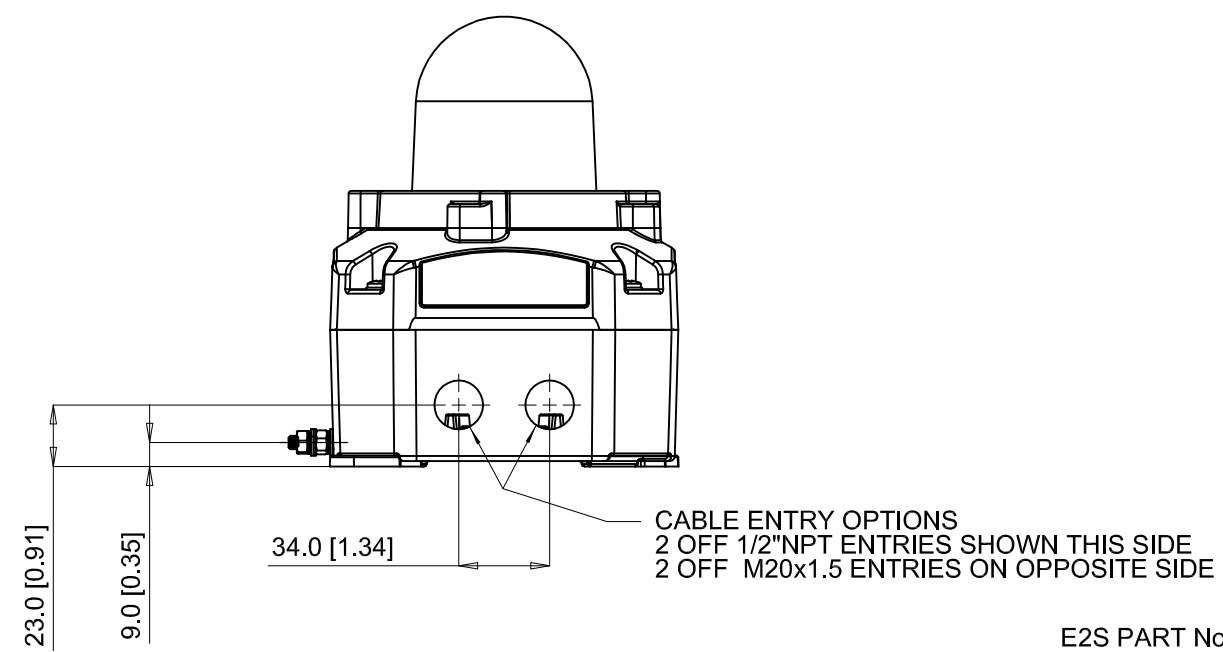
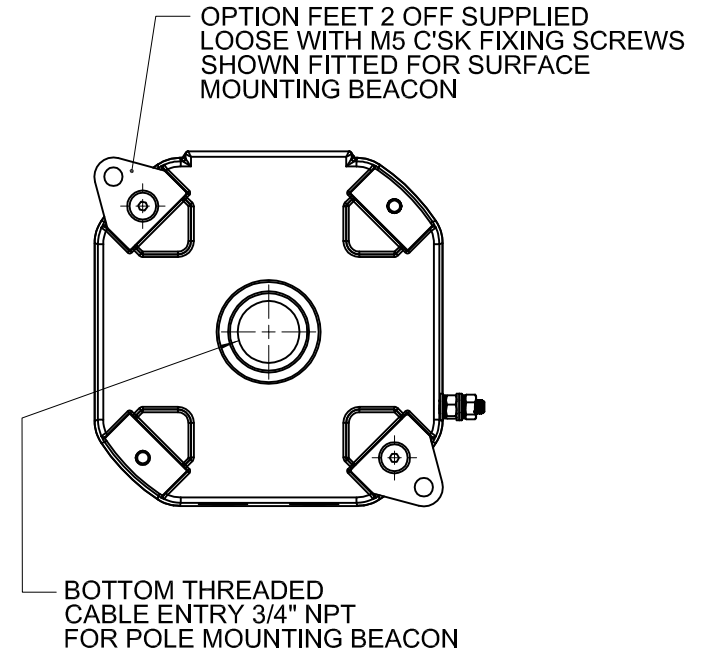
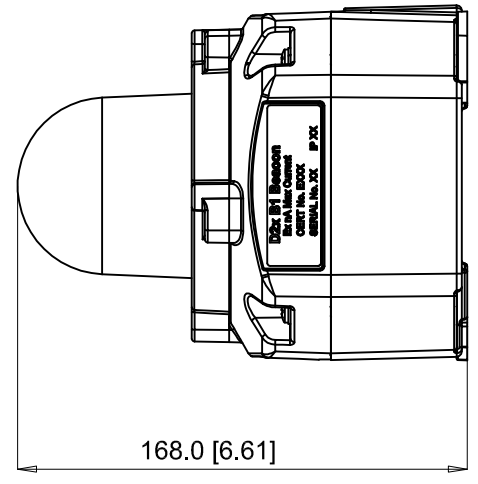
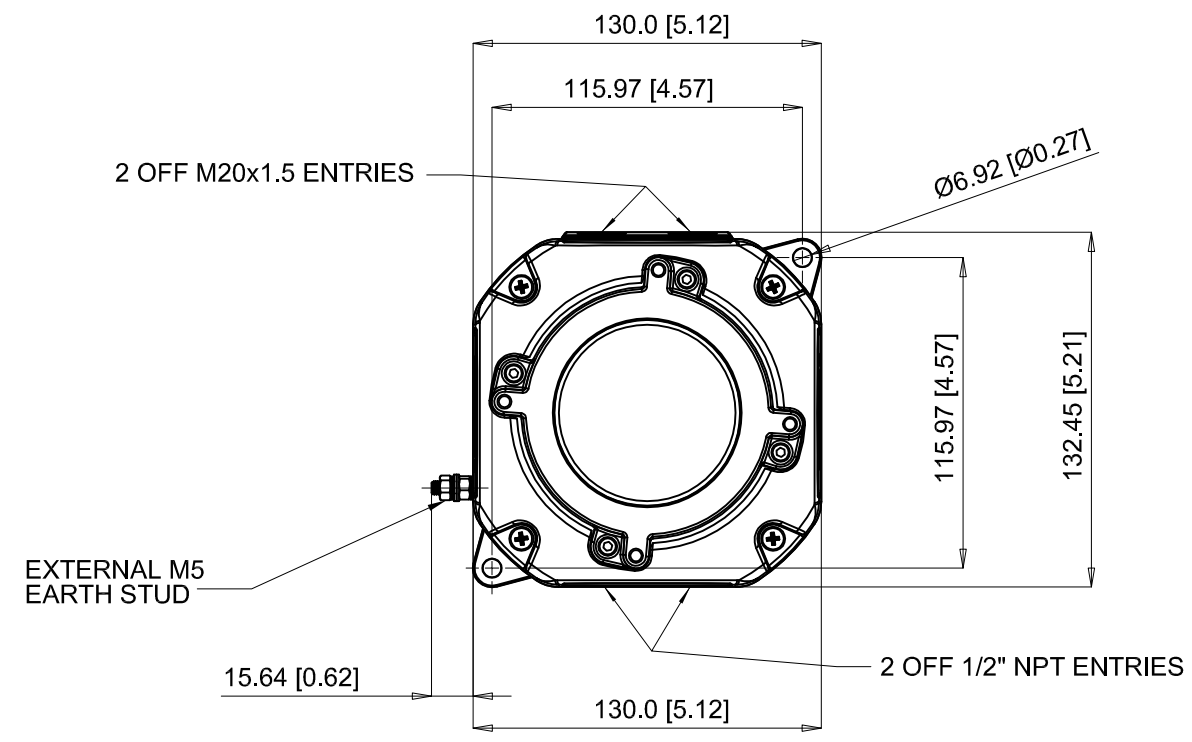


ISSUE	MOD No.	REASON - INITIAL - DATE
A		INTRODUCTION RNP 23-05-2017
B		DATA REF UPDATES RNP 12-10-2017
C		ADDED XH1 & XH2 RSR 08-02-2018
D		AMENDED CANDELA RSR 05-06-2018



E2S PART No.	DESCRIPTION	DATA REFERENCE
D2xB1LD2DC024MN0H1R/C	D2xB1LD2-H LED BEACON PUBLIC FIRE MODE 38.38cd at 1Hz UL1971	1-31-060
D2xB1XH1DC024MN0H1R/C	D2xB1XH1 5J XENON BEACON PUBLIC FIRE MODE 18.18cd at 1Hz UL1971	1-31-070
D2xB1XH2DC024MN0H1R/C	D2xB1XH2 10J XENON BEACON PUBLIC FIRE MODE 70.29cd at 1Hz UL1971	1-31-080

DRAWING TO BS8888:2000 GEOMETRIC TOLERANCES TO ISO1101:1983 LINEAR DIMENSIONAL TOLS ANGULAR DIMENSIONAL TOLS	DRAWN R.N.POTTS	DATE 23-05-2017	SURFACE FINISH	WEIGHT (Kg)	THIS DRAWING AND ANY INFORMATION OR DESCRIPTIVE MATTER THEREIN IS COMMUNICATED IN CONFIDENCE AND IS THE COPYRIGHT PROPERTY OF EUROPEAN SAFETY SYSTEMS LTD. NEITHER THE WHOLE OR ANY EXTRACT MAY BE DISCLOSED, LOANED, COPIED OR USED FOR MANUFACTURING OR TENDERING PURPOSES WITHOUT THEIR WRITTEN CONSENT. EUROPEAN SAFETY SYSTEMS LTD. AS PER LATEST DATE OF ISSUE SHOWN ABOVE	EUROPEAN SAFETY SYSTEMS LTD IMPRESS HOUSE MANSELL ROAD ACTON LONDON W3 7QH WWW.E2S.COM	ALL DIMENSIONS IN MM IF IN DOUBT, ASK - DO NOT SCALE		A2
	CHECKED B.ISARD	DATE 23-05-2017	MATERIAL	TITLE D2xB1LD2 BEACON - PUBLIC MODE FIRE UL1971 OUTLINE DRAWING					
	APPROVED R.N.POTTS	DATE 23-05-2017	ALTERNATIVE MATERIAL	SCALE 1:1			SHEET 1 OF 1		