

1) Warnings



- DO NOT OPEN WHEN AN EXPLOSIVE ATMOSPHERE IS PRESENT
- DO NOT OPEN WHEN ENERGISED
- POTENTIAL ELECTROSTATIC CHARGING HAZARD - CLEAN ONLY WITH A DAMP CLOTH
- HIGH VOLTAGE SHOCK HAZARD. WAIT 5 MINUTES AFTER REMOVING POWER BEFORE OPENING THE ENCLOSURE
- DO NOT PAINT
- TO REDUCE THE RISK OF IGNITION OF HAZARDOUS ATMOSPHERES, CONDUIT RUNS MUST HAVE A SEALING FITTING CONNECTED WITHIN 18 INCHES OF ENCLOSURE
- TO PREVENT IGNITION OF GROUP A, B, C AND D ATMOSPHERES - SEE INSTRUCTION FOR CHEMICAL COMPATIBILITY

Avertissement:

- NE PAS OUVRIR UN PRESENCE D'ATMOSPHERE EXPLOSIVE
- NE PAS OUVRIR ENERGIE
- DANGER POTENTIEL CHARGE ÉLECTROSTATIQUE - NETTOYER UNIQUEMENT AVEC UN CHIFFON HUMIDE
- HAUT TENSION, RISK DE CHOC. ATTENDEZ 5 MINUTES APRES AVOIR DEBRANCHE L'ALIMENTATION AVANT D'OUVRIR LA BOITIER
- NE PAS PEINTURER
- POUR RÉDUIRE LE RISQUE D'INFLAMMATION DES ATMOSPHERES DANGEREUSES, LES CONDUITES DE CONDUIT DOIVENT AVOIR UN RACCORD D'ÉTANCHÉITÉ RACCORDÉ À MOINS DE 18 POUCHES DE L'ENFERMEMENT
- POUR PRÉVENIR L'INFLAMMATION DES ATMOSPHERES DES GROUPES A, B, C ET D-VOIR L'INSTRUCTION POUR LA COMPATIBILITÉ CHIMIQUE

2) Rating & Marking Information

2.1 Public Mode Fire Alarm Ratings

The D1xB2XH2 is certified for use as public mode visual alarm devices in accordance with UL1971 Third Edition and UL1638 Fifth Edition / CAN/ULC-S526 Fourth Edition.

The beacon must be set to one of the certified flash patterns of 1Hz, 1.33Hz or 1.5Hz (for DIP switch settings see section 10). For light output ratings see section 11.

2.2 NEC & CEC Class / Division Ratings for US / Canada

The D1xB2XH2 Xenon beacon complies with the following standards:

Type Approval Standards:

UL 1203

CSA C22.2 No. 30-M1986

CSA C22.2 No. 25-1966

UL1638 & UL1971

CAN/ULC S526

The D1xB2XH2 21J Xenon Beacon is rated as follows:

Class / Division Ratings for US

Class I Div 1 Group ABCD T4 Ta -55°C to +80°C

Class I Div 1 Group ABCD T5 Ta -55°C to +55°C

Class I Div 1 Group ABCD T6 Ta -55°C to +40°C

Class / Division Ratings for Canada

Class I Div 1 Group CD T4 Ta -55°C to +80°C

Class I Div 1 Group CD T5 Ta -55°C to +55°C

Class I Div 1 Group CD T6 Ta -55°C to +40°C

Class / Division Ratings for US and Canada

Class II Div 1 Group EFG T4 Ta -55°C to +80°C

Class II Div 1 Group EFG T4A Ta -55°C to +60°C

Class III Div 1 Ta -55°C to +80°C

Class / Zone ratings for US

Class I Zone 1 AEx db IIC T4 Ta -55°C to +80°C

Class I Zone 1 AEx db IIC T5 Ta -55°C to +55°C

Class I Zone 1 AEx db IIC T6 Ta -55°C to +40°C

Zone 21 AEx tb IIIC 131°C Ta -55°C to +80°C

Class / Zone ratings for Canada

Ex db IIC T4 Ta -55°C to +80°C

Ex db IIC T5 Ta -55°C to +55°C

Ex db IIC T6 Ta -55°C to +40°C

Ex tb IIIC 131°C Ta -55°C to +80°C

The certification approval has validated continuous use up to 38°C ambient and are for transient use up to 80°C ambient

Installation must be carried out in compliance with the National Electric Code / Canadian Electric Code

2.6 Ingress Protection Ratings

The product is rated for ingress Protection as follows:

IP rating per EN60529: IP66

Type rating per UL50E / NEMA250: 4 / 4X / 3R / 13

To maintain the ingress protection rating, the cable entries must be fitted with suitably rated, certified cable entry and/or blanking devices during installation.

2.7 Electrical Ratings

Model No.	Voltage Range
D2xB1XH2	20-28Vdc

Table 1: Electrical Ratings

It is important that a suitable power supply is used to run the equipment. The power supply selected must have the necessary capacity to provide the input current to all the units.

The input current will vary according to the voltage input level.

For detailed max and surge current ratings of the device please see Section 12.

3) Special Conditions of Use

To maintain the ingress protection rating and mode of protection, the cable entries must be fitted with suitably rated cable entry and/or blanking devices during installation. If conduit is used for installation, seal conduit within 18 inches from the enclosure.

If entries are fitted with adaptors they must be suitably rated for the application. Fitting of blanking elements into adaptors is not permitted.

Installation

There are no restrictions on unit orientation.

Safe Installation Requirements

Check that the 'O' ring seal is in place before replacing the explosionproof cover.

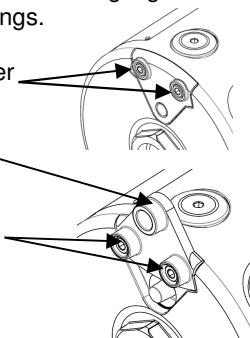
4) Location and Mounting

The location of the beacon should be made with due regard to the area over which the warning signal must be visible. It should only be fixed to services that can carry the weight of the unit.

The D1xB2XH2 beacon can be mounted using one of three methods.

1. The beacon can be surface mounted by removing, rotating and reinstalling the stowed mounting lugs. These are suitable for 6mm diameter fixings.

- a. Remove 2 x M5 fasteners per mounting lug
- b. Reverse and rotate lug and reseal onto enclosure
- c. Secure lug using the 2 x M5 fasteners



2. Alternatively the beacon can be conduit mounted using the 3/4"NPT entry on the base of the unit.
3. Additionally, the beacon can be mounted using the ratchet adjustable stainless-steel wall bracket assembly. This is available as an accessory – part code: SP77-0001.

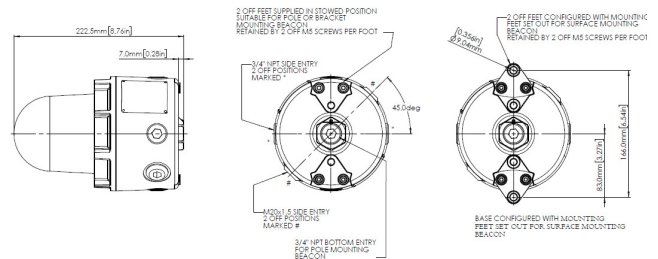


Fig. 1 Fixing Location for Public Mode Beacon

5) Access to the Enclosure



Warning – High voltage may be present, risk of electric shock. DO NOT open when energised, disconnect power before opening.



Warning – Hot surfaces. External surfaces and internal components may be hot after operation, take care when handling the equipment.

In order to connect the electrical supply cables to the beacon, it is necessary to open the explosion proof enclosure. Remove the glass dome cover assembly to gain access to the chamber. This can be achieved by unscrewing the glass dome cover, taking extreme care not to damage the threads when doing so.

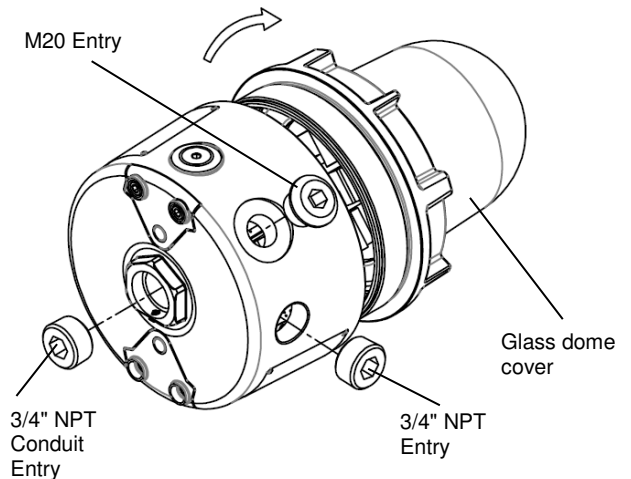


Fig. 2 Accessing the Enclosure.

On completion of the cable wiring installation the threads should be inspected to ensure that they are clean and that they have not been damaged during installation. Also check that the 'O' ring seal is in place, on the thread diameter and in contact with the flat face of the glass dome cover casting. When replacing the glass dome cover assembly ensure it is tightened fully

6) Selection of Cable, Cable Glands, Blanking Elements & Adapters

When selecting the cable size, consideration must be given to the input current that each unit draws (see section 12), the number of beacons on the line and the length of the cable runs. The cable size selected must have the necessary capacity to provide the input current to all of the beacons connected to the line.

When selecting the cable size consideration must be given to the voltage drop over the length of the cable run to ensure the min. input voltage at the point of use (voltage range, see section 12)

The voltage drop depends on:

- The total current draw of the devices installed on this cable run
- The wire size and total length of the cable run, determining the total resistance of this cable run
- The minimum output voltage supplied by the power supply

The voltage drop and input voltage at the point of use can be calculated as follows:

$$\text{Total Wire resistance} = \frac{\text{Wire resistance}}{1000\text{ft}} \times \text{length of cable run} \times 2$$

(length of cable run needs to be multiplied by two to account for two wires going to and from the unit)

$$\text{Total current draw} = \text{Current draw per unit} \times \text{number of units}$$

$$\text{Voltage Drop} = \text{Total current draw} \times \text{Total wire resistance}$$

$$\text{Minimum output of power supply} = \text{Min. voltage at point of use} + \text{voltage drop}$$

The entries are 2-off M20 x 1.5 thread, 2-off 1/2" NPT thread & 1-off 3/4" NPT thread

For ambient temperatures over +45°C the cable entry temperature may exceed +70°C. Therefore suitable heat resisting cables and cable glands, rated to min. 75°C must be used.

If a high IP (Ingress Protection) rating is required then a suitable sealing washer must be fitted under the cable glands or blanking plugs.

For use in explosive dust atmospheres, a minimum ingress protection rating of IP6X must be maintained.

For use in explosive gas atmospheres, a minimum ingress protection rating of IP54 must be maintained.

NPT plugs should be greased before insertion.

7) Cable Connections

Electrical Connections are to be made into the terminal blocks using solid or stranded wire, sizes 0.5-2.5mm² / AWG 20-14. Wire insulation needs to be stripped 6-7mm. Wires may be fitted securely with crimped ferrules. Terminal screws

need to be tightened down with a tightening torque of 0.4 Nm / 3.5 Lb-in.

See section 5 of this manual for access to the enclosure.

8) Wiring

4-way terminal block is provided on the beacons for power. There are 2-off +ve, 2-off -ve terminal and an internal Earth boss.

8.1 Wiring Diagrams

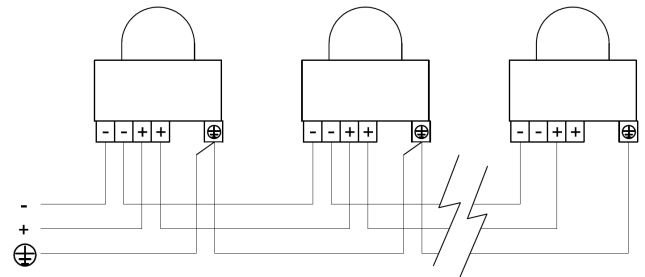


Fig. 3 D1xB2XH2 Simplified Block Diagram

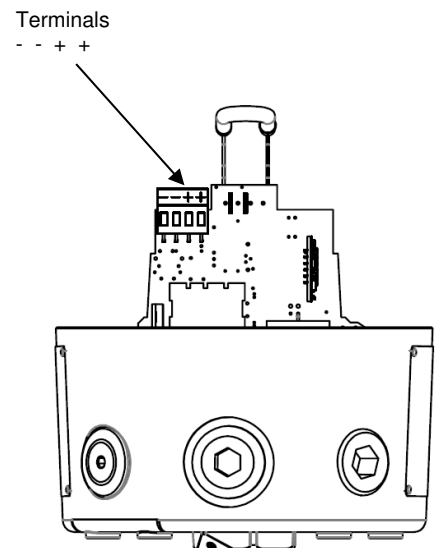


Fig. 4 D1xB2XH2 Terminals

8.2 Line Monitoring

On the D2xB1XH2 unit, DC reverse line monitoring can be used if required.

All DC beacons have a blocking diode fitted in their supply input lines. An end of line monitoring resistor can be connected across the +ve and -ve terminals in the explosion proof enclosure. If an end of line resistor is used it must have the following values:

Minimum resistance 3K3 Ohms	Minimum Power 0.5W
Minimum resistance 500 Ohms	Minimum Power 2.0W

The resistor must be connected directly across the +ve and -ve terminals as shown in the following drawing. Form the resistor legs as shown in Fig. 5a, fit the resistor across the two terminals, as shown in Fig. 5b.

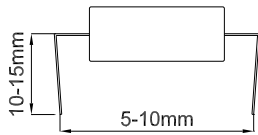


Fig. 5a End of Line Resistor Forming

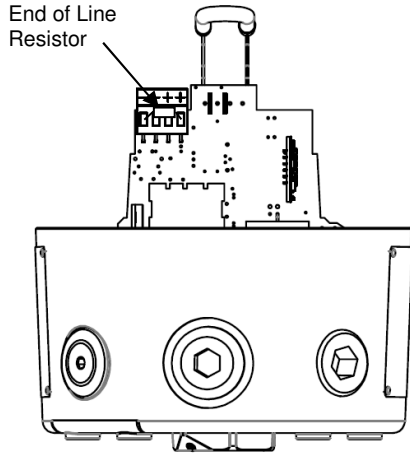


Fig. 5b End of Line Resistor Placement

The D1xB2XH2 beacon can produce different flash patterns as shown in Table 1. The flash patterns are selected by operation of the flash setting DIP switch on the PCB, Fig 7.

Note Only 1Hz ; 1.5Hz & 1.33Hz flash rate are Public Mode Fire approved

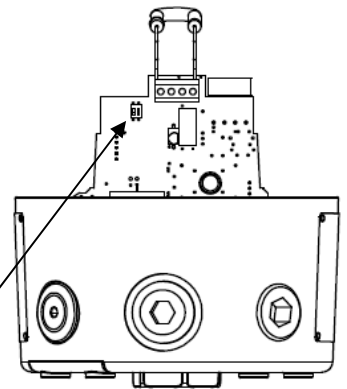


Fig. 7: DIP Switch Location

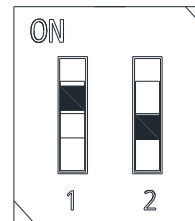


Fig. 8 Dip Switch

1=ON; 0=OFF

Example shown: 10 = Flashing 1.5Hz
(Default setting is 00 1Hz)

Switch Setting	S1 Mode
00	1Hz* (60FPM)
01	1.33Hz* (80FPM)
10	1.5Hz* (90FPM)
11	Double Flash

(*setting permitted for use as public mode fire alarm device)
Table 2: Switch Positions for Flash Patterns

9) Earthing

The unit has an internal earth terminal, (please see fig 6).

Internal earth connections should be made to the M4 earth screw, using a ring crimp terminal to secure the earth conductor to the earth screw.

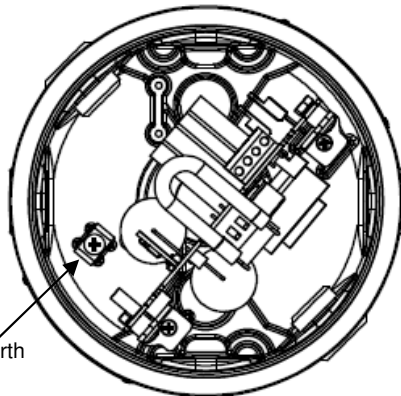


Fig. 6: Internal Earth Location

10) Settings

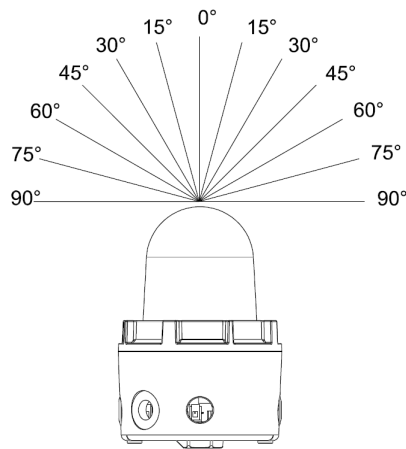
10.1 Flash Rate Setting



Warning – high-intensity light source. Avoid looking directly at the light source for extended periods of time.

11) Light output for Fire alarm use

In order to meet the requirements for UL 1971 & UL1638 for Public Mode Fire alarm use when used with 1Hz (60FPM), 1.5Hz (90FPM) & 1.33Hz (80FPM) the installation must be carried out to the correct NFPA standards and guidelines or CEC regulations.



11.1 Horizontal Light Output Dispersion for wall mounting – public mode

Fig. 12 – Horizontal dispersion angles for wall mounting

Table 3A - D1xB2XH2 - Horizontal Light Output Dispersion for Wall Mounting				
Viewing Angle	% Of Rating	Intensity (cd) at 1Hz flash rate (60FPM)	Intensity (cd) at 1.5Hz flash rate (90FPM)	Intensity (cd) at 1.33Hz flash rate (80FPM)
0°	100	190.60	114.69	128.48
5-25°	90	171.54	103.22	115.63
30-45°	75	142.95	86.02	96.36
50°	55	104.83	63.08	70.66
55°	45	85.77	51.61	57.82
60°	40	76.24	45.88	51.39
65°	35	66.71	40.14	44.97
70°	35	66.71	40.14	44.97
75°	30	57.18	34.41	38.54
80°	30	57.18	34.41	38.54
85°	25	47.65	28.67	32.12
90°	25	47.65	28.67	32.12
Compound 45° to Right	24	45.74	27.53	30.84
Compound 45° to Left	24	45.74	27.53	30.84

11.2 Vertical Light Output Dispersion for wall mounting – public mode

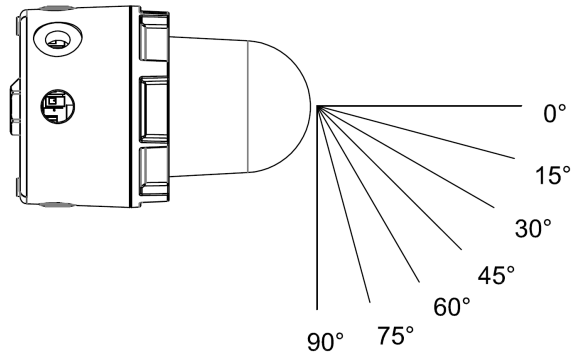


Fig. 13 – Vertical dispersion angles for wall mounting

Table 4A - D1xB2XH2 - Vertical Light Output Dispersion for Wall Mounting				
Viewing Angle	% Of Rating	Intensity (cd) at 1Hz flash rate (60FPM)	Intensity (cd) at 1.5Hz flash rate (90FPM)	Intensity (cd) at 1.33Hz flash rate (80FPM)
0°	100	190.60	114.69	128.48
5-30°	90	171.54	103.22	115.63
35°	65	123.89	74.55	83.51
40°	46	87.68	52.76	59.10
45°	34	64.80	38.99	43.68
50°	27	51.46	30.97	34.69
55°	22	41.93	25.23	28.27
60°	18	34.31	20.64	23.13
65°	16	30.50	18.35	20.56
70°	15	28.59	17.20	19.27
75°	13	24.78	14.91	16.70
80-90°	12	22.87	13.76	15.42

11.3 Vertical Light Output Dispersion for ceiling mounting – public mode

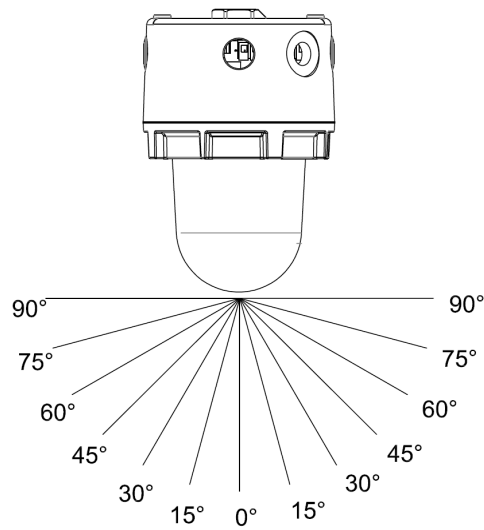


Fig. 14 – Vertical dispersion angles for ceiling mounting X and Y planes

Table 5A - D1xB2XH2 - Vertical Light Output Dispersion for Ceiling Mounting				
Viewing Angle	% Of Rating	Intensity (cd) at 1Hz flash rate (60FPM)	Intensity (cd) at 1.5Hz flash rate (90FPM)	Intensity (cd) at 1.33Hz flash rate (80FPM)
0°	100	190.6	114.69	128.48
5-25°	90	171.54	103.22	115.63
30-45°	75	142.95	86.02	96.36
50°	55	104.83	63.08	70.66
55°	45	85.77	51.61	57.82
60°	40	76.24	45.88	51.39
65°	35	66.71	40.14	44.97
70°	35	66.71	40.14	44.97
75°	30	57.18	34.41	38.54
80°	30	57.18	34.41	38.54
85°	25	47.65	28.67	32.12
90°	25	47.65	28.67	32.12

All light output ratings min. values as per UL 1971 / UL1638 / CAN/ULC-S526 at worst-case (min.) input voltage.

12) Electrical Ratings

12.1 Operating current Consumption

Table 6 - Electrical Ratings					
Model	Nom. Voltage	Voltage Range	Flash Rate Setting	Nom. operating current [#]	Max. operating current ^{##}
D1xB2XH2DC024	24Vdc	20-28Vdc	1Hz (60fpm)*	1165 mA	1360 mA
			1.5Hz (90fpm)*	1230 mA	1360 mA
			1.33Hz (80fpm)*	1215 mA	1360 mA
			Double flash	1085 mA	1360 mA

* Flash rates Public Mode Fire

nominal rms current at nominal voltage

max. rms current at worst-case voltage in voltage range.

12.2 Surge current for Fire Alarm system use per UL Listing

Surge Currents					
Model	Nom. Voltage	Voltage Range	Flash Rate Setting	Init. Peak Surge Current (A)	Init. RMS Surge Current (mA)
D1xB2XH2DC024	24Vdc	20-28Vdc	1Hz (60fpm)	1590 mA	1180 mA
			1.5Hz (90fpm)	1590 mA	1120 mA
			1.33Hz (80fpm)	1710 mA	1130 mA
			Double flash	1650 mA	1200 mA

Surge current given at worst case voltage