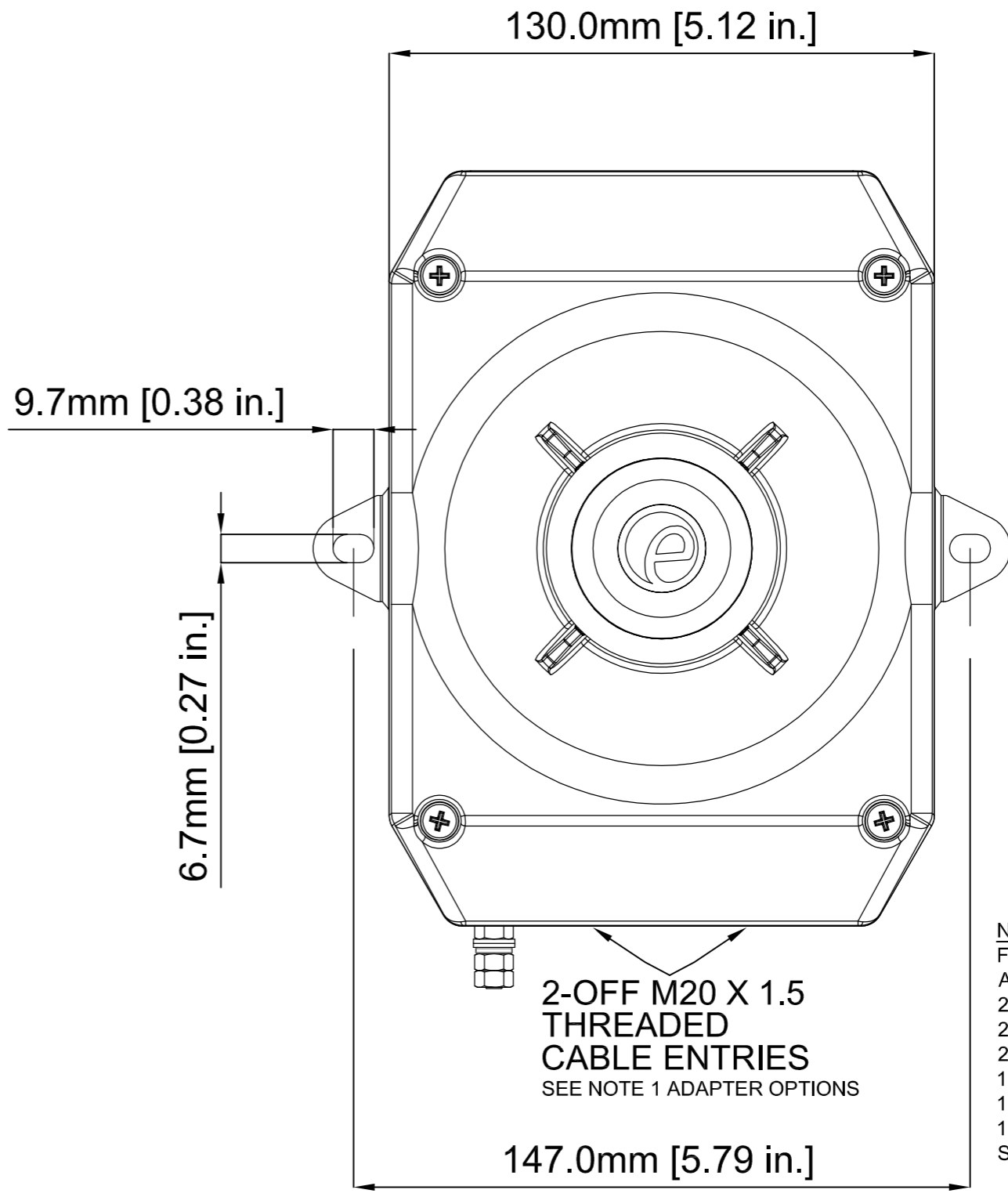
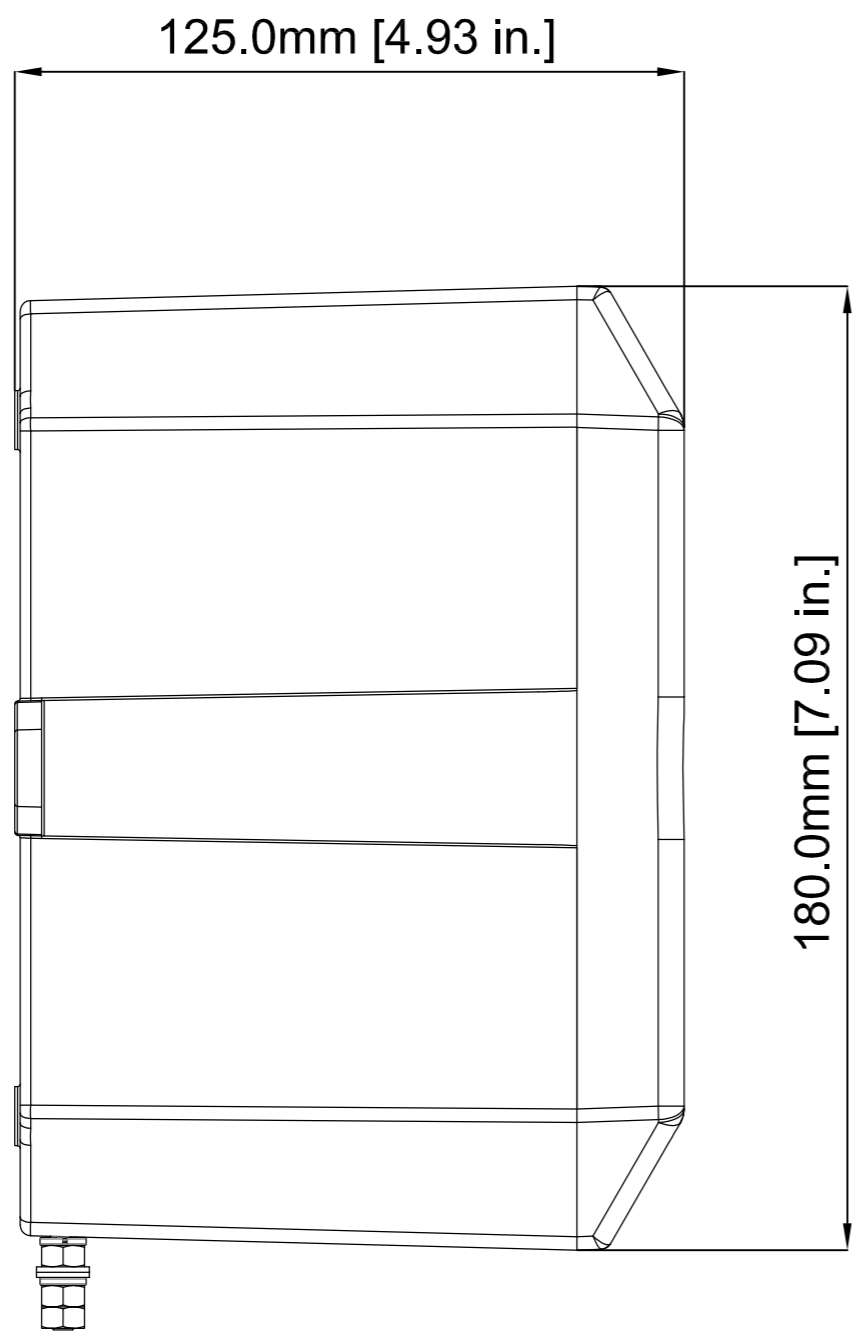


ISSUE	MOD No.	REASON - INITIAL - DATE
A		INTRODUCTION - RSR - 08/04/14
B		NOTE 1 ADDED - RSR - 20/08/18



**2-OFF M20 X 1.5
THREADED
CABLE ENTRIES**
SEE NOTE 1 ADAPTER OPTIONS

NOTE 1
FOLLOWING ENTRY OPTIONS
AVAILABLE VIA ADAPTERS:
2-OFF 1/2" NPT;
2-OFF 3/4"NPT;
2-OFF M25 X 1.5mm;
1-OFF 1/2" NPT;
1-OFF 3/4"NPT;
1-OFF M25 X 1.5mm.
SEE WEBSITE FOR PART CODING

E2S PART NO.	DESCRIPTION	DATA REFERENCE
D2xS1...	D2xS1 Ex n SOUNDER	1.32.025

DRAWING TO BS8888:2000 GEOMETRIC TOLERANCES TO ISO1101:1983 LINEAR DIMENSIONAL TOLS ANGULAR DIMENSIONAL TOLS	DRAWN R.S.RAIT	DATE 08/04/14	SURFACE FINISH FINISH	WEIGHT (Kg)	THIS DRAWING AND ANY INFORMATION OR DESCRIPTIVE MATTER THEREIN IS COMMUNICATED IN CONFIDENCE AND IS THE COPYRIGHT PROPERTY OF EUROPEAN SAFETY SYSTEMS LTD. NEITHER THE WHOLE OR ANY EXTRACT MAY BE DISCLOSED, LOANED, COPIED OR USED FOR MANUFACTURING OR TENDERING PURPOSES WITHOUT THEIR WRITTEN CONSENT.	 EUROPEAN SAFETY SYSTEMS LTD IMPRESS HOUSE MANSSELL ROAD ACTON LONDON W3 7QH WWW.E2S.COM	ALL DIMENSIONS IN MM IF IN DOUBT, ASK - DO NOT SCALE	 A2
	CHECKED B. ISARD	DATE 08/04/14						
	STANDARDS METAL SOUNDERS	APPROVED R.N.POTTS	DATE 08/04/14	ALTERNATIVE MATERIAL				