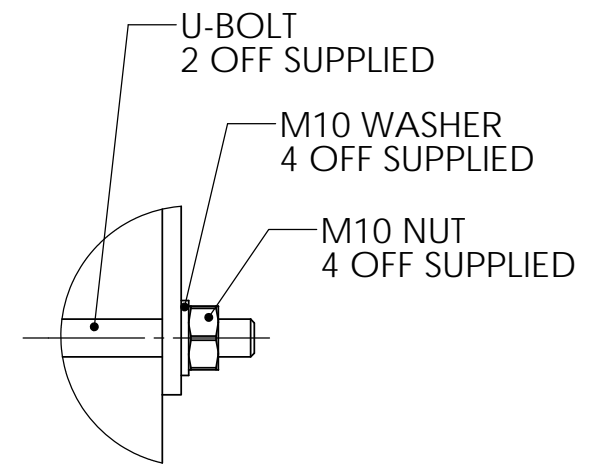
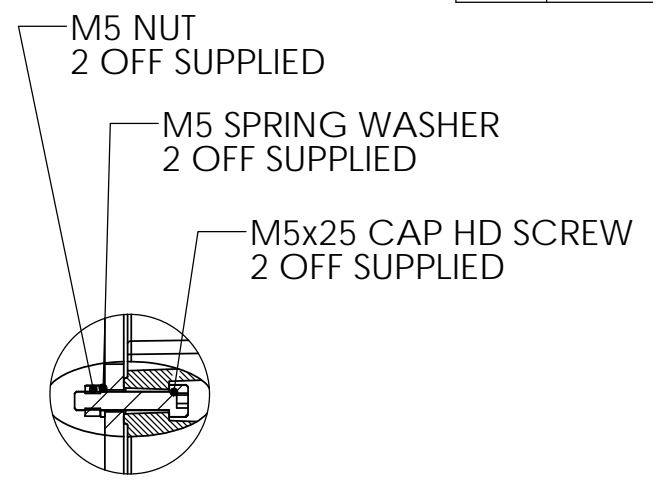
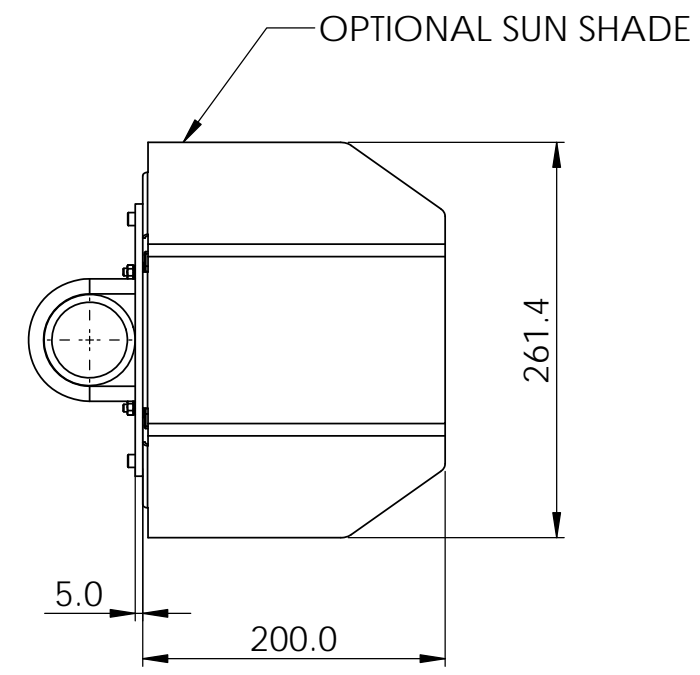


ISSUE	MOD No.	REASON - INITIAL - DATE
A		Introduction M.VYAS - 05/01/18
B		Various changes to notes DAH - 27/07/2018

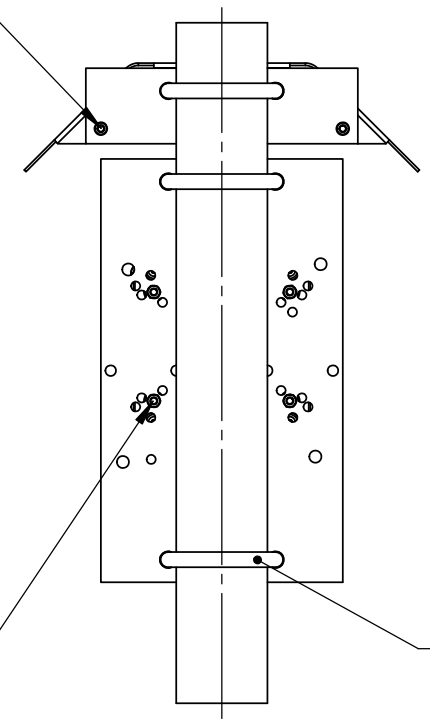


DETAIL A
SCALE 1 : 2



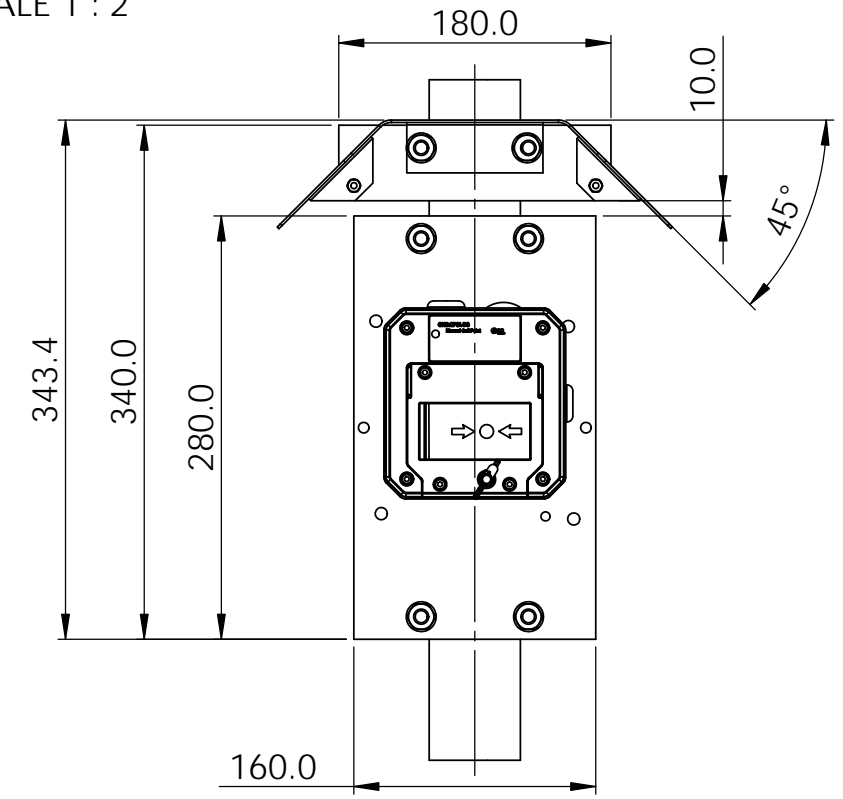
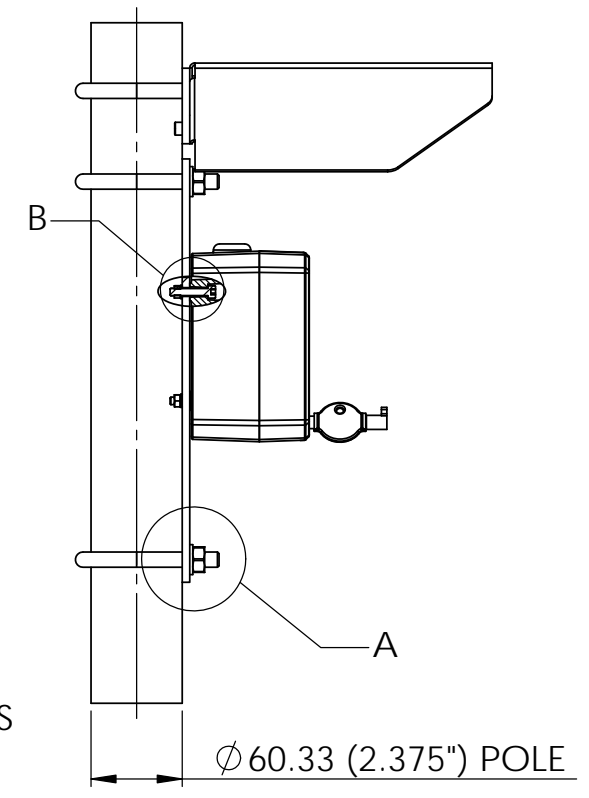
DETAIL B
SCALE 1 : 2

SUN SHIELD TO BRACKET WITH M5x12
CAP HD SCREWS IN 2 POS'NS



MOUNT BRACKETS
TO POLE WITH
U-BOLTS IN 3 POS'NS

MOUNT BEACON TO
BRACKET WITH
M5x25 CAP HD SCREWS
IN 4 POS'NS



Part Codes:	Description:
SP65-0001-A2	Pole Mount Bracket Kit 2" St/St A2 (304)
SP65-0001-A4	Pole Mount Bracket Kit 2" St/St A4 (316)
SP65-0002-A2	Sunshade - St/St A2 (304)
SP65-0002-A4	Sunshade - St/St A4 (316)

DRAWING TO BS8888:2000
GEOMETRIC TOLERANCES TO ISO1101:1983
LINEAR DIMENSIONAL TOLS
ANGULAR DIMENSIONAL TOLS

STANDARDS
PRODUCT REF

DRAWN	DATE	SURFACE FINISH	WEIGHT (Kg)
M.VYAS	05/01/18		
CHECKED	DATE	MATERIAL	
R.N.POTTS	05/01/18		
APPROVED	DATE	ALTERNATIVE MATERIAL	
R.N.POTTS	05/01/18		

THIS DRAWING AND ANY INFORMATION OR DESCRIPTIVE
MATTER THEREIN IS COMMUNICATED IN CONFIDENCE AND
IS THE COPYRIGHT PROPERTY OF EUROPEAN SAFETY
SYSTEMS LTD. NEITHER THE WHOLE OR ANY EXTRACT MAY
BE DISCLOSED, LOANED, COPIED OR USED FOR
MANUFACTURING OR TENDERING PURPOSES WITHOUT THEIR
WRITTEN CONSENT.

© EUROPEAN SAFETY SYSTEMS LTD.
AS PER LATEST DATE OF ISSUE SHOWN ABOVE

e2S
warning signals

EUROPEAN SAFETY SYSTEMS LTD
IMPRESS HOUSE
MANSELL ROAD
ACTON
LONDON W3 7QH
WWW.E2S.COM

ALL DIMENSIONS IN MM
IF IN DOUBT, ASK -
DO NOT SCALE

TITLE **DN 50mm (NPS 2") POLE & SUN SCREEN
GNExCP6 CALL POINTS**

SCALE	SHEET	DRAWING NUMBER
1 : 5	1 OF 1	D217-05-321

A3

©