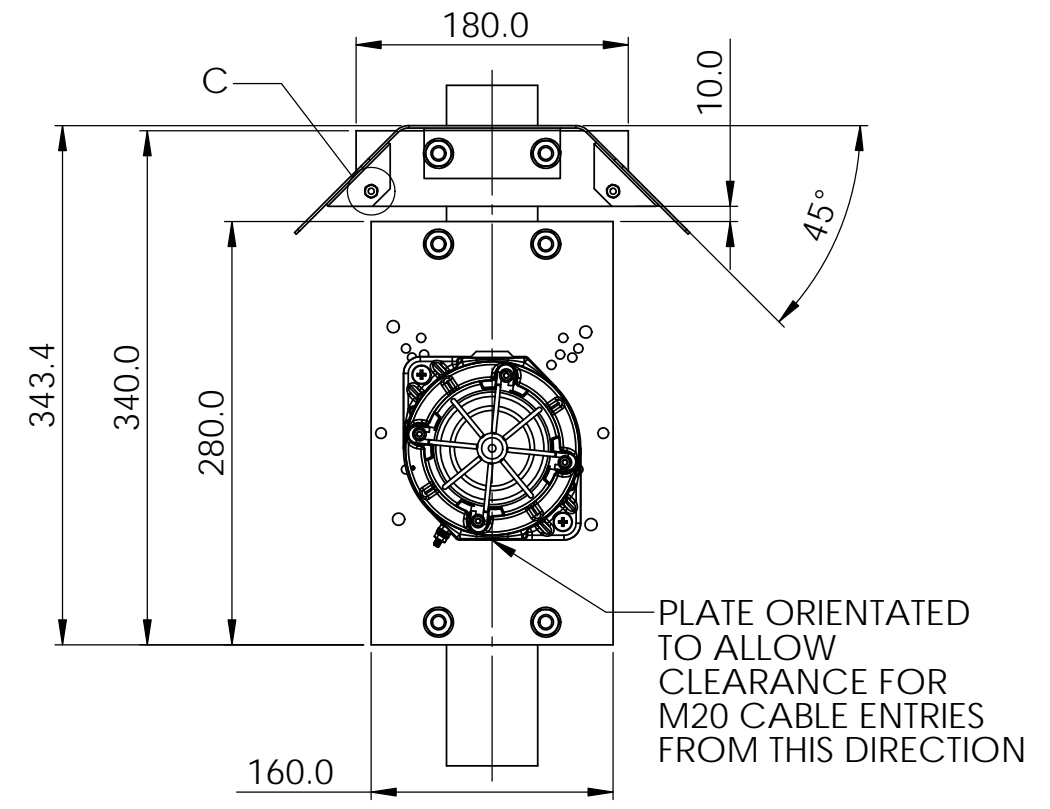
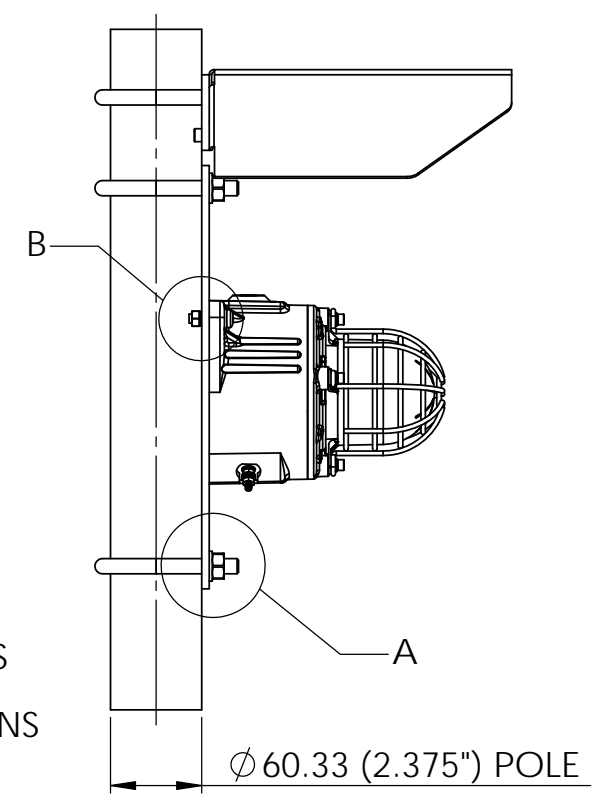
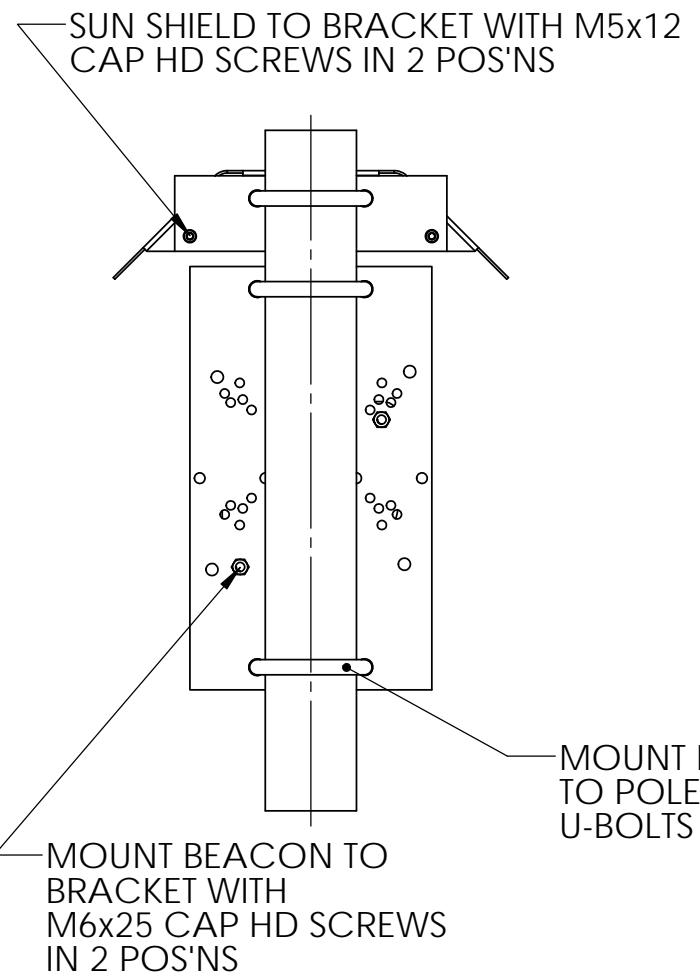
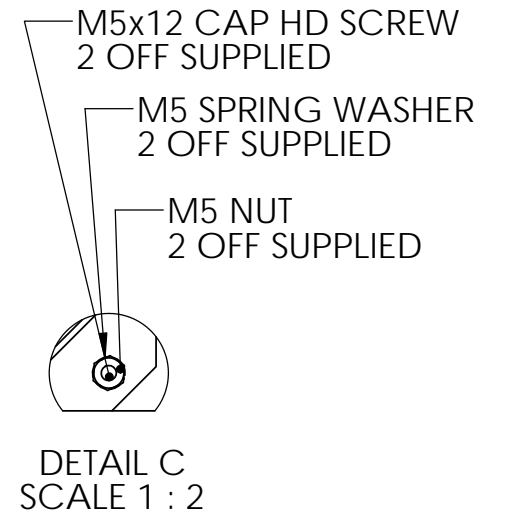
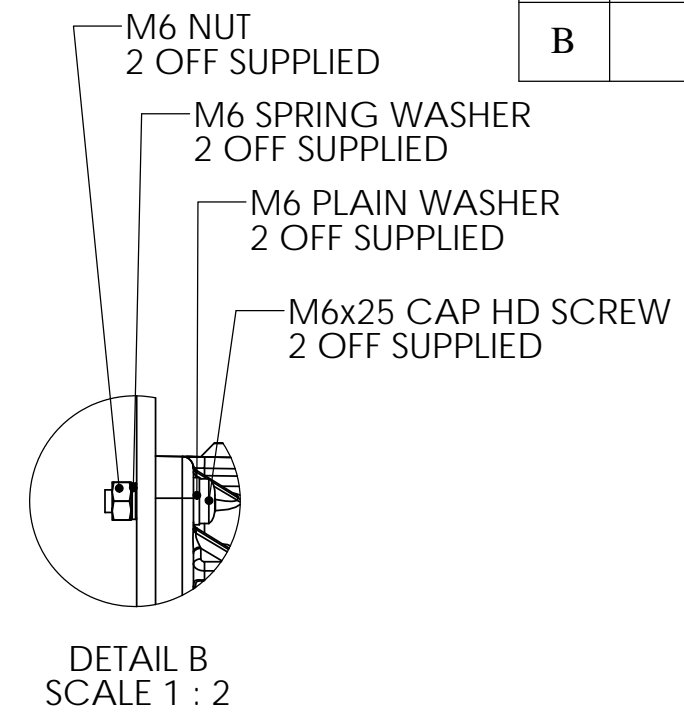
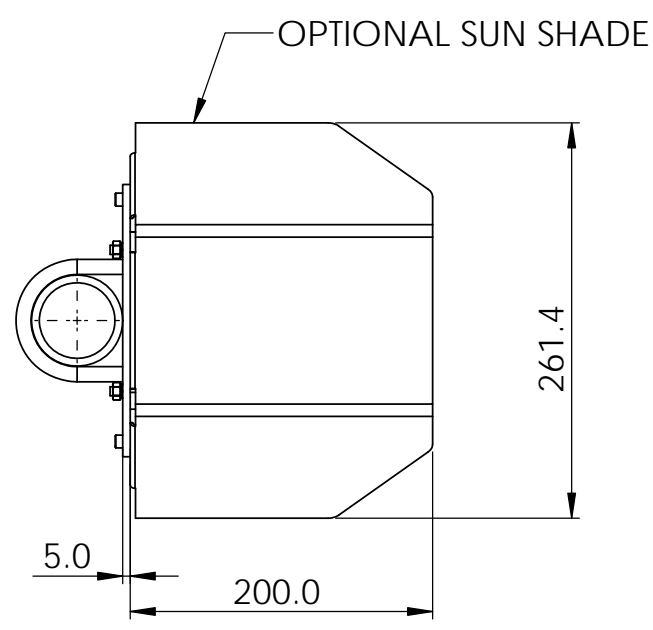
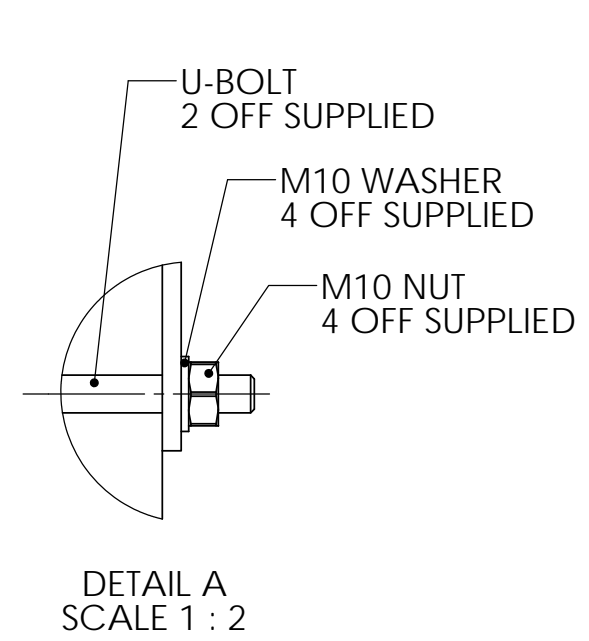


ISSUE	MOD No.	REASON - INITIAL - DATE
A		Introduction M.VYAS - 05/01/18
B		Various changes to notes DAH 27/07/2018



Part Codes:	Description:
SP65-0001-A2	Pole Mount Bracket Kit 2" St/St A2 (304)
SP65-0001-A4	Pole Mount Bracket Kit 2" St/St A4 (316)
SP65-0002-A2	Sunshade - St/St A2 (304)
SP65-0002-A4	Sunshade - St/St A4 (316)

DRAWING TO BS8888:2000
GEOMETRIC TOLERANCES TO ISO1101:1983
LINEAR DIMENSIONAL TOLS
ANGULAR DIMENSIONAL TOLS

STANDARDS
PRODUCT REF

DRAWN	DATE
M.VYAS	05/01/18
CHECKED	DATE
R.N.POTTS	05/01/18
APPROVED	DATE
R.N.POTTS	05/01/18

SURFACE FINISH	WEIGHT (Kg)
MATERIAL	
ALTERNATIVE MATERIAL	

THIS DRAWING AND ANY INFORMATION OR DESCRIPTIVE MATTER THEREIN IS COMMUNICATED IN CONFIDENCE AND IS THE COPYRIGHT PROPERTY OF EUROPEAN SAFETY SYSTEMS LTD. NEITHER THE WHOLE OR ANY EXTRACT MAY BE DISCLOSED, LOANED, COPIED OR USED FOR MANUFACTURING OR TENDERING PURPOSES WITHOUT THEIR WRITTEN CONSENT.

EUROPEAN SAFETY SYSTEMS LTD.
AS PER LATEST DATE OF ISSUE SHOWN ABOVE

EUROPEAN SAFETY SYSTEMS LTD
IMPRESS HOUSE
MANSELL ROAD
ACTON
LONDON W3 7QH
WWW.E2S.COM

ALL DIMENSIONS IN MM IF IN DOUBT, ASK - DO NOT SCALE		
TITLE		DN 50mm (NPS 2'') POLE & SUN SCREEN GNExB1 BEACONS
SCALE	SHEET	DRAWING NUMBER
1 : 5	1 OF 1	D217-05-221