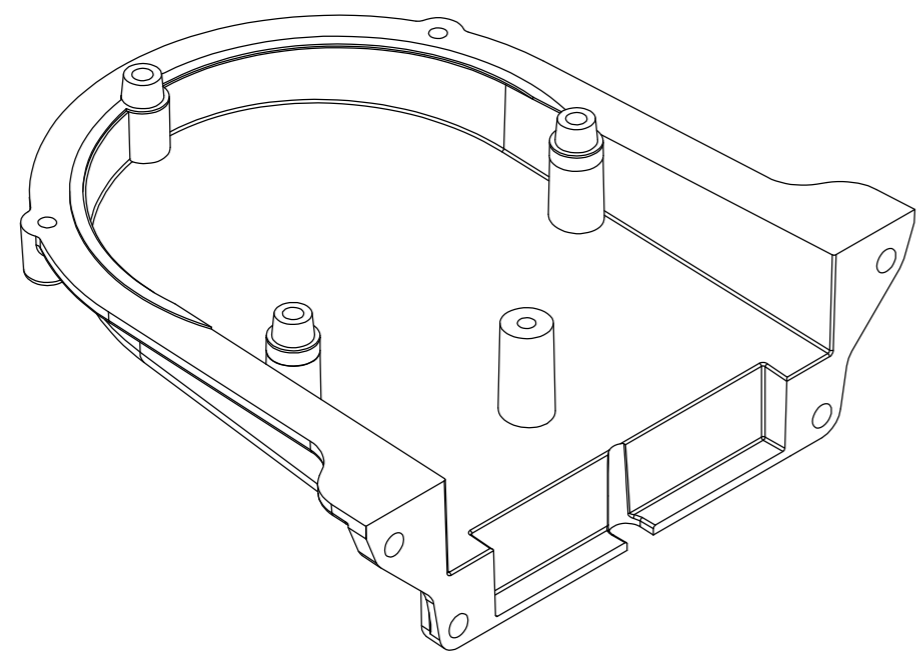
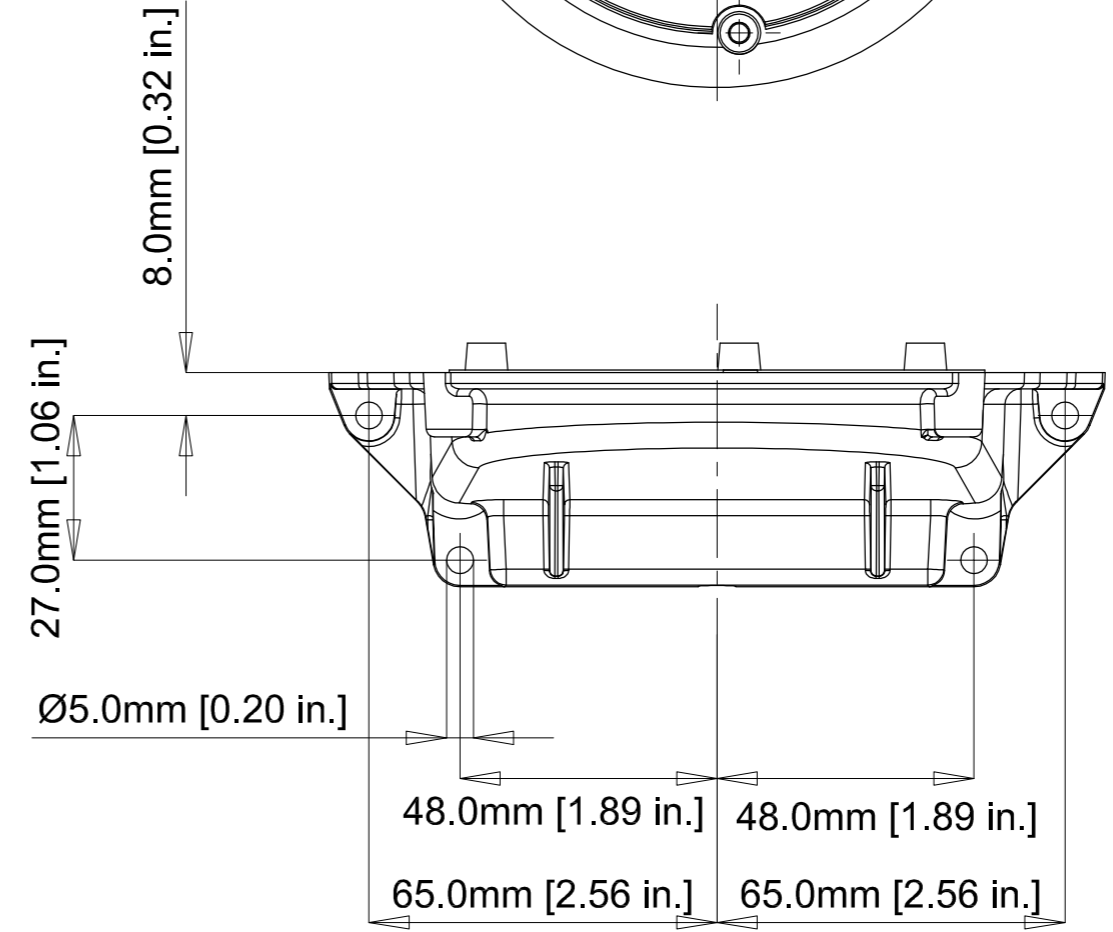
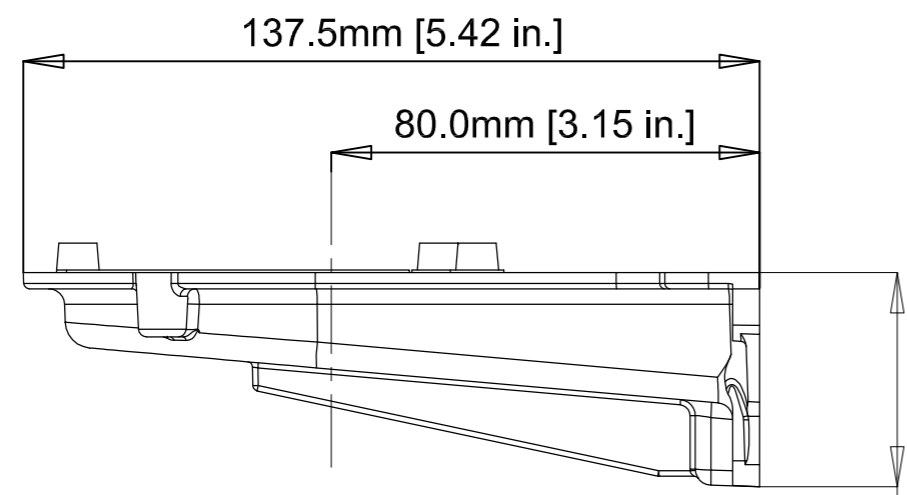
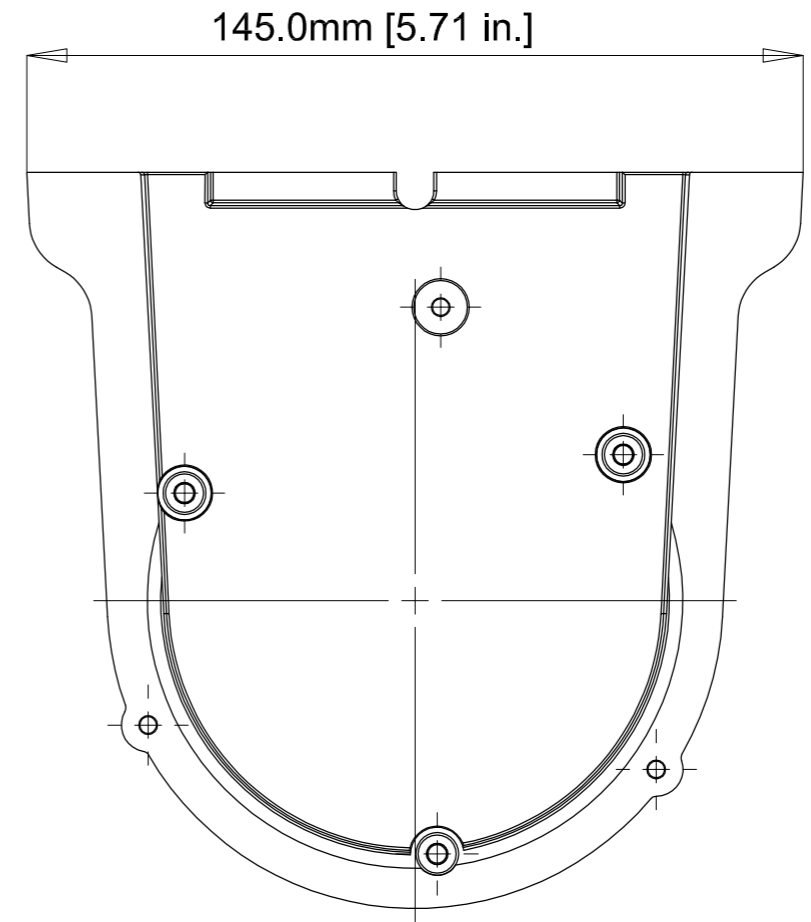


ISSUE	MOD No.	REASON - INITIAL - DATE
A		INTRODUCTION OF PART RNP 17-12-08
B		UPDATED TO DUAL DIMS. RSR 10-07-13



ISOMETRIC VIEW



E2S PART NO.	DESCRIPTION	DATA REFERENCE
B400RAB001...	SPECTRA ACCESSORIES	2.16.010

WHERE APPLICABLE '-UL' VERSIONS ARE COVERED BY THIS OUTLINE DRAWING.

DRAWING TO BS8888:2000 GEOMETRIC TOLERANCES TO ISO1101:1983 LINEAR DIMENSIONAL TOLS ANGULAR DIMENSIONAL TOLS	DRAWN R.N.POTTS	DATE 17:12:08	SURFACE FINISH FINISH	WEIGHT (Kg)	THIS DRAWING AND ANY INFORMATION OR DESCRIPTIVE MATTER THEREIN IS COMMUNICATED IN CONFIDENCE AND IS THE COPYRIGHT PROPERTY OF EUROPEAN SAFETY SYSTEMS LTD. NEITHER THE WHOLE OR ANY EXTRACT MAY BE DISCLOSED, LOANED, COPIED OR USED FOR MANUFACTURING OR TENDERING PURPOSES WITHOUT THEIR WRITTEN CONSENT.	 EUROPEAN SAFETY SYSTEMS LTD IMPRESS HOUSE MANSELL ROAD ACTON LONDON W3 7QH WWW.E2S.COM	ALL DIMENSIONS IN MM IF IN DOUBT, ASK - DO NOT SCALE	 A2	
	STANDARDS PRODUCT REF B400 BEACON 90 DEGREE MOUNT B400RAB001	CHECKED	DATE	MATERIAL			ALTERNATIVE MATERIAL		
EUROPEAN SAFETY SYSTEMS LTD. AS PER LATEST DATE OF ISSUE SHOWN ABOVE						TITLE <b>OUTLINE DRAWING B400RAB001 B400 BASE 90 DEGREE MOUNT</b>	SCALE 1:1	SHEET 1 OF 1	DRAWING NUMBER <b>SK0050</b>