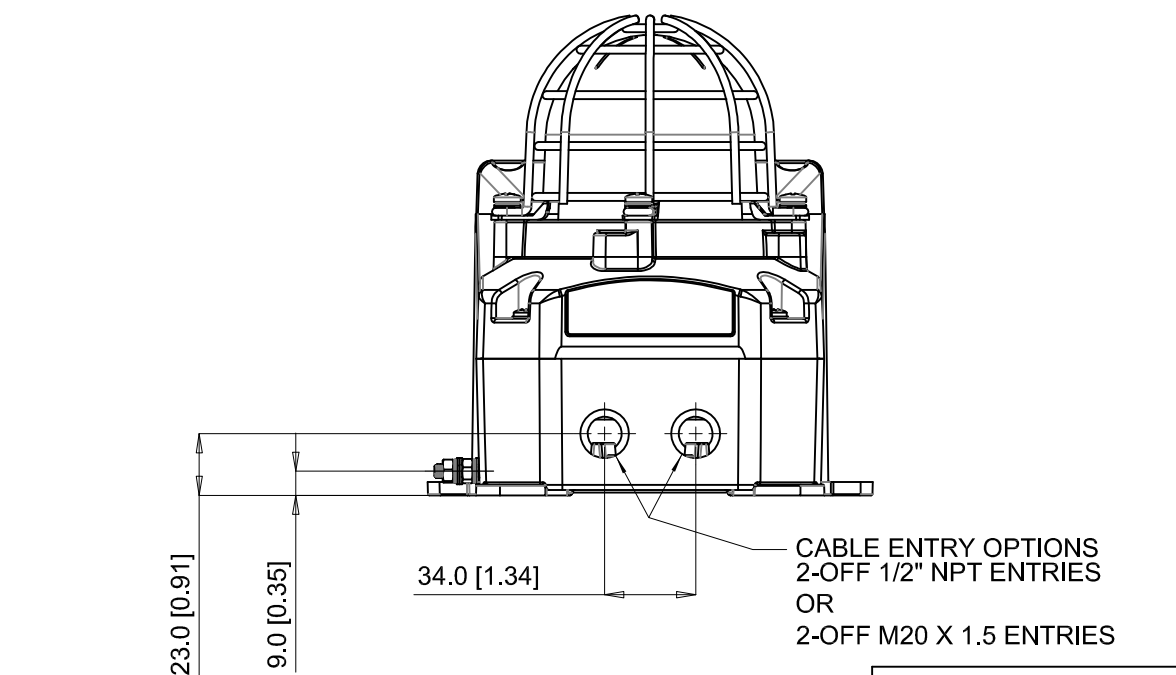
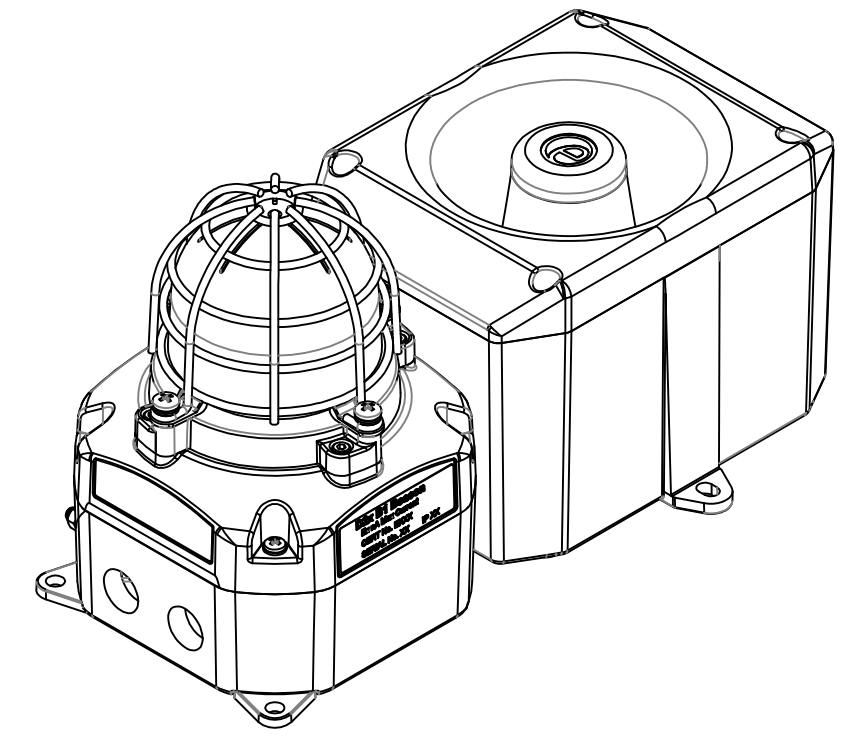
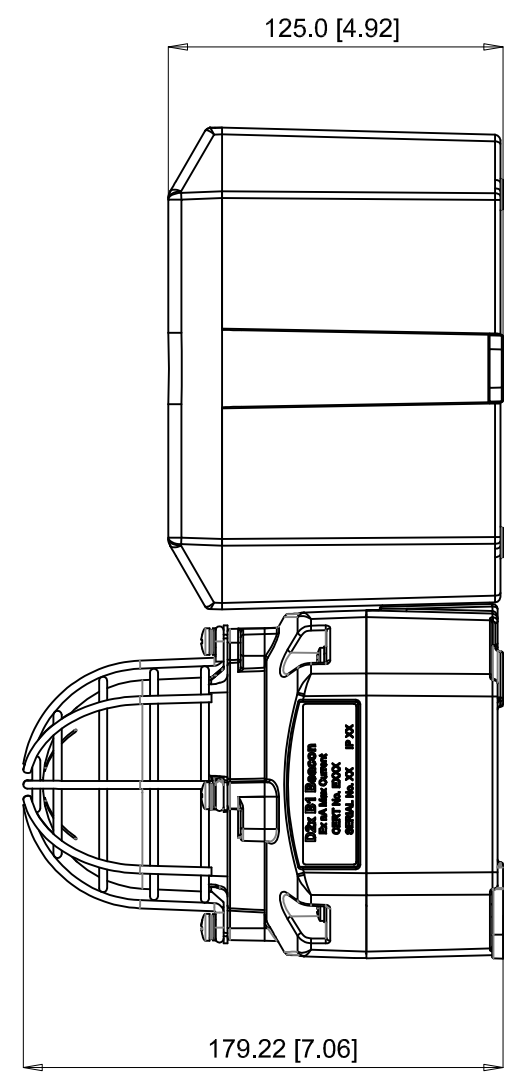
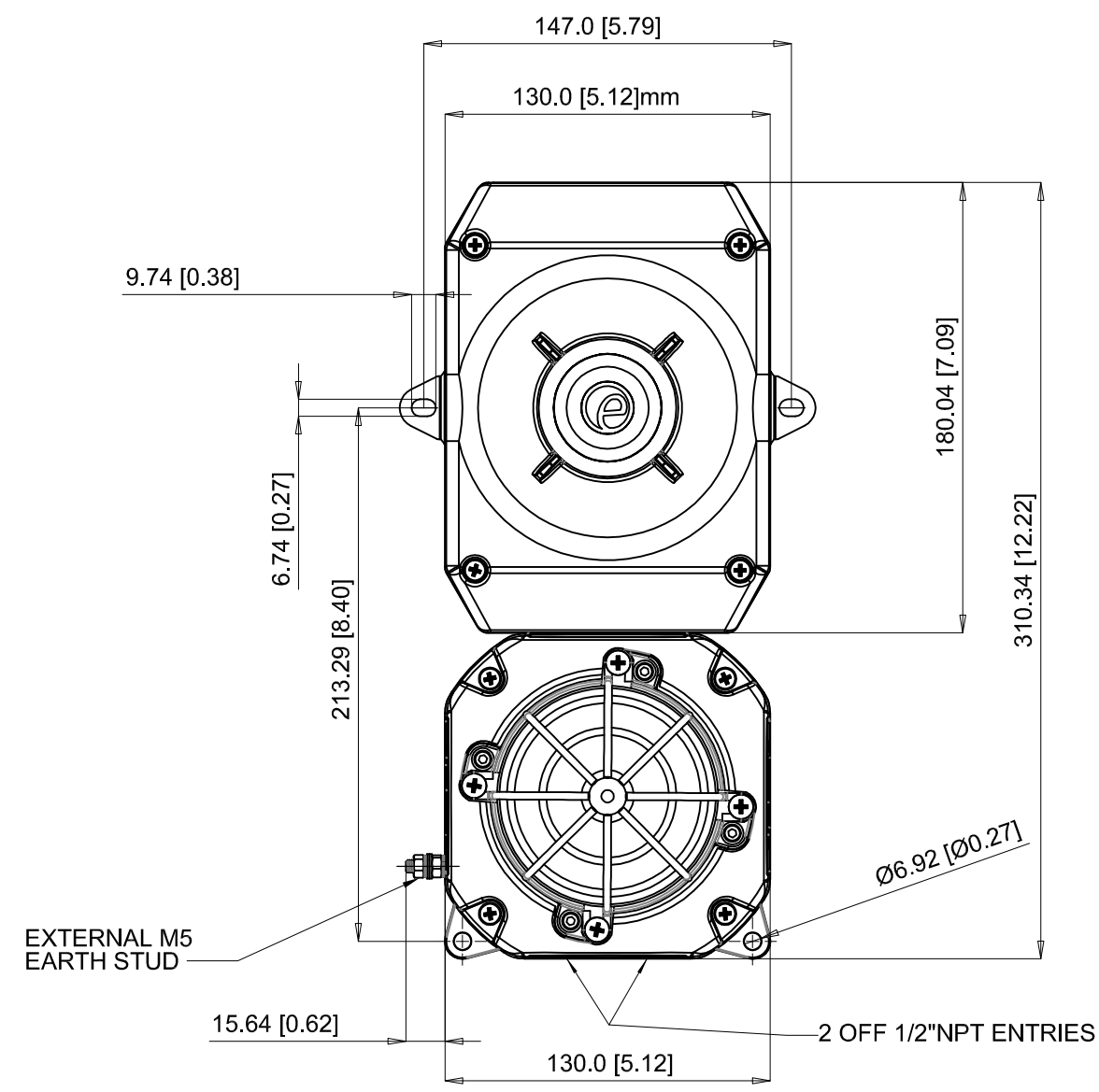


ISSUE	MOD No.	REASON - INITIAL - DATE
1		INTRODUCTION RSR 28-11-2019



E2S PART No.	DESCRIPTION	DATA REFERENCE
D2xC2X05	D2xC2 COMBINED HORN & 5J XENON STROBE	1-34-070
D2xC2X10	D2xC2 COMBINED HORN & 10J XENON STROBE	1-34-080
D2xC2LD2	D2xC2 COMBINED HORN & LED BEACON	1-34-045

DRAWING TO BS8888:2000 GEOMETRIC TOLERANCES TO ISO1101:1983 LINEAR DIMENSIONAL TOLS ANGULAR DIMENSIONAL TOLS	DRAWN R.S. RAIT	DATE 28-11-2019	SURFACE FINISH	WEIGHT (Kg)	THIS DRAWING AND ANY INFORMATION OR DESCRIPTIVE MATTER THEREIN IS COMMUNICATED IN CONFIDENCE AND IS THE COPYRIGHT PROPERTY OF EUROPEAN SAFETY SYSTEMS LTD. NEITHER THE WHOLE OR ANY EXTRACT MAY BE DISCLOSED, LOANED, COPIED OR USED FOR MANUFACTURING OR TENDERING PURPOSES WITHOUT THEIR WRITTEN CONSENT. EUROPEAN SAFETY SYSTEMS LTD. AS PER LATEST DATE OF ISSUE SHOWN ABOVE	 EUROPEAN SAFETY SYSTEMS LTD IMPRESS HOUSE MANSELL ROAD ACTON LONDON W3 7QH WWW.E2S.COM	ALL DIMENSIONS IN MM IF IN DOUBT, ASK - DO NOT SCALE	 A2
	CHECKED B.ISARD	DATE 28-11-2019	MATERIAL	TITLE D2xC2X05; D2XC2X10; D2xC2LD2 COMBO SOUNDER BEACON OUTLINE DRAWING				
	APPROVED R.N.POTTS	DATE 28-11-2019	ALTERNATIVE MATERIAL	SCALE 1:1			SHEET 1 OF 1	