

OPTION 1

1st & 2nd UNIT

- [1A] = XENON 5J - AMBER
- [2A] = XENON 10J - AMBER
- [5A] = LED - AMBER
- [6A] = 5J PUBLIC MODE - AMBER
- [7A] = 10J PUBLIC MODE - AMBER
- [1B] = XENON 5J - BLUE
- [2B] = XENON 10J - BLUE
- [5B] = LED - BLUE
- [6B] = 5J PUBLIC MODE - BLUE
- [7B] = 10J PUBLIC MODE - BLUE
- [1C] = XENON 5J - CLEAR
- [2C] = XENON 10J - CLEAR
- [5C] = LED - CLEAR
- [6C] = 5J PUBLIC MODE - CLEAR
- [7C] = 10J PUBLIC MODE - CLEAR
- [1G] = XENON 5J - GREEN
- [2G] = XENON 10J - GREEN
- [5G] = LED - GREEN
- [6G] = 5J PUBLIC MODE - GREEN
- [7G] = 10J PUBLIC MODE - GREEN
- [1M] = XENON 5J - MAGENTA
- [2M] = XENON 10J - MAGENTA
- [5M] = LED - MAGENTA
- [6M] = 5J PUBLIC MODE - MAGENTA
- [7M] = 10J PUBLIC MODE - MAGENTA
- [1R] = XENON 5J - RED
- [2R] = XENON 10J - RED
- [5R] = LED - RED
- [6R] = 5J PUBLIC MODE - RED
- [7R] = 10J PUBLIC MODE - RED
- [1Y] = XENON 5J - YELLOW
- [2Y] = XENON 10J - YELLOW
- [5Y] = LED - YELLOW
- [6Y] = 5J PUBLIC MODE - YELLOW
- [7Y] = 10J PUBLIC MODE - YELLOW

OPTION 7
BRAND
[1] = E2S

OPTION 8
HOUSING/ PLATE
COLOUR
[R] = RED
[G] = GREY

OPTION 9
JUNCTION BOX TYPE
[J1] = DIN RAIL
[J2] = TERMINAL BLOCK

OPTION 2
VOLTAGE
[DC012] = 12V DC
[DC024] = 24V DC
[DC048] = 48V DC
[AC115] = 115V AC
[AC230] = 230V AC

OPTION 3
USER ENTRY TYPE
[A] = 2 x M20x1.5mm [E] = 1 x M20x1.5, 1 x 1/2" NPT
[B] = 2 x 1/2" NPT [F] = 2 x 1/2" NPT
[C] = 2 x 3/4" NPT [G] = 1 x 3/4" NPT, 1 x 1/2" NPT
[D] = 2 x M25x1.5mm [H] = 1 x M25x1.5, 1 x 1/2" NPT

OPTION 4
STOPPING PLUG/ADAPTER
MATERIAL
[S] = STAINLESS STEEL
[N] = NICKEL PLATED
[B] = BRASS

OPTION 5
GUARD/HANDLE/PLATE MATERIAL
[0] = NO GUARD
[1] = 304 ST/ST
[2] = 316 ST/ST
[3] = 304 ST/ST & (304 TAG)
[4] = 316 ST/ST & (304 TAG)
[5] = 304 ST/ST & (304 DUTY LABEL)
[6] = 316 ST/ST & (304 DUTY LABEL)
[7] = 304 ST/ST & (304 TAG & DUTY LABEL)
[8] = 316 ST/ST & (304 TAG & DUTY LABEL)

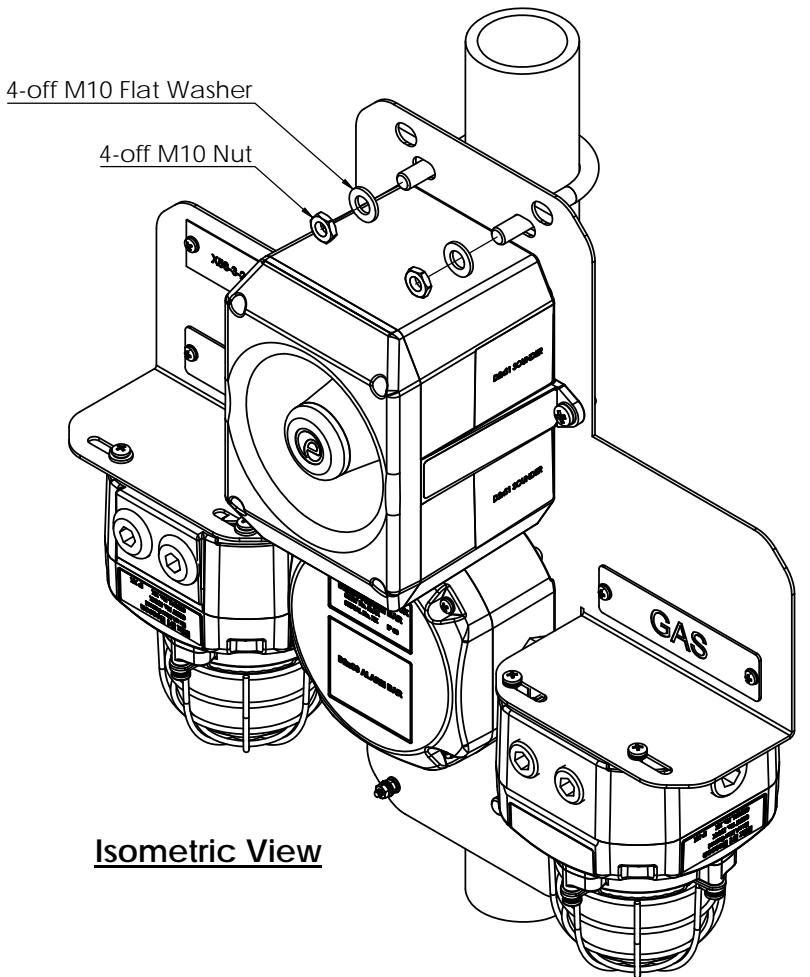
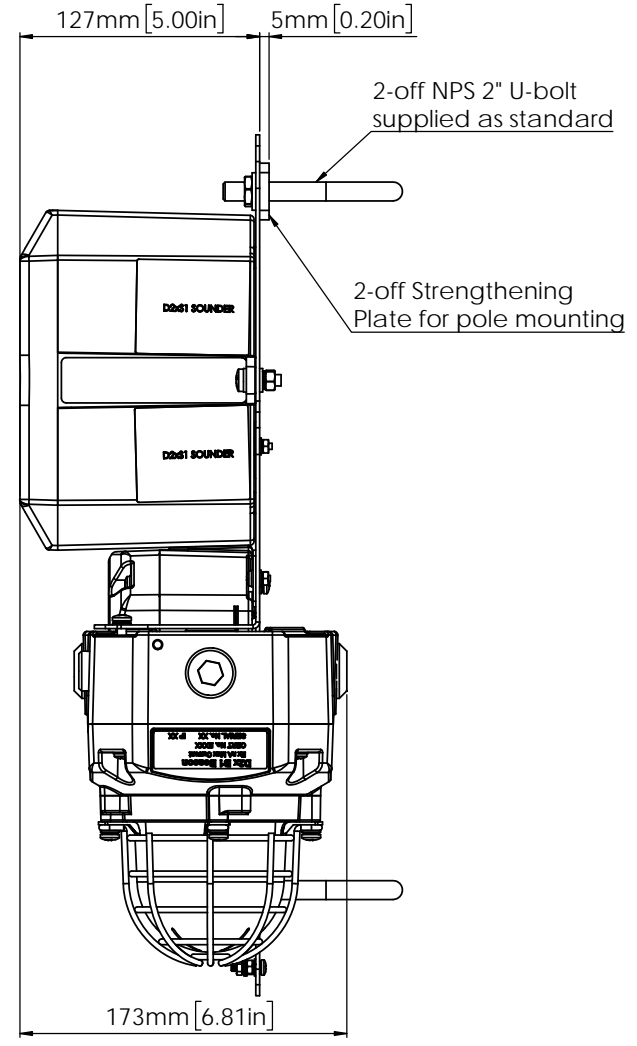
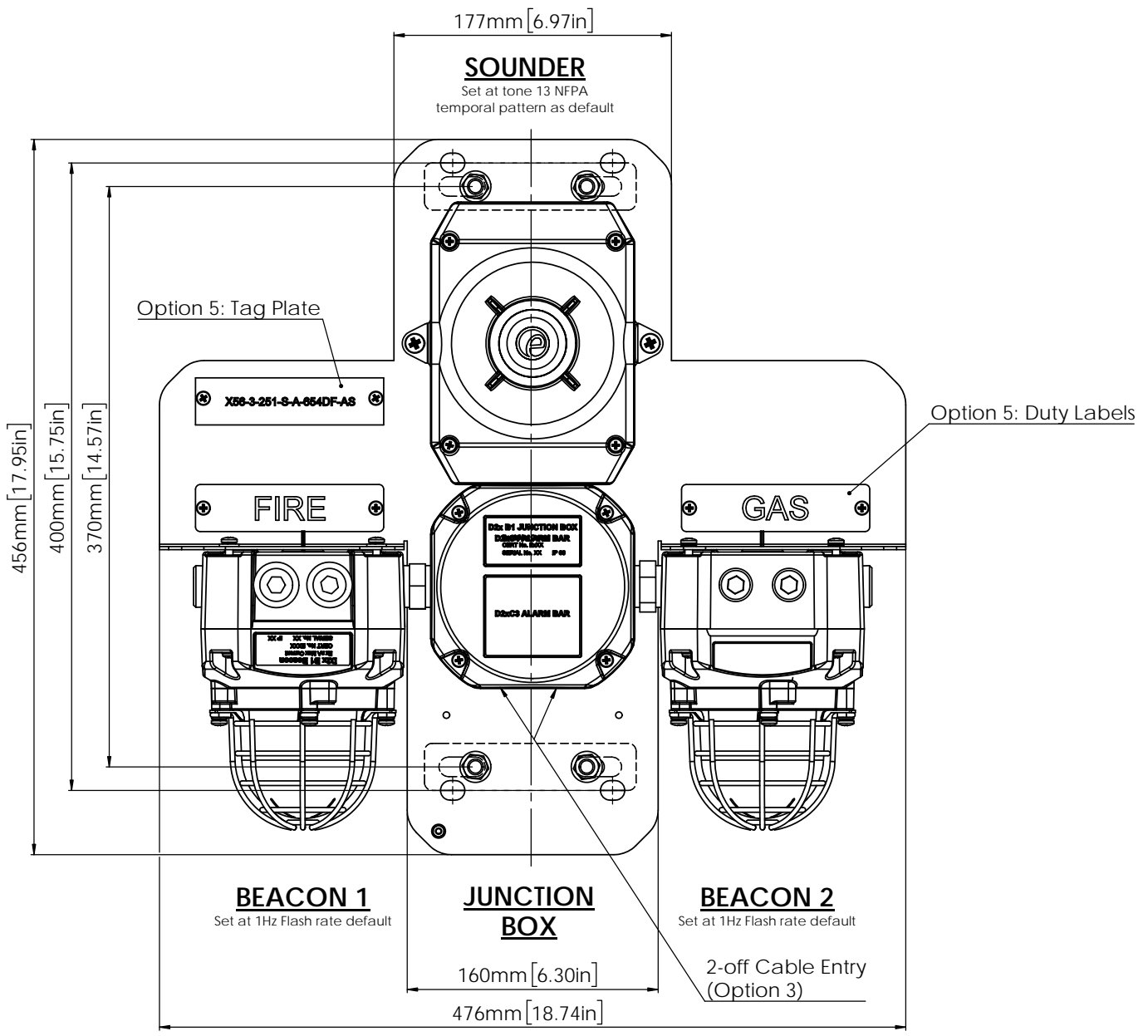
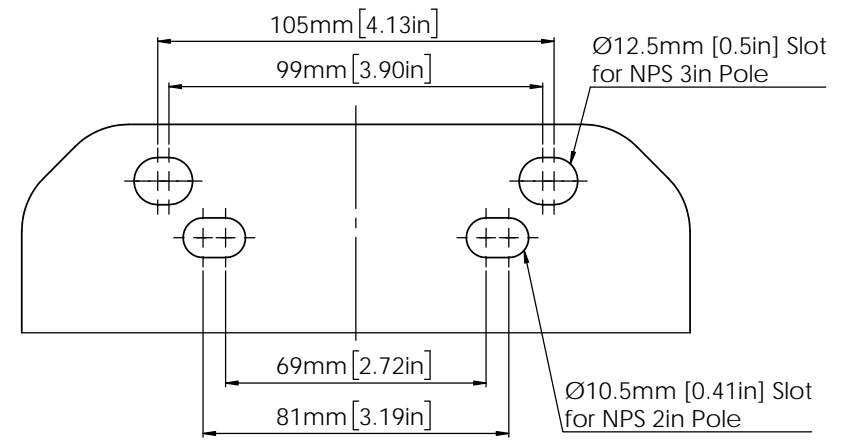
OPTION 6
APPROVAL BODY
[A] = ATEX/IECEx/UL/cUL

THIS SHOWS: A D2xC4 CROSS PLATE CONFIGURATION, 1ST UNIT - 5J LED RED BEACON, 2ND UNIT - 5J LED AMBER BEACON, 24V DC, 1/2" NPT CABLE ENTRY, BRASS STOPPING PLUGS, 304 ST/ST GRADE GUARDS, ATEX/IECEx APPROVED, E2S BRANDED & GREY PLATE.

ISSUE	MOD No.	REASON - INITIAL - DATE
A		Introduction DAH 18/10/2018
B		Added Option 9 to Product Code DAH 06/11/2018
C		Added Option 3 E,F,G,H Option 6 added UL/cUL Sheet 2 Wiring Diagrams redrawn for clarity DAH 04/01/2019

D2x C4 J1 5R 5A S1 DC024 B B 1 A 1 G

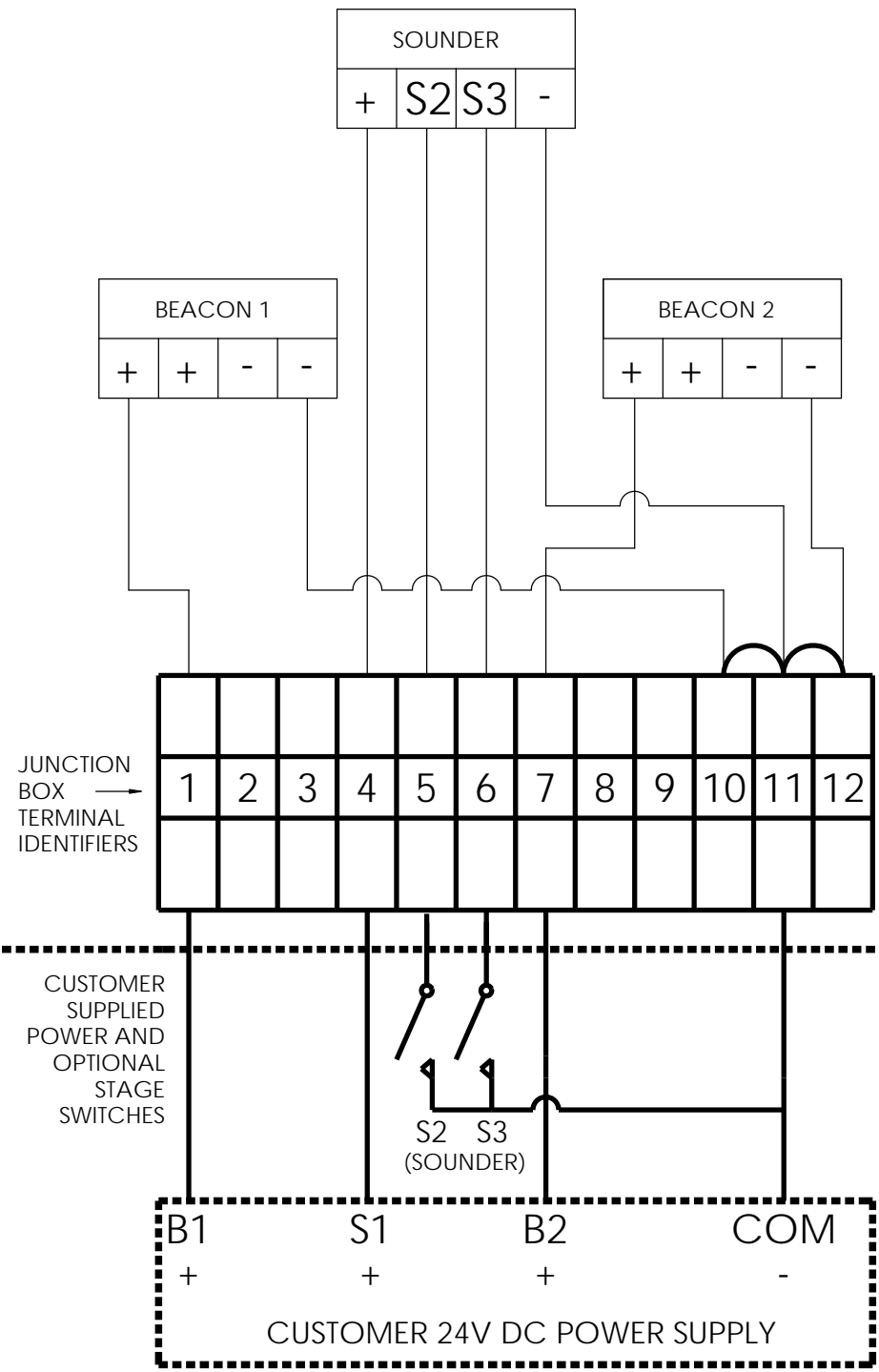
Pole Mounting Detail



DRAWING TO BS888:2000 GEOMETRIC TOLERANCES TO ISO1101:1983 LINEAR DIMENSIONAL TOLS ANGULAR DIMENSIONAL TOLS	DRAWN	DATE	SURFACE FINISH	WEIGHT (kg)	THIS DRAWING AND ANY INFORMATION OR DESCRIPTIVE MATTER THEREIN IS COMMUNICATED IN CONFIDENCE AND IS THE COPYRIGHT PROPERTY OF EUROPEAN SAFETY SYSTEMS LTD. NEITHER THE WHOLE OR ANY EXTRACT MAY BE DISCLOSED, LOANED, COPIED OR USED FOR MANUFACTURING OR TENDERING PURPOSES WITHOUT THEIR WRITTEN CONSENT. EUROPEAN SAFETY SYSTEMS LTD. AS PER LATEST DATE OF ISSUE SHOWN ABOVE		ALL DIMENSIONS IN MM IF IN DOUBT, ASK - DO NOT SCALE			A1	
	CHECKED	DATE	MATERIAL	ALTERNATIVE MATERIAL							
STANDARDS PRODUCT REF	APPROVED	DATE					EUROPEAN SAFETY SYSTEMS LTD IMPRESS HOUSE MANSELL ROAD ACTON LONDON W3 7QH WWW.E2S.COM	TITLE	SCALE	SHEET	DRAWING NUMBER
	R.N.POTTS	18/10/2018						D2xC4 Alarm Bar Installation Drawing	1:2	1 OF 2	D214-00-001-IS

ISSUE	MOD No.	REASON - INITIAL - DATE
A		See Sheet 1 DAH 18/10/2018
B		See Sheet 1 DAH 06/11/2018
C		See Sheet 1 DAH 04/01/2019

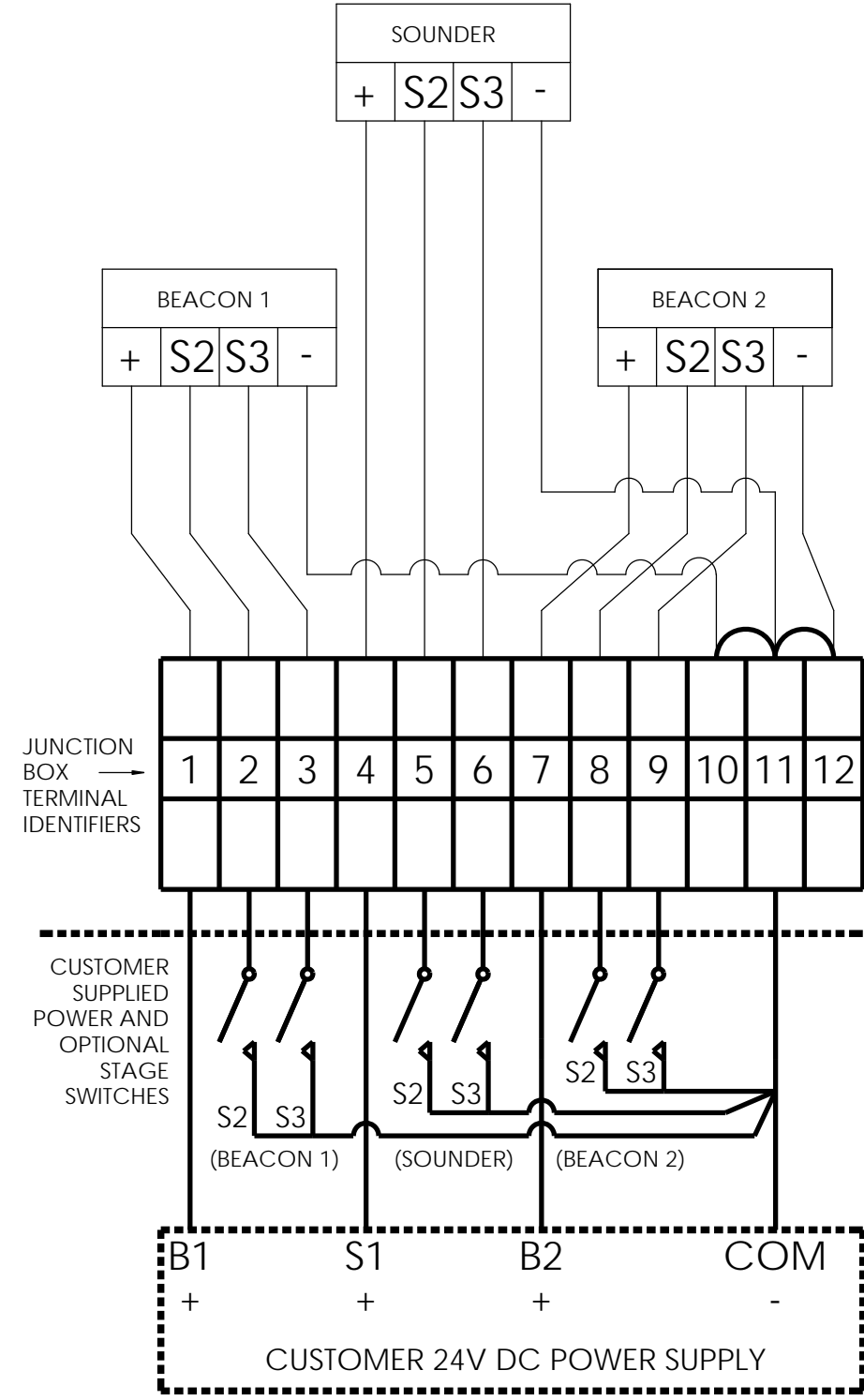
ALARM BAR WITH DC XENON BEACONS



Legend			
Abbreviation	Description	Terminal	
B1 +	BEACON 1 POSITIVE	1	
S1 +	SOUNDER POSITIVE	4	
Optional	S2	SOUNDER STAGE 2 SWITCH	5
	S3	SOUNDER STAGE 3 SWITCH	6
B2 +	BEACON 2 POSITIVE	7	
COM -	COMMON NEGATIVE	10, 11 OR 12	

Note:
All switches shown to be supplied by customer

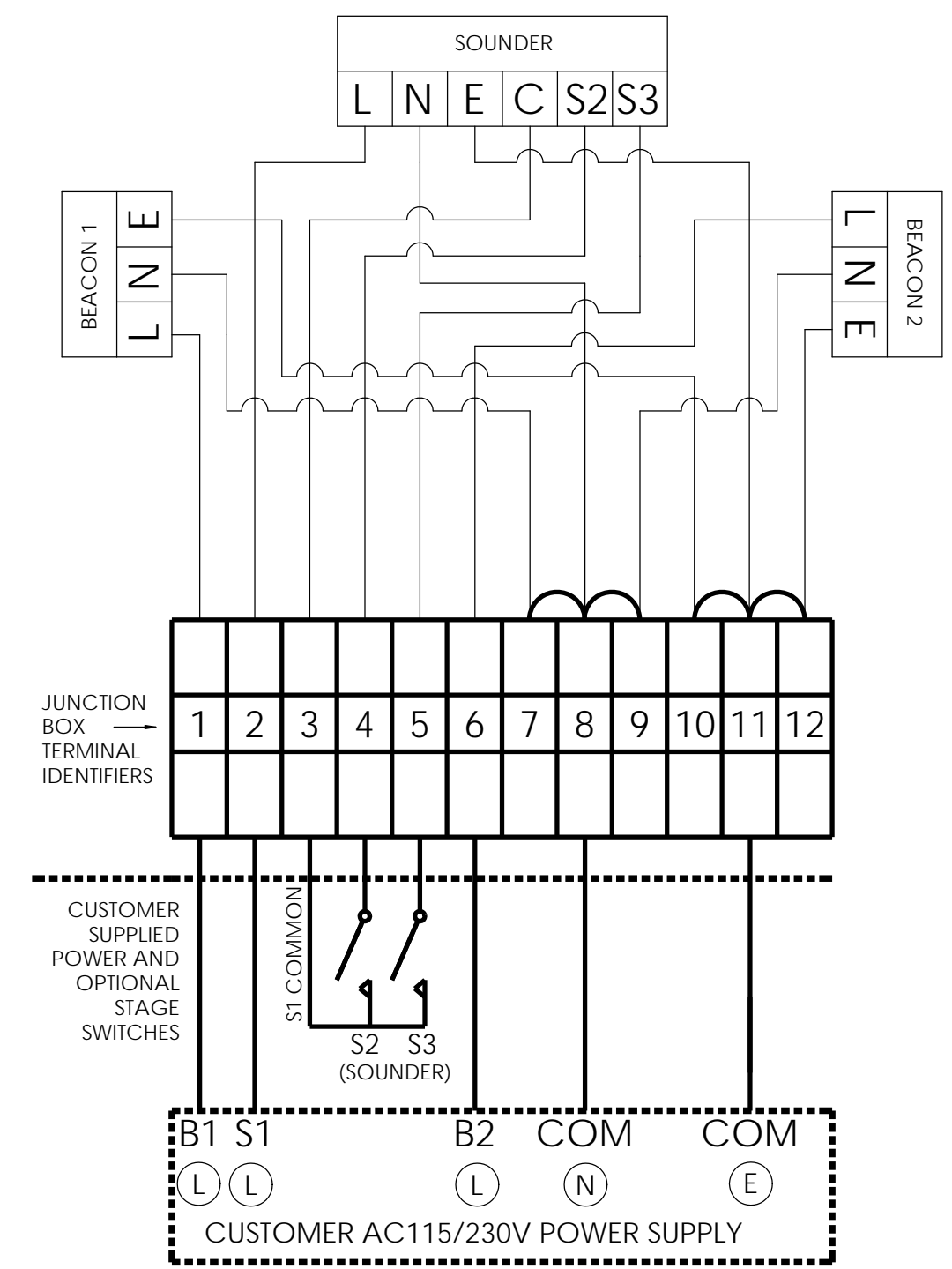
ALARM BAR WITH DC LED BEACONS



Legend			
Abbreviation	Description	Terminal	
B1 +	BEACON 1 POSITIVE	1	
Optional	S2	BEACON 1 STAGE 2 SWITCH	2
	S3	BEACON 1 STAGE 3 SWITCH	3
S1 +	SOUNDER POSITIVE	4	
Optional	S2	SOUNDER STAGE 2 SWITCH	5
	S3	SOUNDER STAGE 3 SWITCH	6
B2 +	BEACON 2 POSITIVE	7	
Optional	S2	BEACON 2 STAGE 2 SWITCH	8
	S3	BEACON 2 STAGE 3 SWITCH	9
COM -	COMMON NEGATIVE	10, 11 OR 12	

Note:
All switches shown to be supplied by customer

ALARM BAR WITH AC SUPPLY (ALL BEACON TYPES)



Legend			
Abbreviation	Description	Terminal	
B1 (L)	BEACON 1 LIVE	1	
S1 (L)	SOUNDER LIVE	2	
Optional	S1 COMMON	SOUNDER COMMON	3
	S2	SOUNDER STAGE 2 SWITCH	4
	S3	SOUNDER STAGE 3 SWITCH	5
B2 (L)	BEACON 2 LIVE	6	
COM (N)	COMMON NEUTRAL	7, 8 OR 9	
COM (E)	COMMON EARTH	10, 11 OR 12	

Note:
All switches shown to be supplied by customer