

ISSUE	MOD No.	REASON - INITIAL - DATE
1		INTRODUCTION DAH - 19/09/2019

**E2S PART NO.**  
**D2xC4[J1][XX][XX]S1**

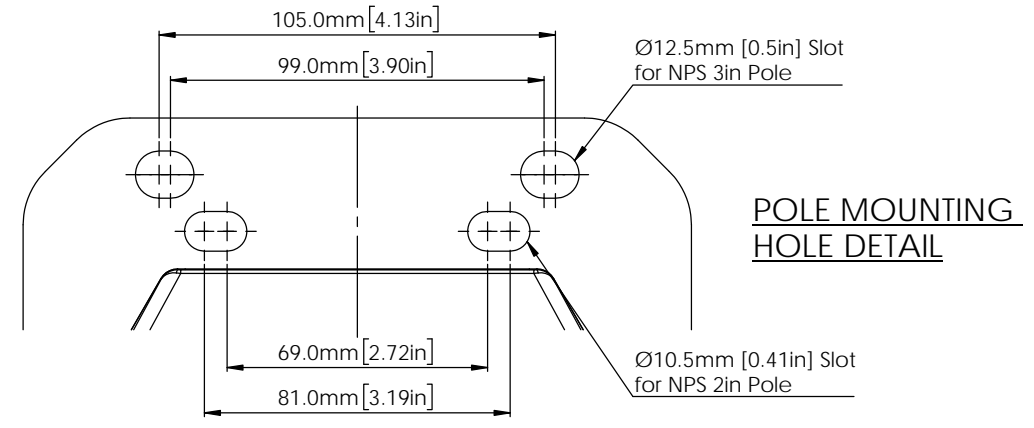
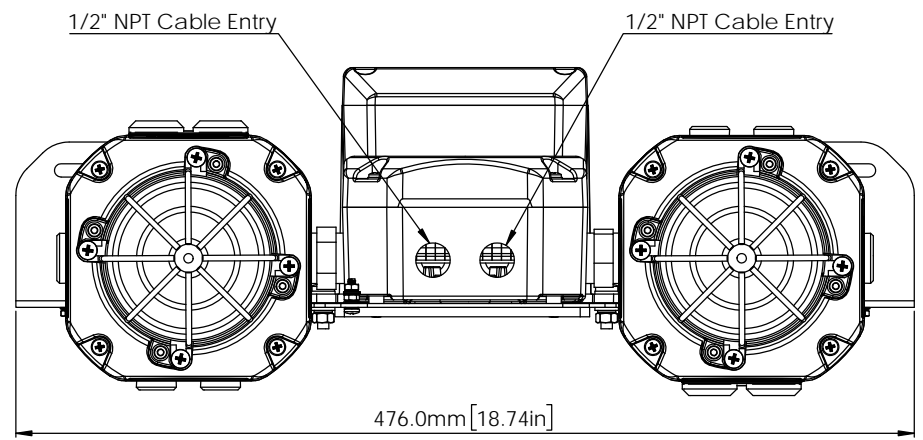
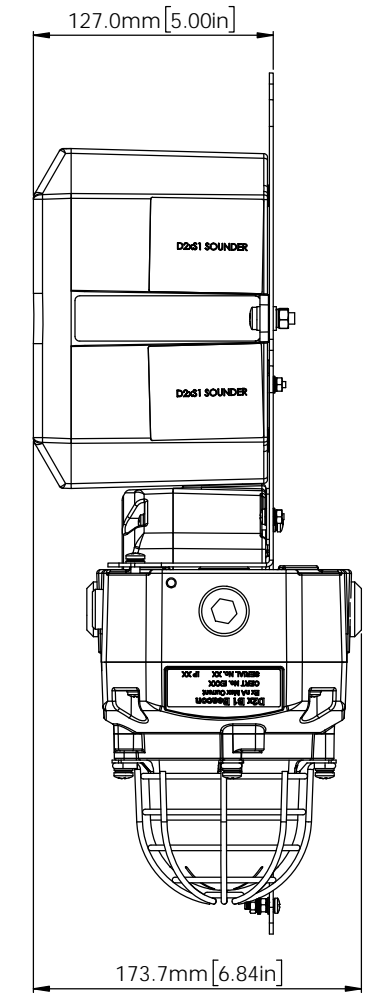
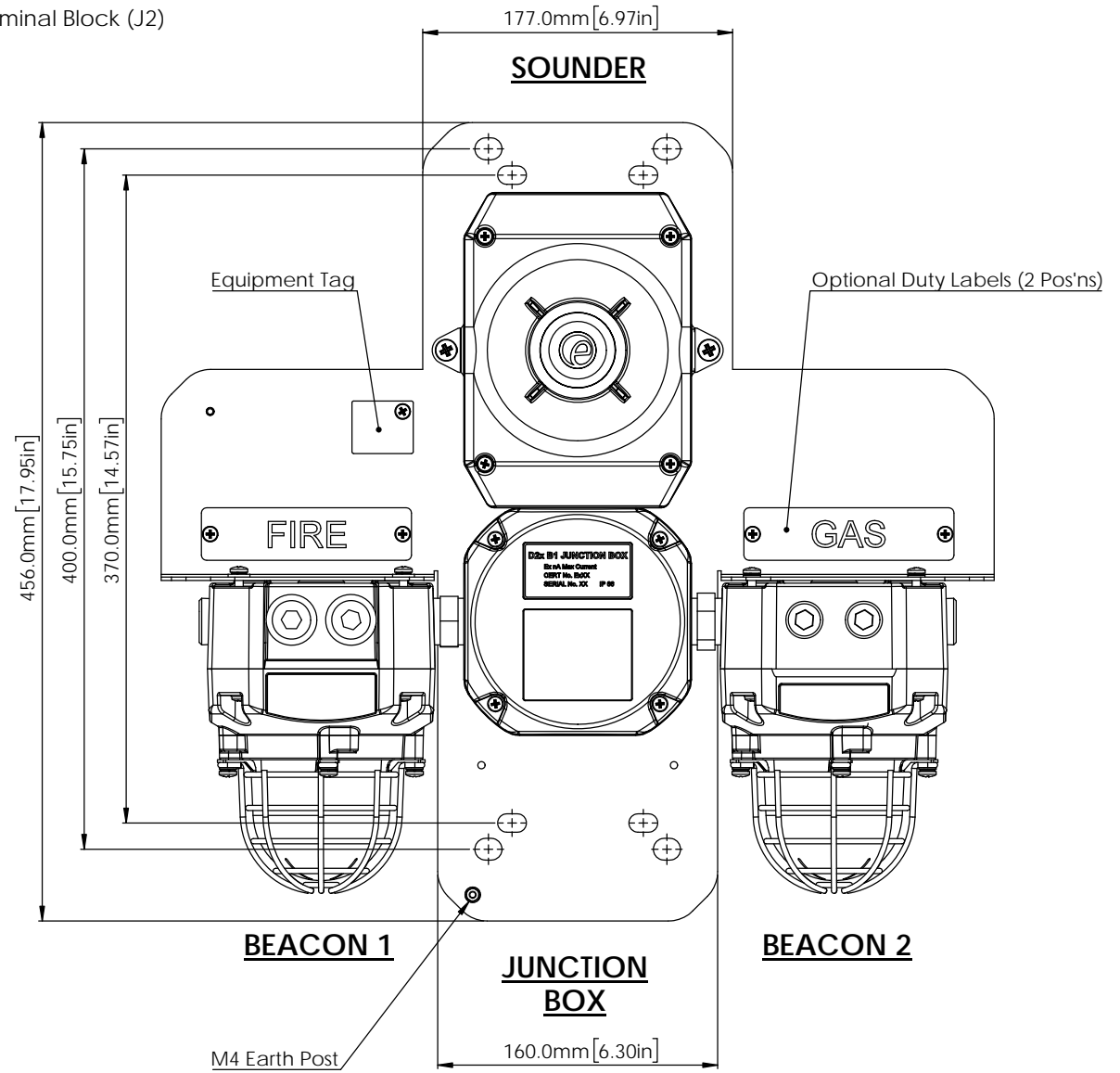
**DESCRIPTION**  
**D2xC4 ALARM BAR**

**DATA REFERENCE**  
**1-35-030**

BEACON 1  
BEACON 2

Code Options  
D2xC4 Stack Type  
[J1] Junction Box with DIN Rail (J1) / Terminal Block (J2)  
[XX] Beacon Type  
S1 Sounder

Cable Entries  
1/2" NPT or Adapters if selected



DRAWING TO BS888:2000 GEOMETRIC TOLERANCES TO ISO1101:1983 LINEAR DIMENSIONAL TOLS ANGULAR DIMENSIONAL TOLS	DRAWN	DATE	SURFACE FINISH FINISH	WEIGHT (kg)	THIS DRAWING AND ANY INFORMATION OR DESCRIPTIVE MATTER THEREIN IS COMMUNICATED IN CONFIDENCE AND IS THE COPYRIGHT PROPERTY OF EUROPEAN SAFETY SYSTEMS LTD. NEITHER THE WHOLE OR ANY EXTRACT MAY BE DISCLOSED, LOANED, COPIED OR USED FOR MANUFACTURING OR TENDERING PURPOSES WITHOUT THEIR WRITTEN CONSENT.	 EUROPEAN SAFETY SYSTEMS LTD IMPRESS HOUSE MANSELL ROAD ACTON LONDON W3 7QH WWW.E2S.COM	ALL DIMENSIONS IN MM IF IN DOUBT, ASK - DO NOT SCALE	 <b>A1</b>
	CHECKED	DATE						
STANDARDS PRODUCT REF	R.N.POTTS	19/09/19	ALTERNATIVE MATERIAL		 EUROPEAN SAFETY SYSTEMS LTD. AS PER LATEST DATE OF ISSUE SHOWN ABOVE	 EUROPEAN SAFETY SYSTEMS LTD IMPRESS HOUSE MANSELL ROAD ACTON LONDON W3 7QH WWW.E2S.COM	TITLE <b>D2xC4 ALARM BAR</b> OUTLINE DRAWING	DRAWING NUMBER <b>D214-05-001</b>
	APPROVED	DATE						
	R.N.POTTS	19/09/19					1:2	1 OF 1