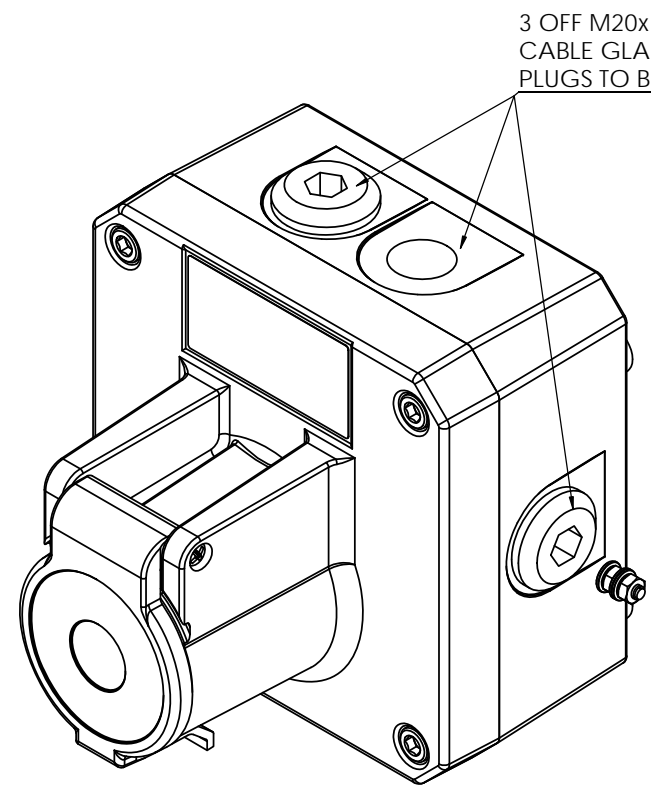
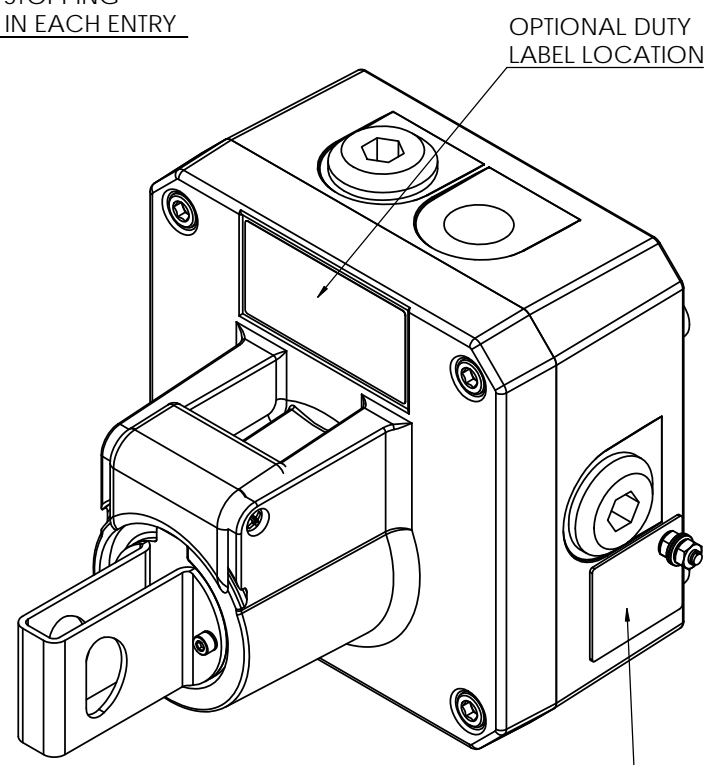


ISSUE	MOD No.	REASON - INITIAL - DATE
A		Introduction RSR 10-10-2019
B		OPTIONAL DUTY LABEL AND EQUIPMENT TAG SHOWN RSR 11-02-2020



3 OFF M20x1.5mm Ex d APPROVED
CABLE GLAND OR STOPPING
PLUGS TO BE USED IN EACH ENTRY

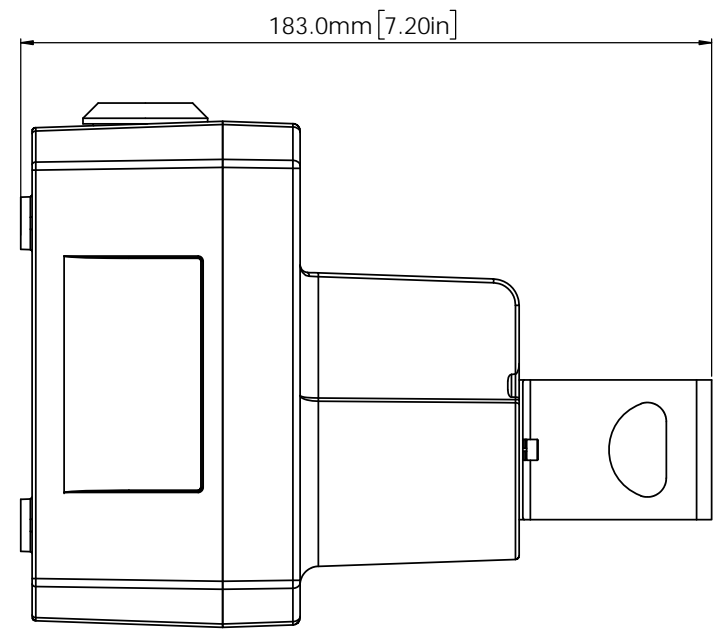
ISO VIEW SHOWN WITH FLIP LID CLOSED
(GNEXCP7PT / GNEXCP7PM)



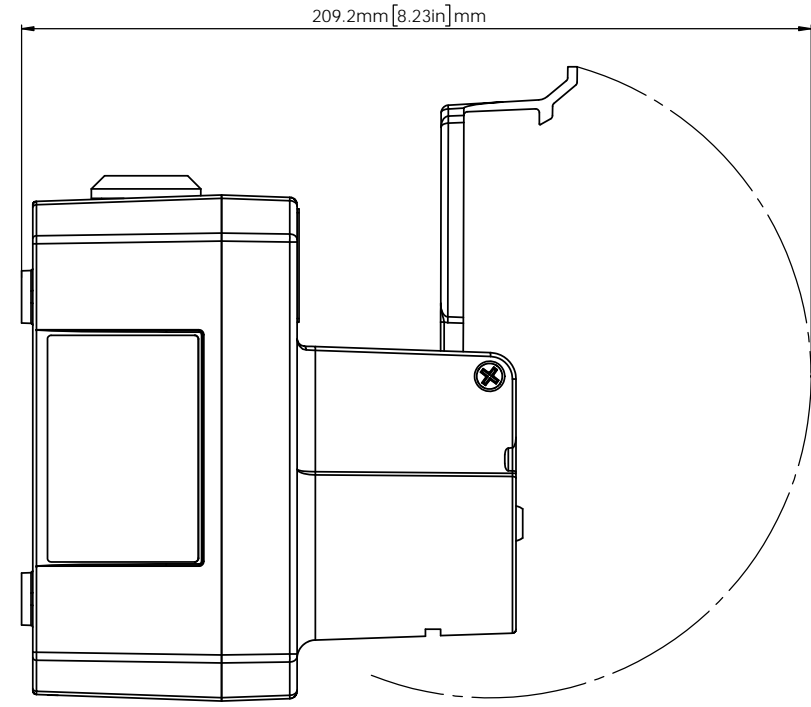
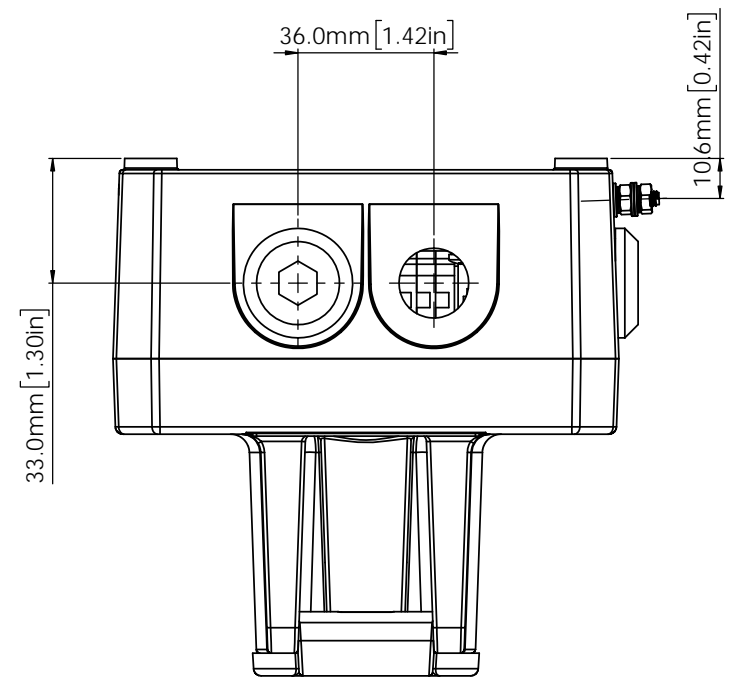
OPTIONAL DUTY
LABEL LOCATION

ISO VIEW SHOWN (GNEXCP7PB)

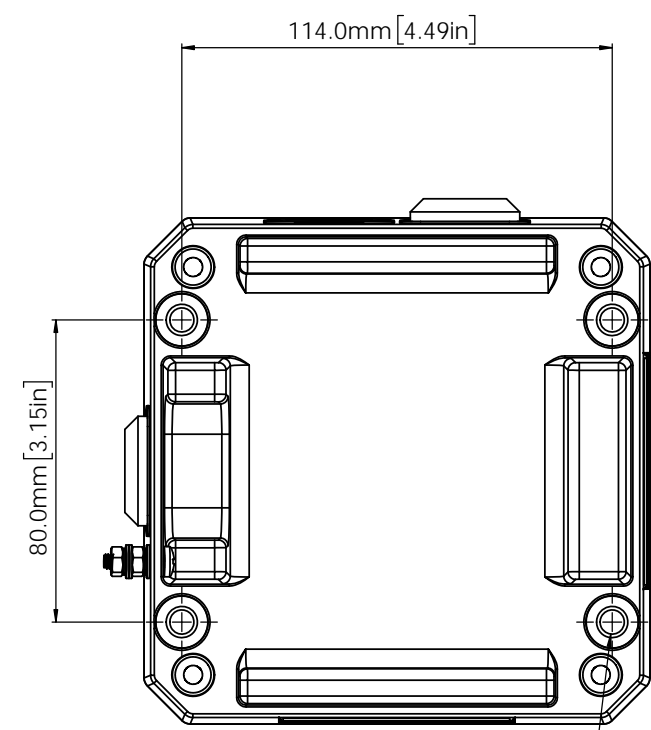
OPTIONAL
EQUIPMENT
TAG LOCATION



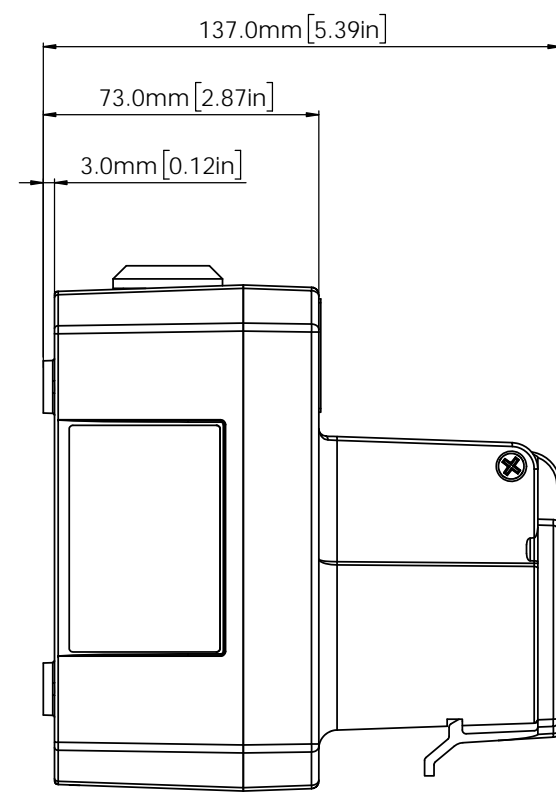
GNEXCP7PB SHOWN



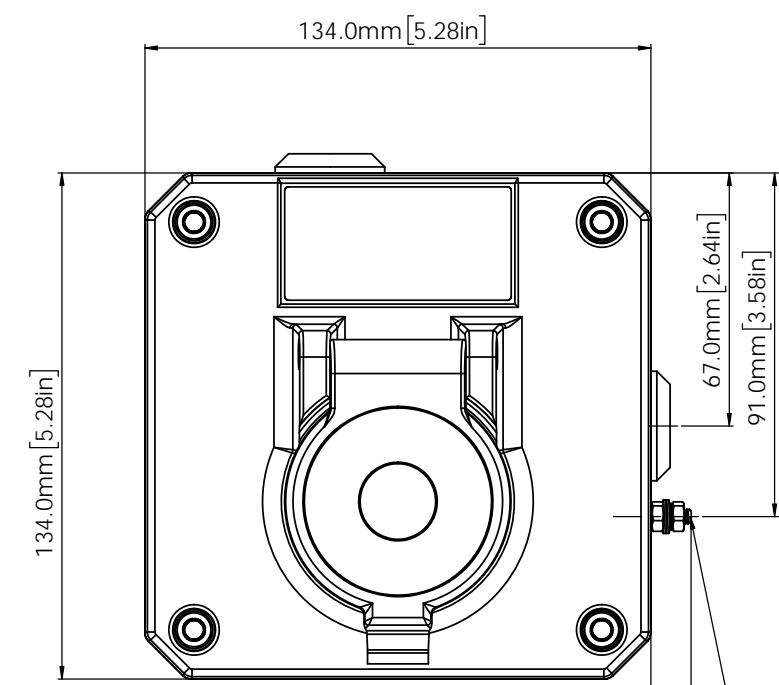
SIDE VIEW SHOWN WITH FLIP LID OPEN
MOMENTARY/TOOL RESET VERSION



Ø6.4mm [0.25in]
MOUNTING HOLES 4 OFF



(GNEXCP7PT / GNEXCP7PM) SHOWN



EXTERNAL M4
EARTH STUD

E2S PART No.	DESCRIPTION	DATA REFERENCE
GNExCP7-PT	GRP PUSH BUTTON (TOOL RESET) GENERAL SIGNALING PUSH BUTTON CALL POINT	1-24-160
GNExCP7-PM	GRP PUSH BUTTON (MOMENTARY) GENERAL SIGNALING PUSH BUTTON CALL POINT	1-24-170
GNExCP7-PB	GRP PUSH BUTTON (DUAL ACTION) GENERAL SIGNALING PUSH BUTTON CALL POINT	1-24-180

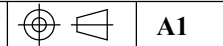
STANDARDS	PRODUCT REF	DRAWN	DATE	SURFACE FINISH	WEIGHT (kg)
DRAWING TO BS888:2000 GEOMETRIC TOLERANCES TO ISO1101:1983 LINEAR DIMENSIONAL TOLS ANGULAR DIMENSIONAL TOLS		R.N.POTTS	29-03-2019		
		CHECKED	DATE	MATERIAL	
		B.ISARD	29-03-2019		
		APPROVED	DATE	ALTERNATIVE MATERIAL	
		R.N.POTTS	29-03-2019		

THIS DRAWING AND ANY INFORMATION OR DESCRIPTIVE
MATTER THEREIN IS COMMUNICATED IN CONFIDENCE AND
IS THE COPYRIGHT PROPERTY OF EUROPEAN SAFETY
SYSTEMS LTD. NEITHER THE WHOLE OR ANY EXTRACT MAY
BE DISCLOSED, LOANED, COPIED OR USED FOR
MANUFACTURING OR TENDERING PURPOSES WITHOUT THEIR
WRITTEN CONSENT.

EUROPEAN SAFETY SYSTEMS LTD.
AS PER LATEST DATE OF ISSUE SHOWN ABOVE.

TITLE	SCALE	SHEET	DRAWING NUMBER
GNExCP7-PT/PB/PM PUSH BUTTON - TOOL RESET / DUAL ACTION / MOMENTARY CALL POINT OUTLINE DRAWING	1:1	1 OF 1	D202-05-211

ALL DIMENSIONS IN MM
IF IN DOUBT, ASK -
DO NOT SCALE



EUROPEAN SAFETY SYSTEMS LTD
IMPRESS HOUSE
MANSELL ROAD
ACTON
LONDON W3 7QH
WWW.E2S.COM