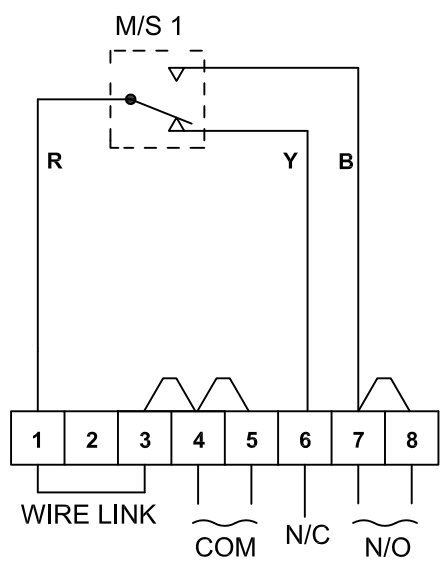
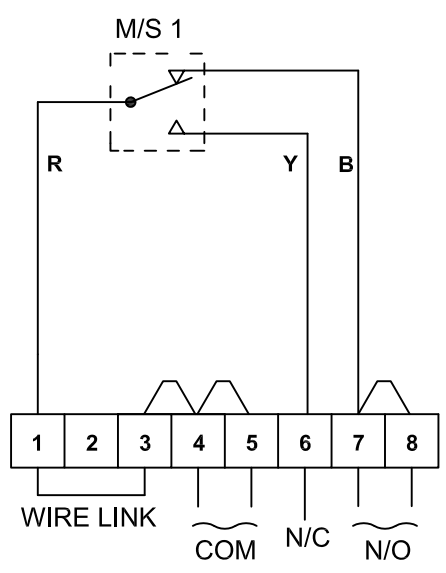


1	2	3	4	5	6	7	8	9	10	
<b>E2S PART NO.</b>	<b>DESCRIPTION</b>				<b>DATA REFERENCE</b>	<div style="border: 1px solid black; padding: 5px; text-align: center;">           FOR PERMITTED MIN/MAX            VALUES OF EOL &amp; SERIES            DEVICES, PLEASE REFER TO            INSTRUCTIONS         </div>		ISSUE	MOD No.	INITIAL/DATE
GNEExCP7-PB	GNEExCP7 Ex d GRP CALL POINT PUSH BUTTON				1.24.180			1		Introduction RSR 06-03-2020
GNEExCP7-PM	GNEExCP7 Ex d GRP CALL POINT MOMENTARY PUSH BUTTON				1.24.170			2	ACN0076	New Style Wiring diagrams RSR 24-03-2020
GNEExCP7-PT	GNEExCP7 Ex d GRP CALL POINT PUSH BUTTON TOOL RESET				1.24.160					
GNEExCP7 [ ] [S] [D]		SWITCH TYPE: [S] - Single Microswitch		TERMINAL TYPE [D] - DIN RAIL						

Standard Unit as supplied by E2S  
Without Series / EOL Devices

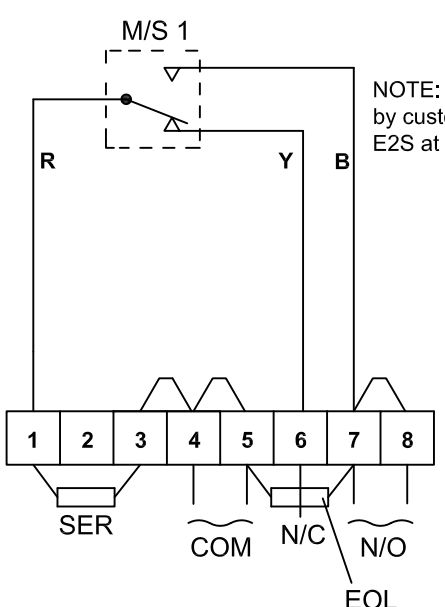


1A - Circuit as shown in Unoperated condition  
Terminals (4/5) & (7/8) open  
Terminals (4/5) & (6) closed

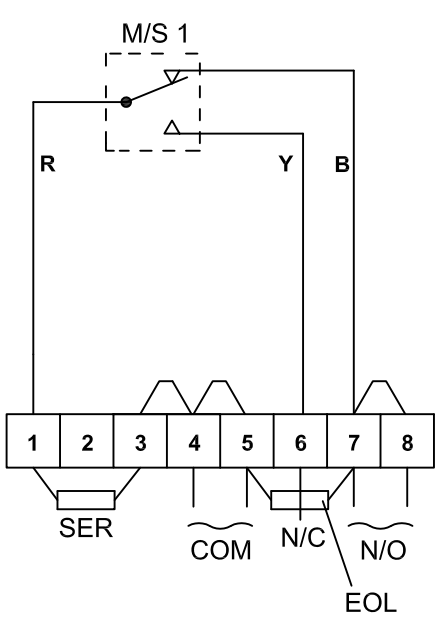


1B - Circuit as shown in Unoperated condition  
Terminals (4/5) & (7/8) closed  
Terminals (4/5) & (6) open

Standard Unit showing positions  
of optional Series / EOL Devices

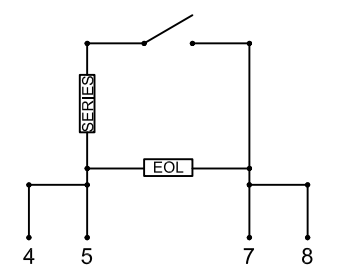


2A - Circuit as shown in Unoperated condition  
Terminals (4/5) & (7/8) open  
Terminals (4/5) & (6) closed

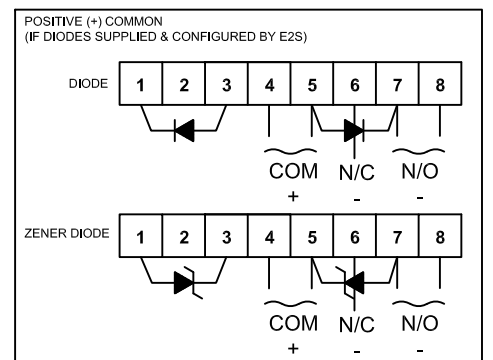


2B - Circuit as shown in Unoperated condition  
Terminals (4/5) & (7/8) open  
Terminals (4/5) & (6) closed

Wiring option shown with EOL & series devices acting in series

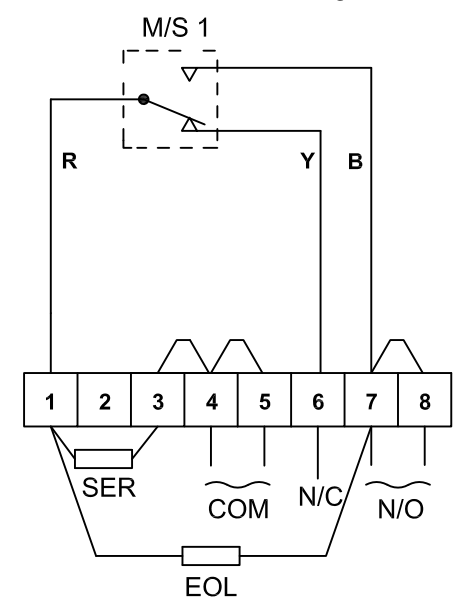


When fitting diodes or zener diodes, polarity across devices must be observed  
(Resistor polarity is unimportant)

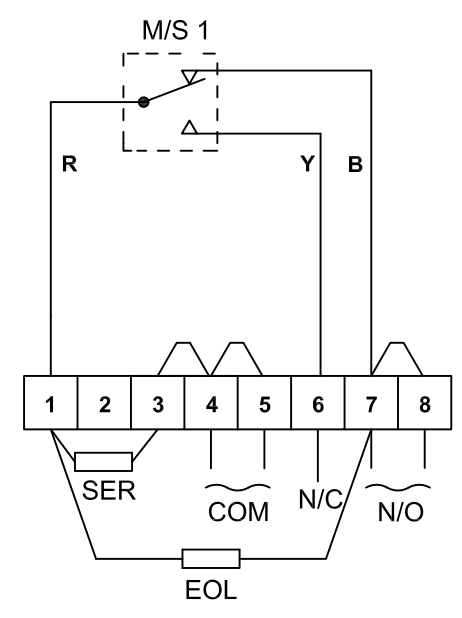


**KEY:**  
 COM - Common  
 N/C - Normally Closed  
 (Contacts closed in unoperated state)  
 N/O - Normally Open  
 (Contacts open in unoperated state)

Standard Unit with suggested Series / EOL  
Devices - Alternative Configuration

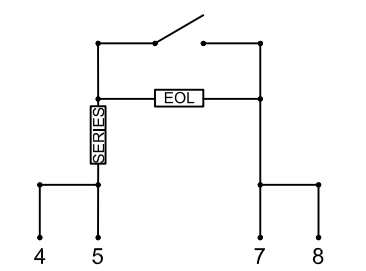


3A - Circuit as shown in Unoperated condition  
Terminals (4/5) & (7/8) open  
Terminals (4/5) & (6) closed

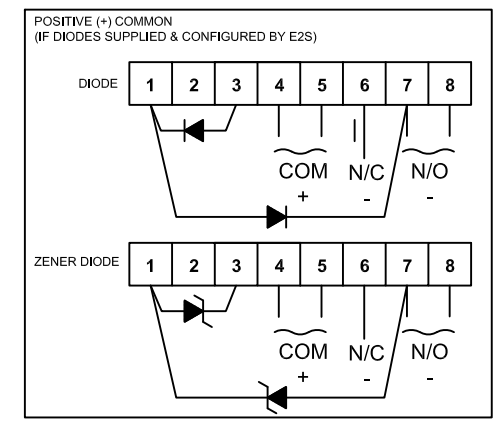


3B - Circuit as shown in Operated condition  
Terminals (4/5) & (7/8) closed  
Terminals (4/5) & (6) open

Wiring option shown with EOL & series devices acting in parallel



When fitting diodes or zener diodes, polarity across devices must be observed  
(Resistor polarity is unimportant)



DRAWING TO BS8888:2000 GEOMETRIC TOLERANCES TO ISO1101:1983 LINEAR DIMENSIONAL TOLS +/-0.35mm ANGULAR DIMENSIONAL TOLS +/-2 deg
STANDARDS GNEExCP7

DRAWN R.S.RAIT	DATE 05-03-2020
CHECKED B.ISARD	DATE 05-03-2020
APPROVED R.N.POTTS	DATE 05-03-2020

SURFACE FINISH	WEIGHT (Kg)
MATERIAL	
ALTERNATIVE MATERIAL	

THIS DRAWING AND ANY INFORMATION OR DESCRIPTIVE MATTER THEREIN IS COMMUNICATED IN CONFIDENCE AND IS THE COPYRIGHT PROPERTY OF EUROPEAN SAFETY SYSTEMS LTD. NEITHER THE WHOLE OR ANY EXTRACT MAY BE DISCLOSED, LOANED, COPIED OR USED FOR MANUFACTURING OR TENDERING PURPOSES WITHOUT THEIR WRITTEN CONSENT.

© EUROPEAN SAFETY SYSTEMS LTD.  
AS PER LATEST DATE OF ISSUE SHOWN ABOVE

EUROPEAN SAFETY SYSTEMS LTD  
IMPRESS HOUSE  
MANSELL ROAD  
ACTON  
LONDON W3 7QH  
WWW.E2S.COM

ALL DIMENSIONS IN MM IF IN DOUBT, ASK - DO NOT SCALE		<b>A3</b>
TITLE GNEExCP7 CALL POINT WIRING / CIRCUIT OPERATION DIAGRAM		
SCALE NTS	SHEET 1 OF 3	DRAWING NUMBER D202-06-211

8	9	10
ISSUE	MOD No.	INITIAL/DATE
1		Introduction RSR 06-03-2020
2	ACN0076	New Style Wiring diagrams RSR 24-03-2020

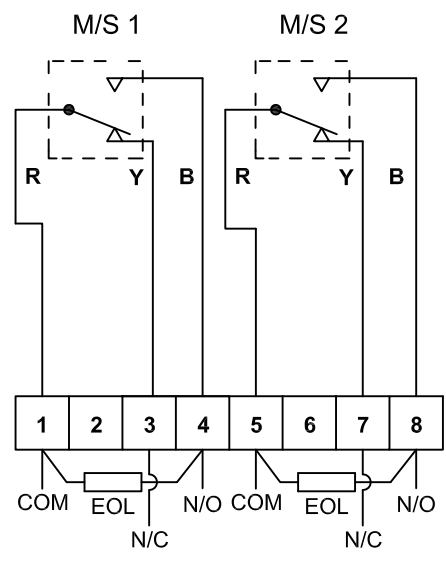
GNExCP7 [ ] [D] [D] SWITCH TYPE: [D] - Double Microswitch TERMINAL TYPE [D] - DIN RAIL

GNExCP7 [ ] [X] [D] SWITCH TYPE: [X] - SPECIAL ORDER TERMINAL TYPE [D] - DIN RAIL

Standard Unit showing positions of optional Series / EOL Devices

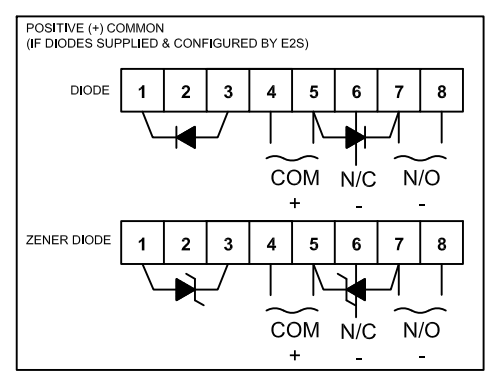
Other wiring configurations are available pre-configured (e.g. Dual switch configured with series and EOL devices)

Contact E2S salse for special wiring request

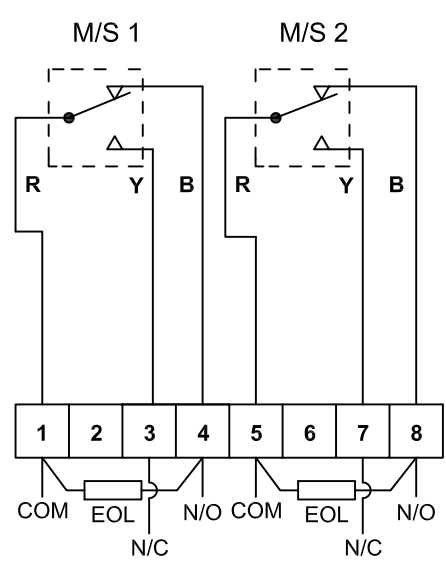


NOTE: These can be fitted either by customer or pre-installed by E2S at point of order.

When fitting diodes or zener diodes, polarity across devices must be observed (Resistor polarity is unimportant)



4A - Circuit as shown in Unoperated condition  
Terminals (1) & (4) M/S 1 and (5) & (8) M/S 2 open  
Terminals (1) & (3) M/S 1 and (5) & (7) M/S 2 closed



FOR PERMITTED MIN/MAX VALUES OF EOL & SERIES DEVICES, PLEASE REFER TO INSTRUCTIONS

4B - Circuit as shown in Operated condition  
Terminals (1) & (4) M/S 1 and (5) & (8) M/S 2 closed  
Terminals (1) & (3) M/S 1 and (5) & (7) M/S 2 open

DRAWING TO BS8888:2000 GEOMETRIC TOLERANCES TO ISO1101:1983 LINEAR DIMENSIONAL TOLS +/-0.35mm ANGULAR DIMENSIONAL TOLS +/-2 deg	DRAWN	DATE
	R.S.RAIT	05-03-2020
	CHECKED	DATE
STANDARDS	B.ISARD	05-03-2020
	APPROVED	DATE
GNExCP7	R.N.POTTS	05-03-2020

SURFACE FINISH	WEIGHT (Kg)
MATERIAL	
ALTERNATIVE MATERIAL	

THIS DRAWING AND ANY INFORMATION OR DESCRIPTIVE MATTER THEREIN IS COMMUNICATED IN CONFIDENCE AND IS THE COPYRIGHT PROPERTY OF EUROPEAN SAFETY SYSTEMS LTD. NEITHER THE WHOLE OR ANY EXTRACT MAY BE DISCLOSED, LOANED, COPIED OR USED FOR MANUFACTURING OR TENDERING PURPOSES WITHOUT THEIR WRITTEN CONSENT.

© EUROPEAN SAFETY SYSTEMS LTD.  
AS PER LATEST DATE OF ISSUE SHOWN ABOVE

EUROPEAN SAFETY SYSTEMS LTD  
IMPRESS HOUSE  
MANSELL ROAD  
ACTON  
LONDON W3 7QH  
WWW.E2S.COM

ALL DIMENSIONS IN MM IF IN DOUBT, ASK - DO NOT SCALE		<b>A3</b>
TITLE GNExCP7 CALL POINT WIRING / CIRCUIT OPERATION DIAGRAM		
SCALE NTS	SHEET 2 OF 3	DRAWING NUMBER D202-06-211

SCALE	SHEET	DRAWING NUMBER
NTS	2 OF 3	D202-06-211

GNExCP7 [ ] [S] [P]  
GNExCP7 [ ] [D] [P]

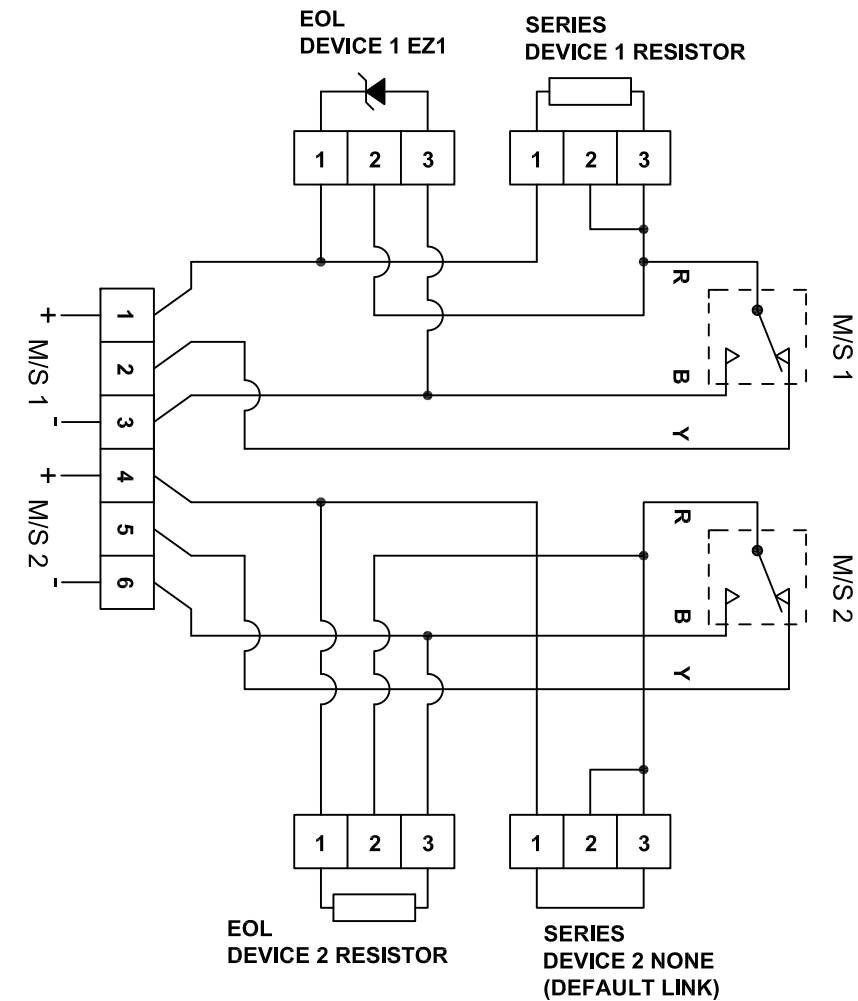
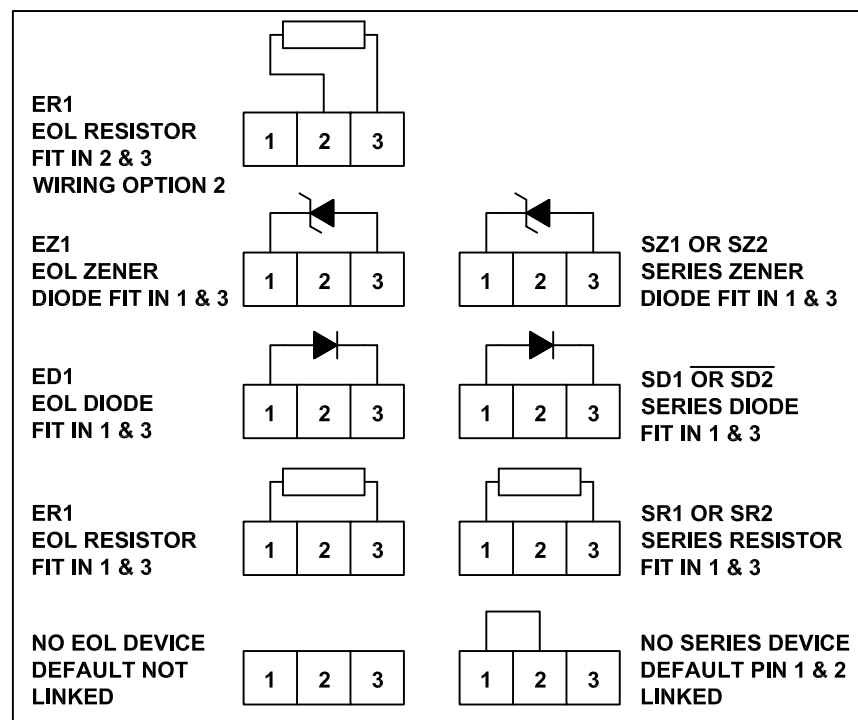
SWITCH TYPE: [S] - Single Microswitch  
SWITCH TYPE: [D] - Double Microswitch

TERMINAL TYPE [P] - PCB  
TERMINAL TYPE [P] - PCB

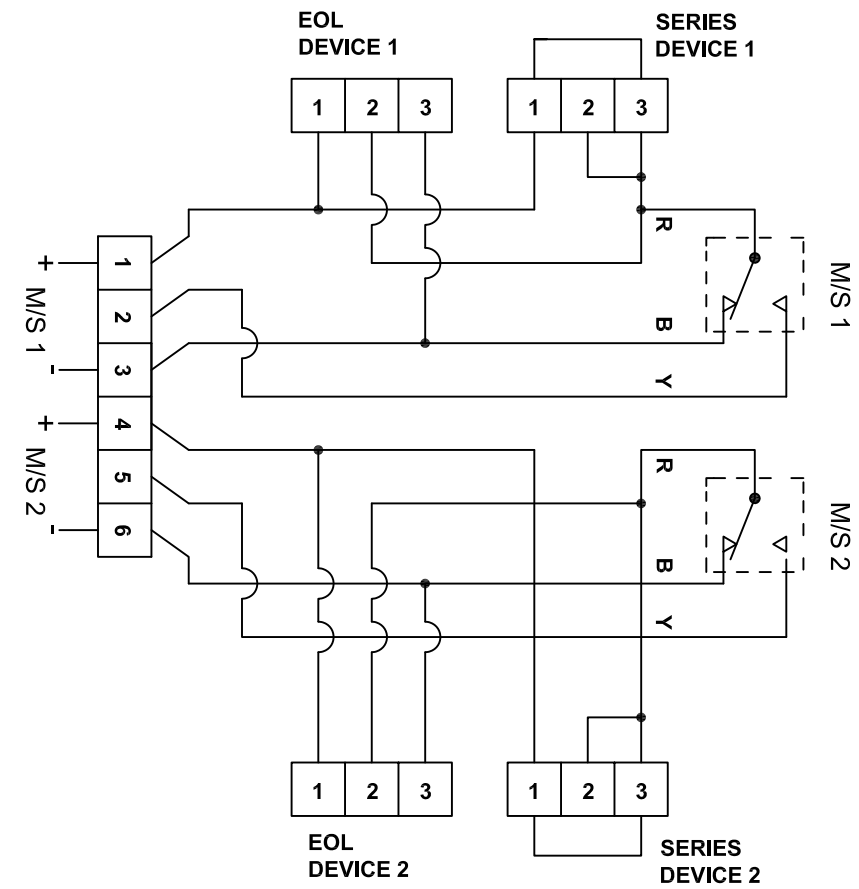
FOR PERMITTED MIN/MAX  
VALUES OF EOL & SERIES  
DEVICES, PLEASE REFER TO  
INSTRUCTIONS

Optional Single or Double Microswitch

Circuit shown with Double Microswitch, Unit un-operated : GNExCP7 PCB Version



5A - Circuit as shown in Unoperated condition  
Terminals +(1) & -(3) M/S 1 and +(4) & -(6) M/S 2 open  
Terminals +(1) & (2) M/S 1 and +(4) & (5) M/S 2 closed



5B - Circuit as shown in Operated condition  
Terminals +(1) & (2) M/S 1 and +(4) & (5) M/S 2 open  
Terminals +(1) & -(3) M/S 1 and +(4) & -(6) M/S 2 closed

ISSUE	MOD No.	INITIAL/DATE
1		Introduction RSR 06-03-2020
2	ACN0076	New Style Wiring diagrams RSR 24-03-2020

DRAWING TO BS8888:2000 GEOMETRIC TOLERANCES TO ISO1101:1983 LINEAR DIMENSIONAL TOLS +/-0.35mm ANGULAR DIMENSIONAL TOLS +/-2 deg
STANDARDS GNExCP7

DRAWN R.S.RAIT	DATE 05-03-2020
CHECKED B.ISARD	DATE 05-03-2020
APPROVED R.N.POTTS	DATE 05-03-2020

SURFACE FINISH	WEIGHT (Kg)
MATERIAL	
ALTERNATIVE MATERIAL	

THIS DRAWING AND ANY INFORMATION OR DESCRIPTIVE  
MATTER THEREIN IS COMMUNICATED IN CONFIDENCE AND IS  
THE COPYRIGHT PROPERTY OF EUROPEAN SAFETY SYSTEMS  
LTD. NEITHER THE WHOLE OR ANY EXTRACT MAY BE  
DISCLOSED, LOANED, COPIED OR USED FOR MANUFACTURING  
OR TENDERING PURPOSES WITHOUT THEIR WRITTEN  
CONSENT.

© EUROPEAN SAFETY SYSTEMS LTD.  
AS PER LATEST DATE OF ISSUE SHOWN ABOVE

EUROPEAN SAFETY SYSTEMS LTD  
IMPRESS HOUSE  
MANSELL ROAD  
ACTON  
LONDON W3 7QH  
WWW.E2S.COM

ALL DIMENSIONS IN MM IF IN DOUBT, ASK - DO NOT SCALE		<b>A3</b>
TITLE GNExCP7 CALL POINT WIRING / CIRCUIT OPERATION DIAGRAM		
SCALE NTS	SHEET 3 OF 3	DRAWING NUMBER D202-06-211