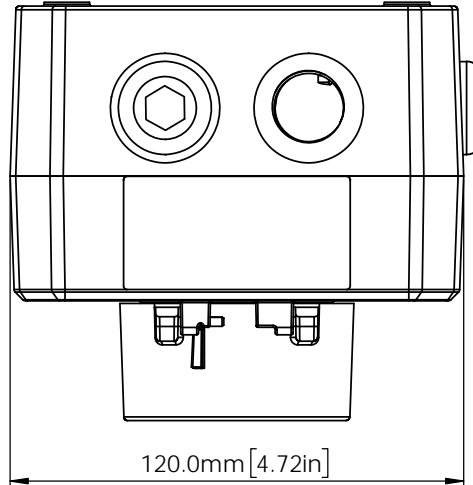


E2S PART NO.	DESCRIPTION	DATA REFERENCE
GNExCP6A-PB GNExCP6B-PB GNExCP6C-PB GNExCP6D-PB	GNExCP6-PB PUSH BUTTON MANUAL CALL POINT	1.24.030
GNExCP6A-PT GNExCP6B-PT GNExCP6C-PT GNExCP6D-PT	GNExCP6-PT TOOL RESET MANUAL CALL POINT	1.24.050

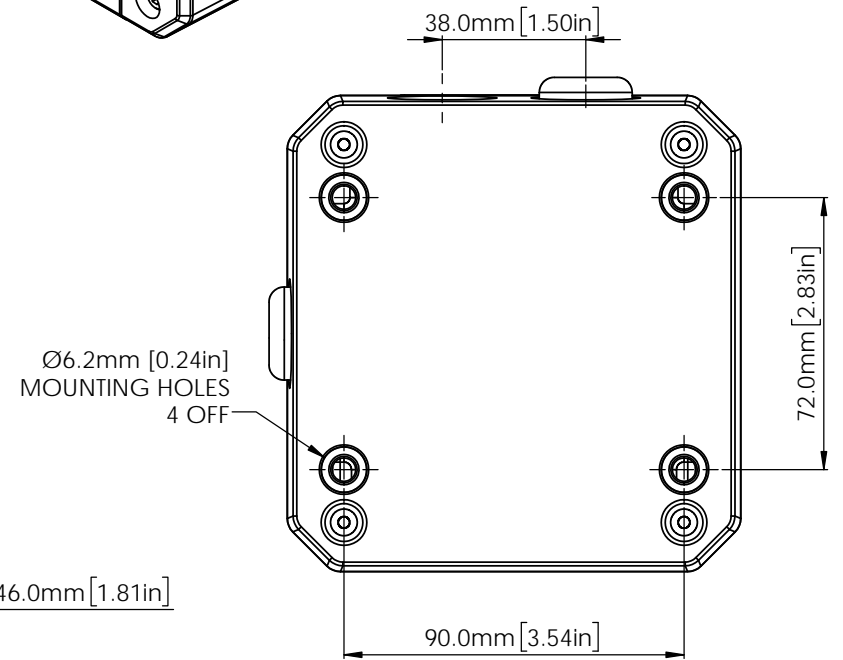
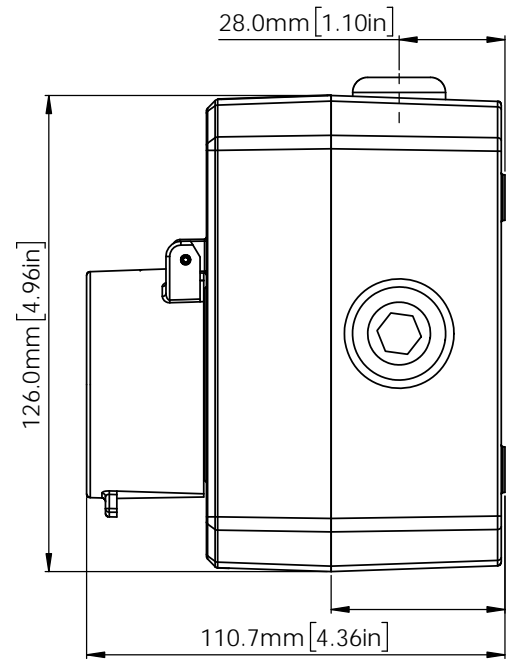
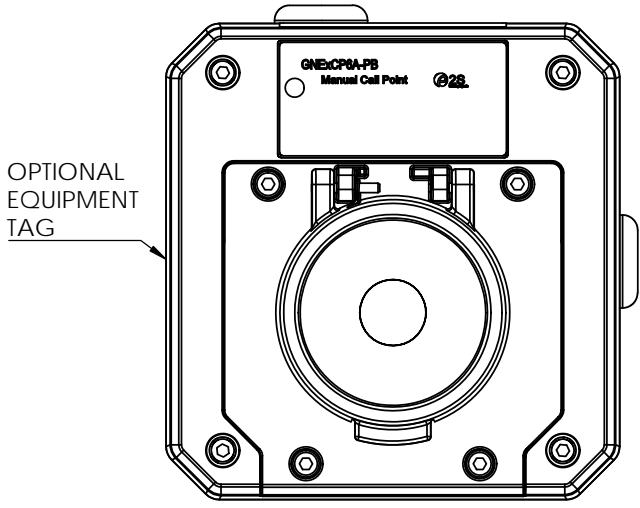
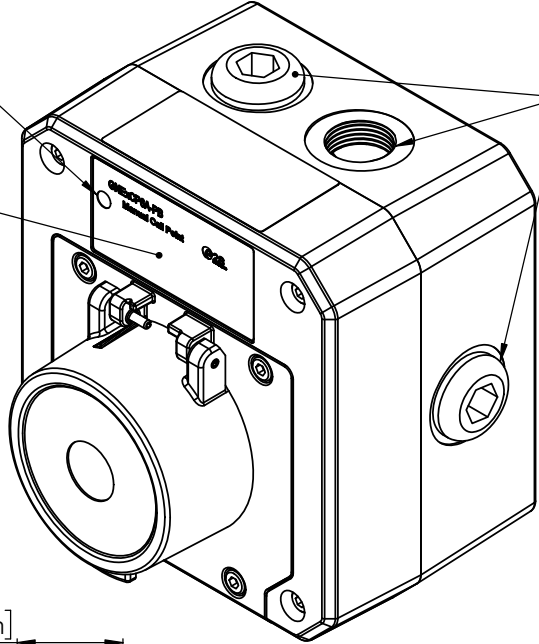
ISSUE	MOD No.	REASON - INITIAL - DATE
1		INTRODUCTION DAH - 03-02-2020



OPTIONAL L.E.D INDICATOR

OPTIONAL DUTY LABEL

ISOMETRIC VIEW



STANDARDS GNExCP6-PB GNExCP6-PT	DRAWN	DATE	SURFACE FINISH POWDER COAT	WEIGHT (kg)	THIS DRAWING AND ANY INFORMATION OR DESCRIPTIVE MATTER THEREIN IS COMMUNICATED IN CONFIDENCE AND IS THE COPYRIGHT PROPERTY OF EUROPEAN SAFETY SYSTEMS LTD. NEITHER THE WHOLE OR ANY EXTRACT MAY BE DISCLOSED, LOANED, COPIED OR USED FOR MANUFACTURING OR TENDERING PURPOSES WITHOUT THEIR WRITTEN CONSENT.	 EUROPEAN SAFETY SYSTEMS LTD IMPRESS HOUSE MANSELL ROAD ACTON LONDON W3 7QH WWW.E2S.COM	ALL DIMENSIONS IN MM IF IN DOUBT, ASK - DO NOT SCALE	 A2
	CHECKED	DATE	MATERIAL				TITLE GNExCP6-PB & GNExCP6-PT MANUAL CALL POINT OUTLINE DRAWING	
	APPROVED	DATE	ALTERNATIVE MATERIAL	SCALE			SHEET	
	R.N.POTTS	03-02-20			1:1	1 OF 1	D154-05-101	