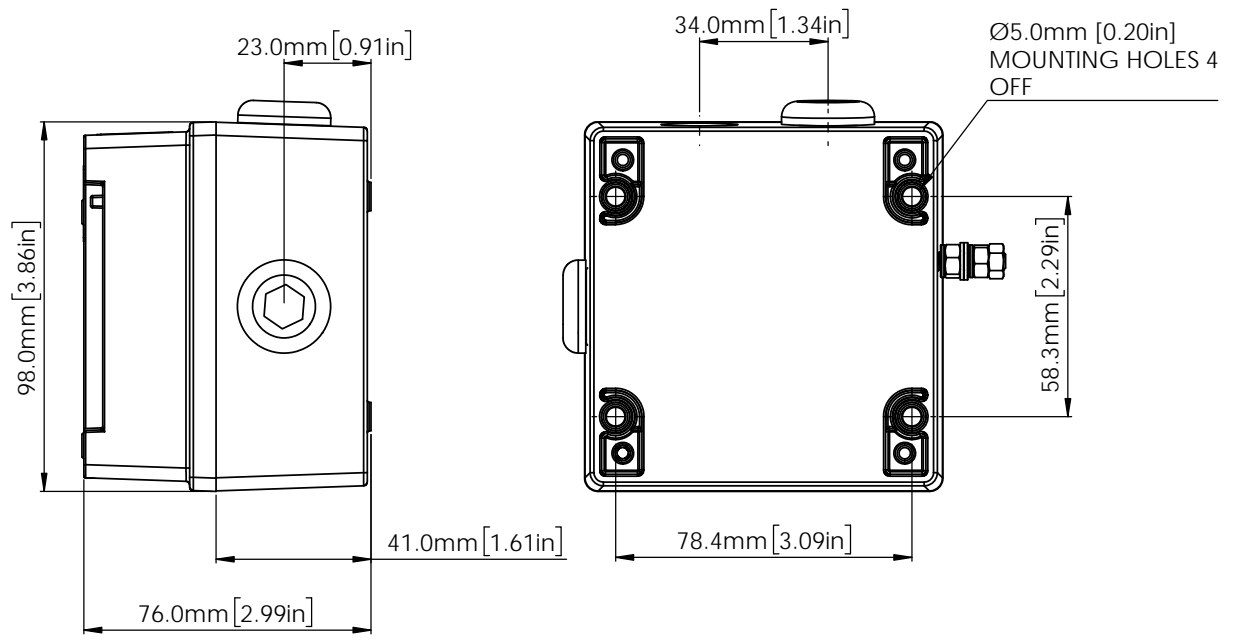
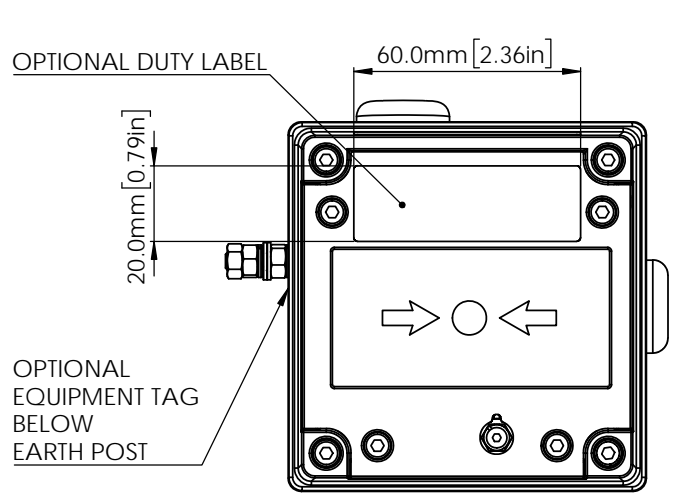
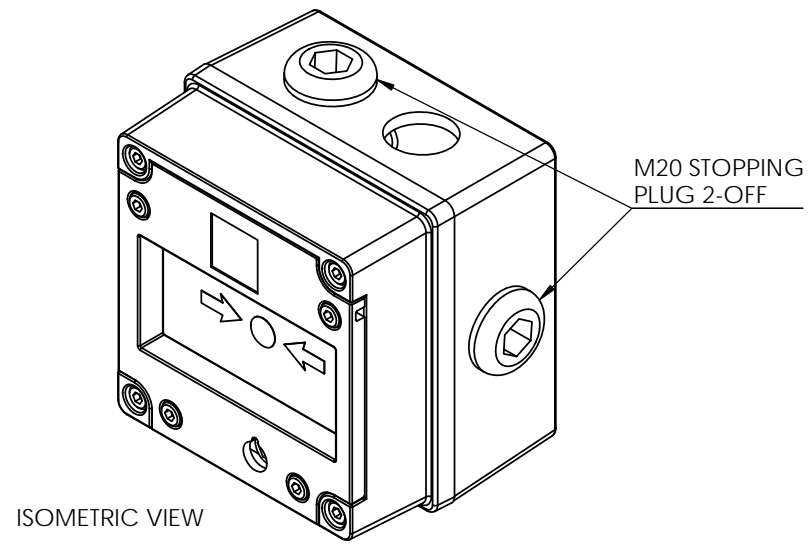
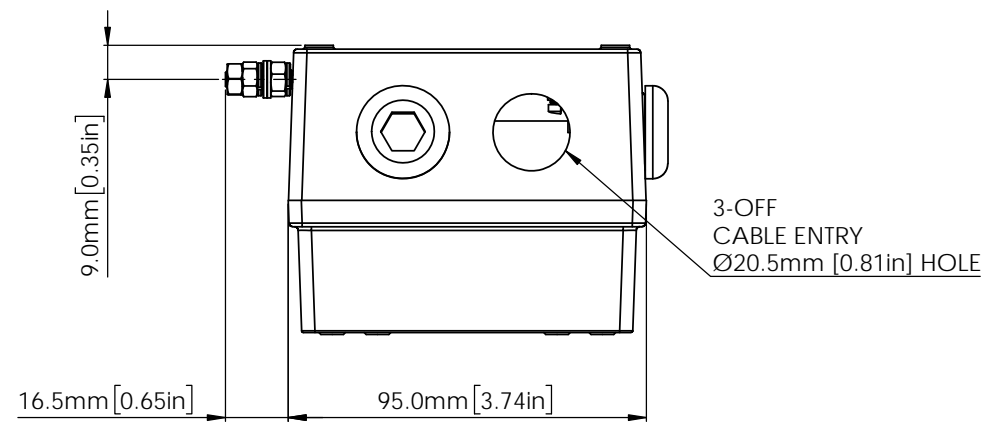


1	2	3	4	5	6	7	8	9	10	11	12	13	14	
E2S PART NO. DESCRIPTION DATA REFERENCE												ISSUE	MOD No.	REASON - INITIAL - DATE
WP3-BG WP3-BG WEATHERPROOF BREAK GLASS MANUAL CALL POINT 2-41-010												1		INTRODUCTION DAH - 31-01-20



DRAWING TO BS8888:2000 GEOMETRIC TOLERANCES TO ISO1101:1983 LINEAR DIMENSIONAL TOLS ANGULAR DIMENSIONAL TOLS	DRAWN	DATE	SURFACE FINISH	WEIGHT (kg)	THIS DRAWING AND ANY INFORMATION OR DESCRIPTIVE MATTER THEREIN IS COMMUNICATED IN CONFIDENCE AND IS THE COPYRIGHT PROPERTY OF EUROPEAN SAFETY SYSTEMS LTD. NEITHER THE WHOLE OR ANY EXTRACT MAY BE DISCLOSED, LOANED, COPIED OR USED FOR MANUFACTURING OR TENDERING PURPOSES WITHOUT THEIR WRITTEN CONSENT.	 EUROPEAN SAFETY SYSTEMS LTD IMPRESS HOUSE MANSELL ROAD ACTON LONDON W3 7QH WWW.E2S.COM	ALL DIMENSIONS IN MM IF IN DOUBT, ASK - DO NOT SCALE	 A2
	CHECKED	DATE	MATERIAL				TITLE WP3-BG WEATHERPROOF BREAK GLASS MANUAL CALL POINT OUTLINE	
	STANDARDS WP3-BG	APPROVED	DATE	ALTERNATIVE MATERIAL			SCALE 1:1	