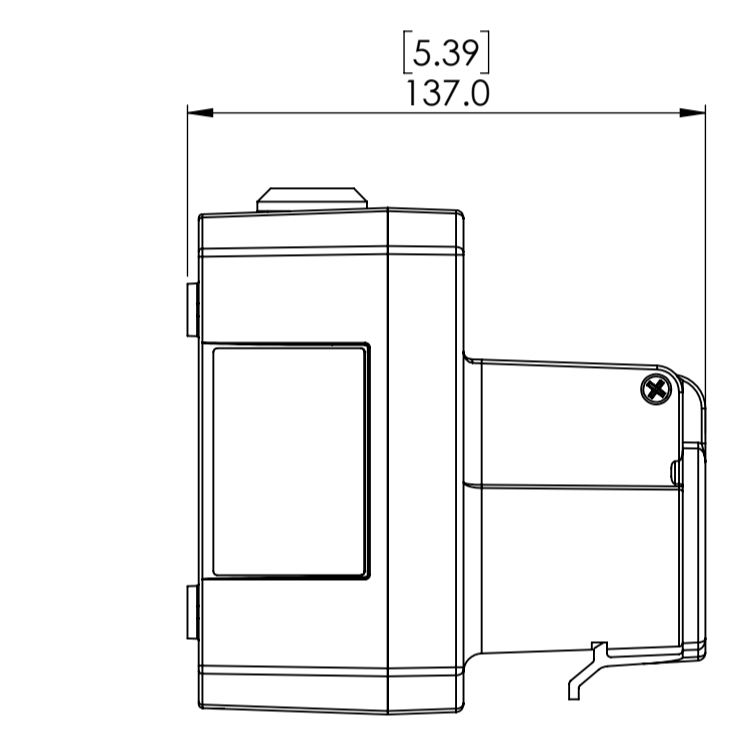
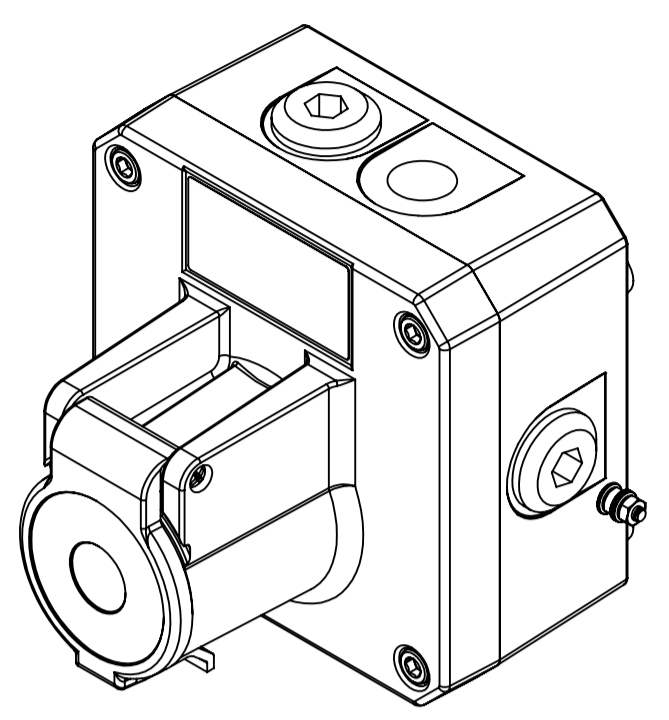
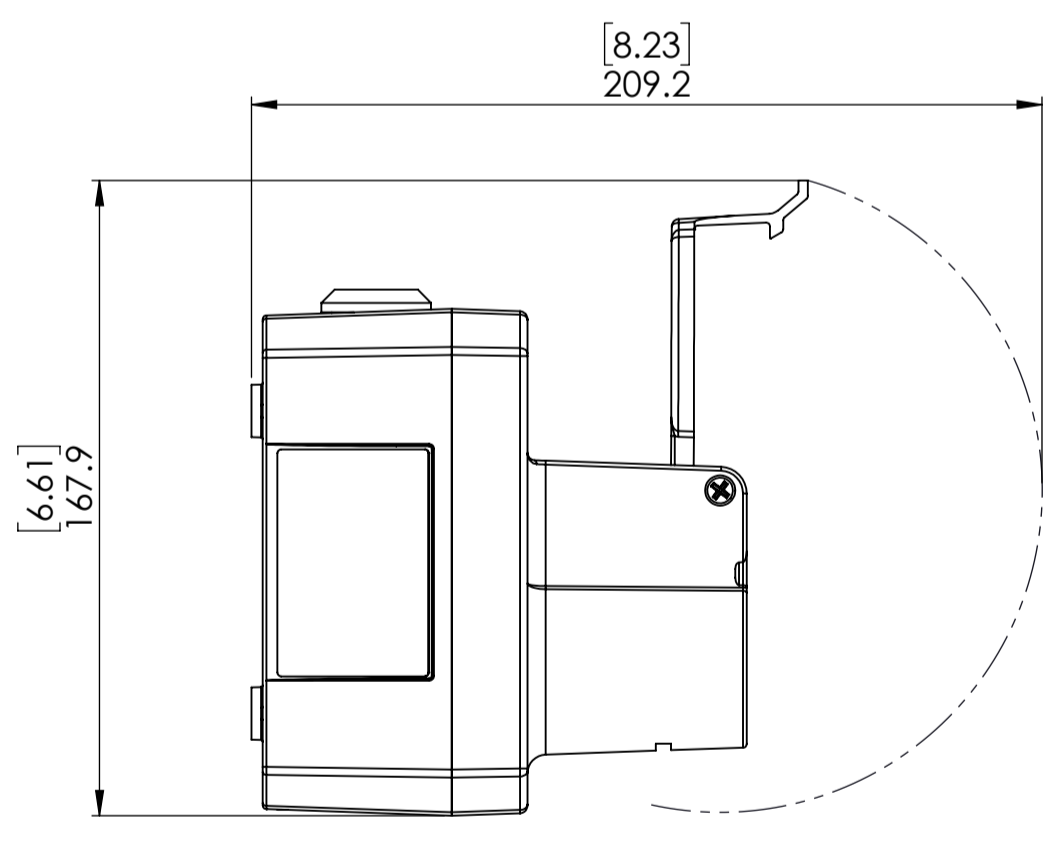


ISOMETRIC VIEW SHOWN  
WP7PT/ WP7PM  
PUSH BUTTON - TOOL RESET CALL POINT  
PUSH BUTTON - MOMENTARY ACTION CALL POINT

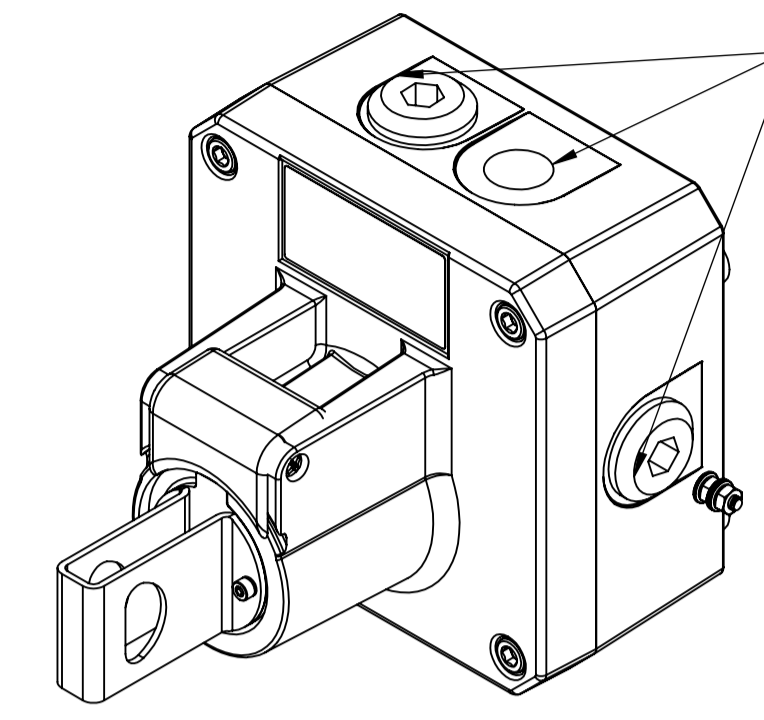


SIDE VIEW SHOWN WITH FLIP LID CLOSED

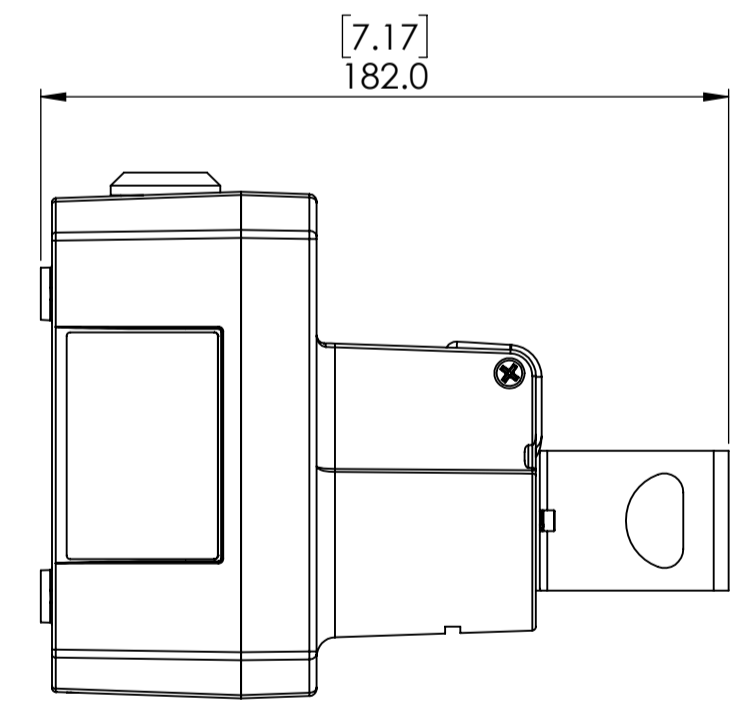
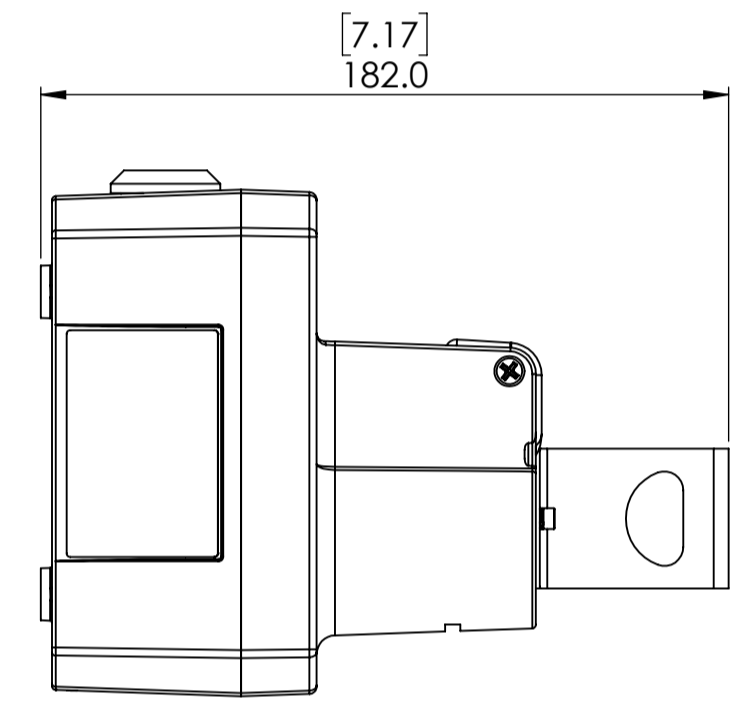


SIDE VIEW SHOWN WITH FLIP LID OPEN

ISOMETRIC VIEW SHOWN  
WP7PB  
PUSH BUTTON CALL POINT



3-OFF M20 x 1.5 CABLE GLAND  
OR STOPPING PLUG TO BE USED  
IN EACH ENTRY



WP7-PT GRP PUSH BUTTON (TOOL RESET) GENERAL SIGNALING PUSH BUTTON CALL POINT 2-41-050  
 WP7-PM GRP PUSH BUTTON (MOMENTARY) GENERAL SIGNALING PUSH BUTTON CALL POINT 2-41-040  
 WP7-PB GRP PUSH BUTTON (DUAL ACTION) GENERAL SIGNALING PUSH BUTTON CALL POINT 2-41-030

DRAWING TO BS8888:2000 GEOMETRIC TOLERANCES TO ISO1101:1983 LINEAR DIMENSIONAL TOLS ANGULAR DIMENSIONAL TOLS	DRAWN	DATE	SURFACE FINISH FINISH	WEIGHT (kg)	THIS DRAWING, AND ANY INFORMATION OR DESCRIPTIVE MATTER THEREIN IS COMMUNICATED IN CONFIDENCE AND IS THE COPYRIGHT PROPERTY OF EUROPEAN SAFETY SYSTEMS LTD. NEITHER THE WHOLE OR ANY EXTRACT MAY BE DISCLOSED, LOANED, COPIED OR USED FOR MANUFACTURING OR TENDERING PURPOSES WITHOUT THEIR WRITTEN CONSENT.	 EUROPEAN SAFETY SYSTEMS LTD IMPRESS HOUSE MANSELL ROAD ACTON LONDON W3 7QH WWW.ESS.COM	ALL DIMENSIONS IN MM IF IN DOUBT, ASK - DO NOT SCALE			 A1
	CHECKED	DATE					MATERIAL	TITLE	SCALE	
STANDARDS PRODUCT REF	R.N.POTTS	20/01/2020	ALTERNATIVE MATERIAL		 EUROPEAN SAFETY SYSTEMS LTD. AS PER LATEST DATE OF ISSUE SHOWN ABOVE		WP7 - PB/PT/PM CALL POINT PUSH BUTTON OUTLINE DRAWING	1:2	1 OF 1	D234-05-201
	APPROVED	DATE								
	R.N.POTTS	20/01/2020								