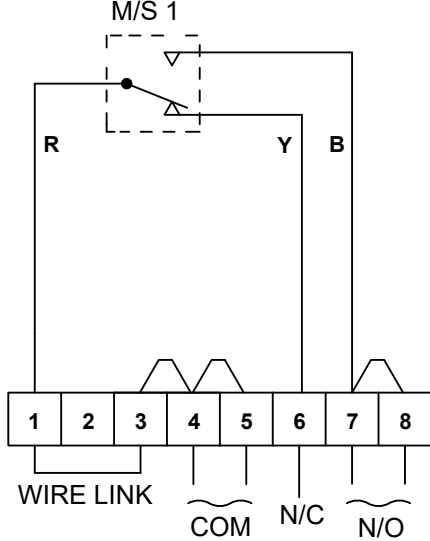


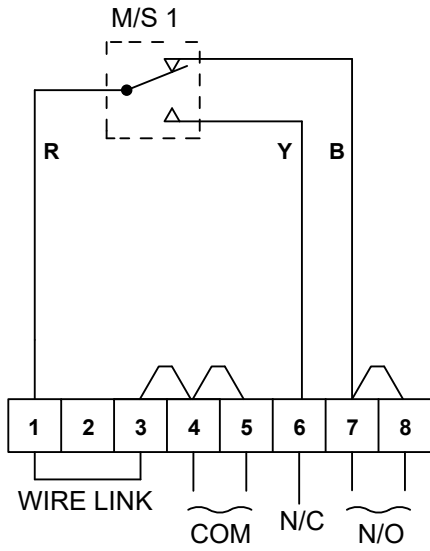
1	2	3	4	5	6	7	8	9	10	
<b>E2S PART NO.</b>	<b>DESCRIPTION</b>	<b>DATA REFERENCE</b>					<b>ISSUE</b>	<b>MOD No.</b>	<b>INITIAL/DATE</b>	
WP7-PB	WP7 WEATHERPROOF CALL POINT PUSH BUTTON	1.41.030					1		Introduction JS 11-02-2020	
WP7-PM	WP7 WEATHERPROOF CALL POINT MOMENTARY PUSH BUTTON	1.41.040								
WP7-PT	WP7 WEATHERPROOF CALL POINT PUSH BUTTON TOOL RESET	1.41.050								

WP7 [ ] [S] [D] SWITCH TYPE: [S] - Single Microswitch TERMINAL TYPE [D] - DIN RAIL

Standard Unit as supplied by E2S  
Without Series / EOL Devices

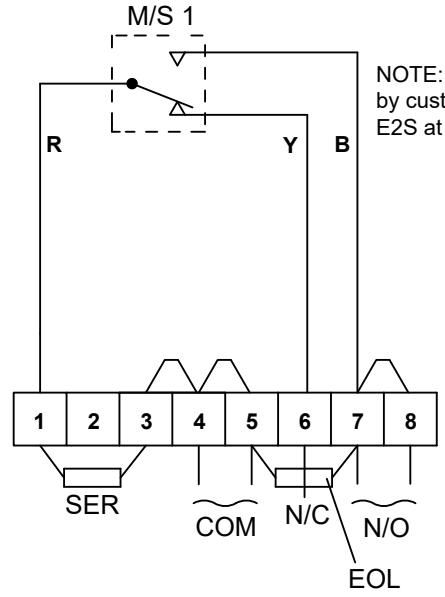


1A - Circuit as shown in Unoperated condition  
Terminals (4/5) & (7/8) open  
Terminals (4/5) & (6) closed

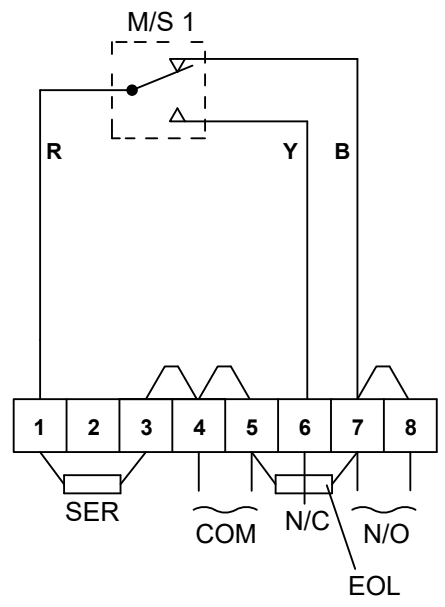


1B - Circuit as shown in Unoperated condition  
Terminals (4/5) & (7/8) closed  
Terminals (4/5) & (6) open

Standard Unit showing positions of  
optional Series / EOL Devices



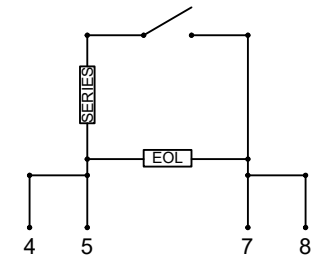
2A - Circuit as shown in Unoperated condition  
Terminals (4/5) & (7/8) open  
Terminals (4/5) & (6) closed



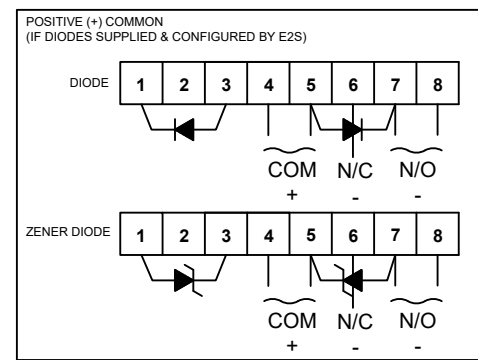
2B - Circuit as shown in Unoperated condition  
Terminals (4/5) & (7/8) closed  
Terminals (4/5) & (6) open

NOTE: These can be fitted either  
by customer or pre-installed by  
E2S at point of order.

Wiring option shown with EOL &  
series devices acting in series

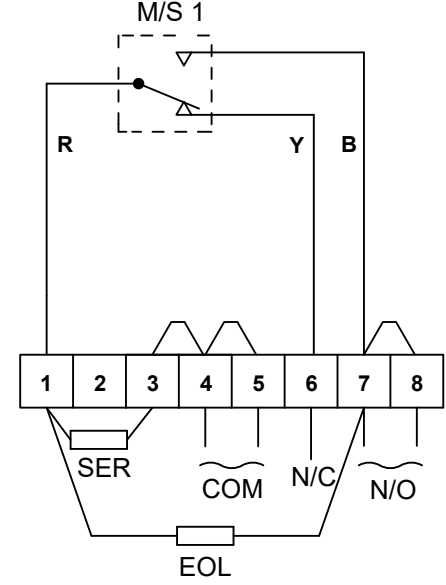


When fitting diodes or zener diodes, polarity  
across devices must be observed  
(Resistor polarity is unimportant)

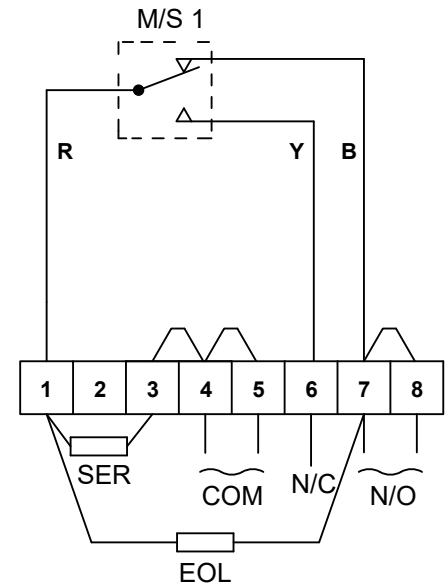


**KEY:**  
COM - Common  
N/C - Normally Closed  
(Contacts closed in unoperated state)  
N/O - Normally Open  
(Contacts open in unoperated state)

Standard Unit with suggested Series / EOL  
Devices - Alternative Configuration

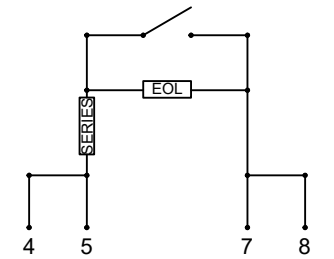


3A - Circuit as shown in Unoperated condition  
Terminals (4/5) & (7/8) open  
Terminals (4/5) & (6) closed

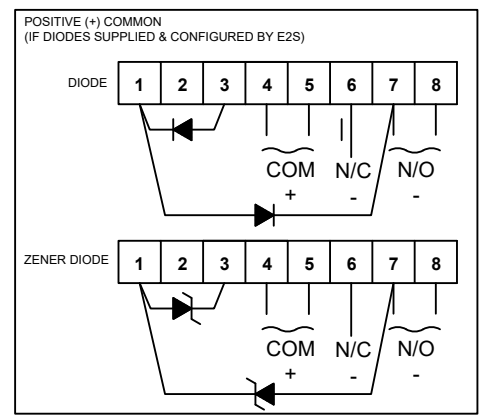


3B - Circuit as shown in Operated condition  
Terminals (4/5) & (7/8) closed  
Terminals (4/5) & (6) open

Wiring option shown with EOL &  
series devices acting in parallel



When fitting diodes or zener diodes, polarity  
across devices must be observed  
(Resistor polarity is unimportant)



DRAWING TO BS8888:2000  
GEOMETRIC TOLERANCES TO ISO1101:1983  
LINEAR DIMENSIONAL TOLS +/-0.35mm  
ANGULAR DIMENSIONAL TOLS +/-2 deg

DRAWN	DATE	SURFACE FINISH	WEIGHT (Kg)
J. SPILLER	11-02-2020		
CHECKED	DATE	MATERIAL	
R.N.POTTS	11-02-2020		
APPROVED	DATE	ALTERNATIVE MATERIAL	
R.N.POTTS	11-02-2020		

STANDARDS  
WP7

THIS DRAWING AND ANY INFORMATION OR DESCRIPTIVE  
MATTER THEREIN IS COMMUNICATED IN CONFIDENCE AND IS  
THE COPYRIGHT PROPERTY OF EUROPEAN SAFETY SYSTEMS  
LTD. NEITHER THE WHOLE OR ANY EXTRACT MAY BE  
DISCLOSED, LOANED, COPIED OR USED FOR MANUFACTURING  
OR TENDERING PURPOSES WITHOUT THEIR WRITTEN  
CONSENT.  
© EUROPEAN SAFETY SYSTEMS LTD.  
AS PER LATEST DATE OF ISSUE SHOWN ABOVE

**e2s**  
warning signals  
EUROPEAN SAFETY SYSTEMS LTD  
IMPRESS HOUSE  
MANSELL ROAD  
ACTON  
LONDON W3 7QH  
WWW.E2S.COM

ALL DIMENSIONS IN MM IF IN DOUBT, ASK - DO NOT SCALE				A3
TITLE WP7 CALL POINT WIRING / CIRCUIT OPERATION DIAGRAM		DRAWING NUMBER D234-06-201		
SCALE NTS	SHEET 1 OF 3			

8	9	10
ISSUE	MOD No.	INITIAL/DATE
1		Introduction JS 11-02-2020

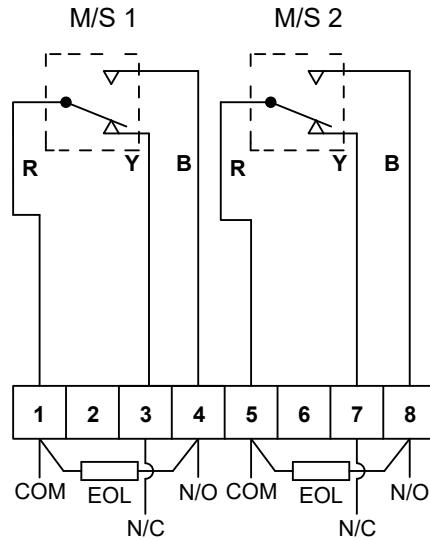
WP7 [ ] [D] [D] SWITCH TYPE: [D] - Double Microswitch TERMINAL TYPE [D] - DIN RAIL

WP7 [ ] [X] [D] SWITCH TYPE: [X] - SPECIAL ORDER TERMINAL TYPE [D] - DIN RAIL

Standard Unit showing positions of optional Series / EOL Devices

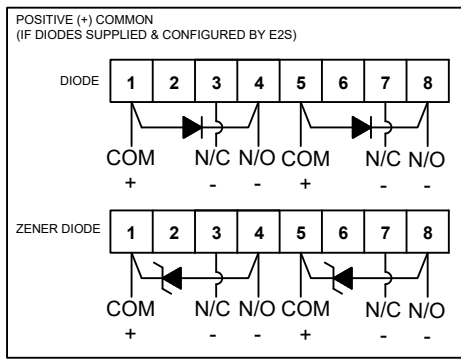
Other wiring configurations are available pre-configured (e.g. Dual switch configured with series and EOL devices)

Contact E2S sales for special wiring request

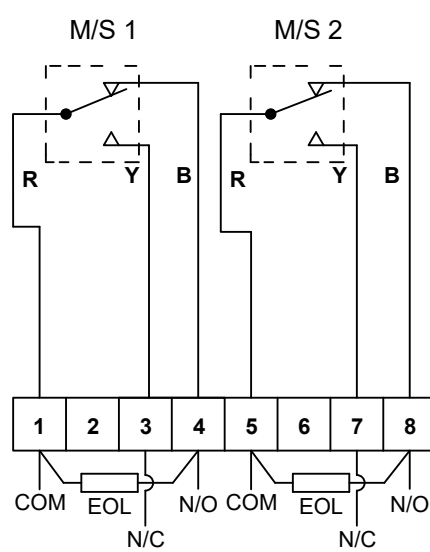


NOTE: These can be fitted either by customer or pre-installed by E2S at point of order.

When fitting diodes or zener diodes, polarity across devices must be observed (Resistor polarity is unimportant)



4A - Circuit as shown in Unoperated condition  
Terminals (1) & (4) M/S 1 and (5) & (8) M/S 2 open  
Terminals (1) & (3) M/S 1 and (5) & (7) M/S 2 closed



4B - Circuit as shown in Operated condition  
Terminals (1) & (4) M/S 1 and (5) & (8) M/S 2 closed  
Terminals (1) & (3) M/S 1 and (5) & (7) M/S 2 open

DRAWING TO BS8888:2000  
GEOMETRIC TOLERANCES TO ISO1101:1983  
LINEAR DIMENSIONAL TOLS +/-0.35mm  
ANGULAR DIMENSIONAL TOLS +/-2 deg

STANDARDS  
WP7

DRAWN	DATE
J. SPILLER	11-02-2020
CHECKED	DATE
R.N.POTTS	11-02-2020
APPROVED	DATE
R.N.POTTS	11-02-2020

SURFACE FINISH	WEIGHT (Kg)
MATERIAL	
ALTERNATIVE MATERIAL	

THIS DRAWING AND ANY INFORMATION OR DESCRIPTIVE MATTER THEREIN IS COMMUNICATED IN CONFIDENCE AND IS THE COPYRIGHT PROPERTY OF EUROPEAN SAFETY SYSTEMS LTD. NEITHER THE WHOLE OR ANY EXTRACT MAY BE DISCLOSED, LOANED, COPIED OR USED FOR MANUFACTURING OR TENDERING PURPOSES WITHOUT THEIR WRITTEN CONSENT.

© EUROPEAN SAFETY SYSTEMS LTD.  
AS PER LATEST DATE OF ISSUE SHOWN ABOVE

**e2s**  
warning signals

EUROPEAN SAFETY SYSTEMS LTD  
IMPRESS HOUSE  
MANSELL ROAD  
ACTON  
LONDON W3 7QH  
WWW.E2S.COM

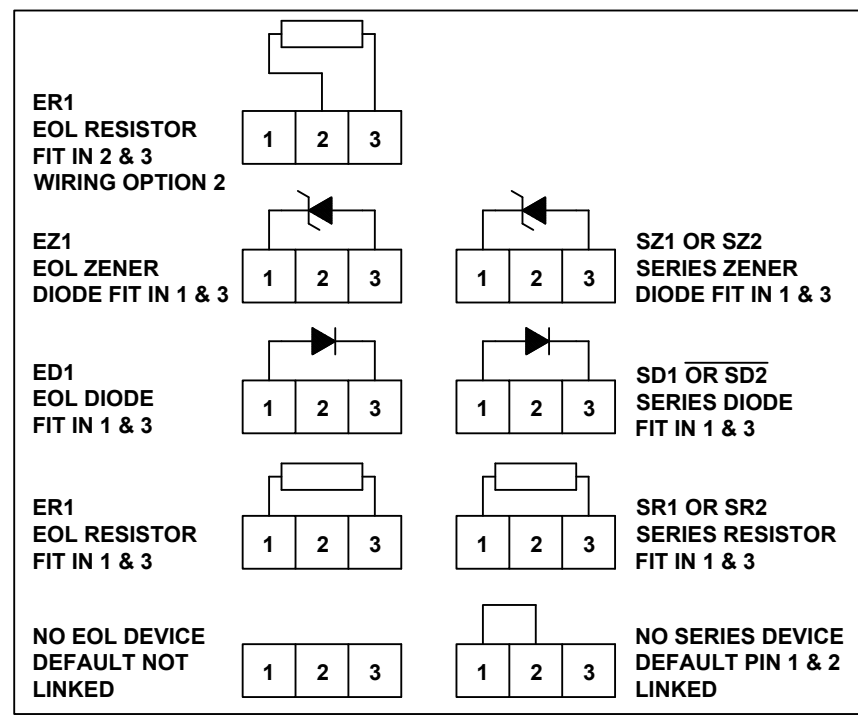
ALL DIMENSIONS IN MM IF IN DOUBT, ASK - DO NOT SCALE			A3
TITLE WP7 CALL POINT WIRING / CIRCUIT OPERATION DIAGRAM			
SCALE NTS	SHEET 2 OF 3	DRAWING NUMBER D234-06-201	

WP7 [ ] [S] [P]  
 WP7 [ ] [D] [P]

SWITCH TYPE: [S] - Single Microswitch  
 SWITCH TYPE: [D] - Double Microswitch

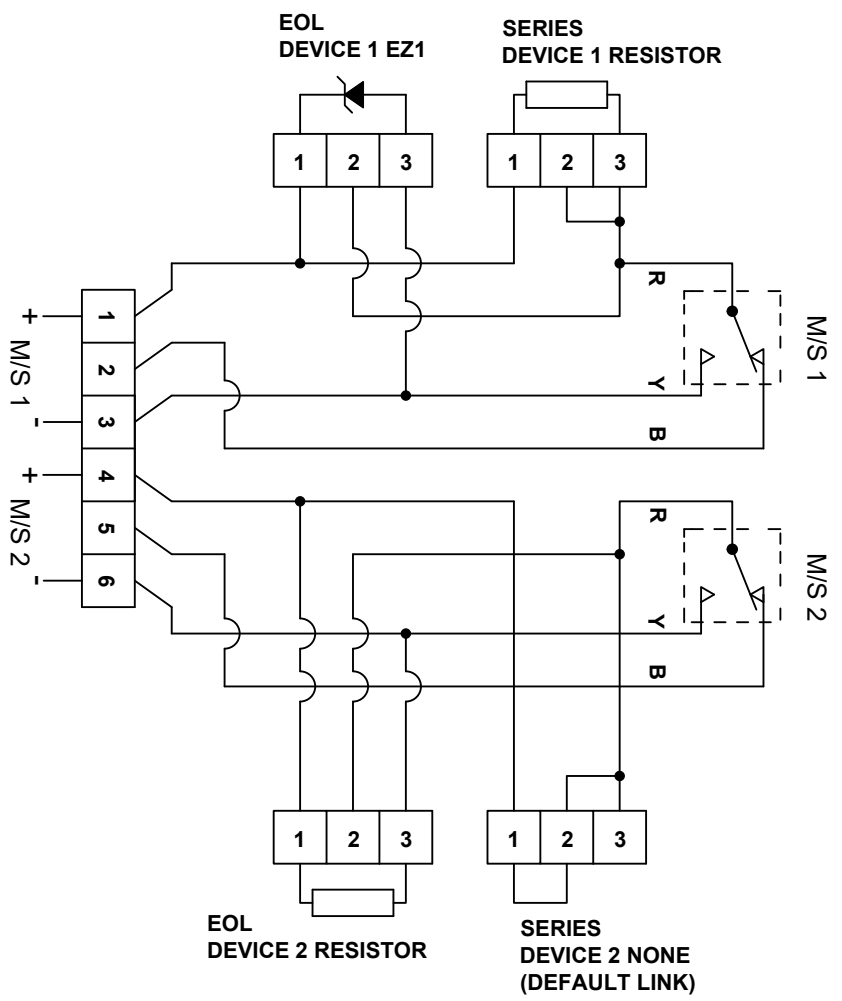
TERMINAL TYPE [P] - PCB  
 TERMINAL TYPE [P] - PCB

ISSUE	MOD No.	INITIAL/DATE
1		Introduction JS 11-02-2020

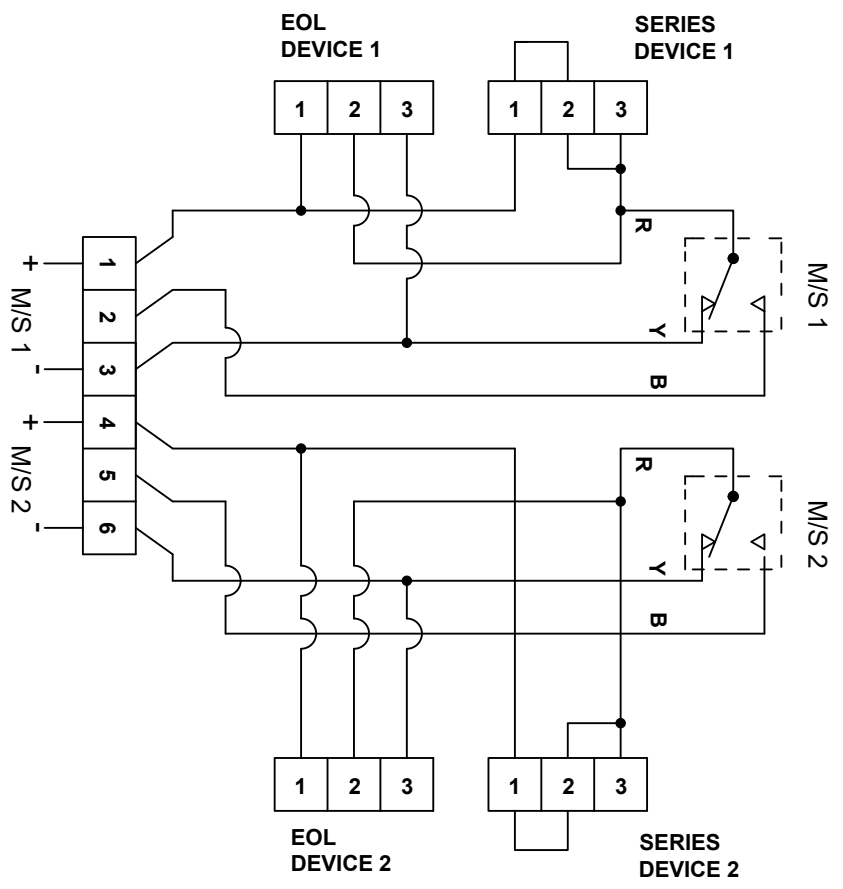


Optional Single or Double Microswitch

Circuit shown with Double Microswitch, Unit un-operated : WP7 PCB Version



5A - Circuit as shown in Unoperated condition  
 Terminals +(1) & -(3) M/S 1 and +(4) & -(6) M/S 2 open  
 Terminals +(1) & (2) M/S 1 and +(4) & (5) M/S 2 closed



5B - Circuit as shown in Operated condition  
 Terminals +(1) & (2) M/S 1 and +(4) & (5) M/S 2 open  
 Terminals +(1) & -(3) M/S 1 and +(4) & -(6) M/S 2 closed

DRAWING TO BS8888:2000  
 GEOMETRIC TOLERANCES TO ISO1101:1983  
 LINEAR DIMENSIONAL TOLS +/-0.35mm  
 ANGULAR DIMENSIONAL TOLS +/-2 deg

STANDARDS

WP7

DRAWN	DATE
J. SPILLER	11-02-2020
CHECKED	DATE
R.N.POTTS	11-02-2020
APPROVED	DATE
R.N.POTTS	11-02-2020

SURFACE FINISH	WEIGHT (Kg)
MATERIAL	
ALTERNATIVE MATERIAL	

THIS DRAWING AND ANY INFORMATION OR DESCRIPTIVE MATTER THEREIN IS COMMUNICATED IN CONFIDENCE AND IS THE COPYRIGHT PROPERTY OF EUROPEAN SAFETY SYSTEMS LTD. NEITHER THE WHOLE OR ANY EXTRACT MAY BE DISCLOSED, LOANED, COPIED OR USED FOR MANUFACTURING OR TENDERING PURPOSES WITHOUT THEIR WRITTEN CONSENT.

© EUROPEAN SAFETY SYSTEMS LTD.  
 AS PER LATEST DATE OF ISSUE SHOWN ABOVE

EUROPEAN SAFETY SYSTEMS LTD  
 IMPRESS HOUSE  
 MANSELL ROAD  
 ACTON  
 LONDON W3 7QH  
 WWW.E2S.COM

ALL DIMENSIONS IN MM		IF IN DOUBT, ASK - DO NOT SCALE	A3
TITLE			
WP7 CALL POINT		WIRING / CIRCUIT OPERATION DIAGRAM	
SCALE	SHEET	DRAWING NUMBER	
NTS	3 OF 3	D234-06-201	