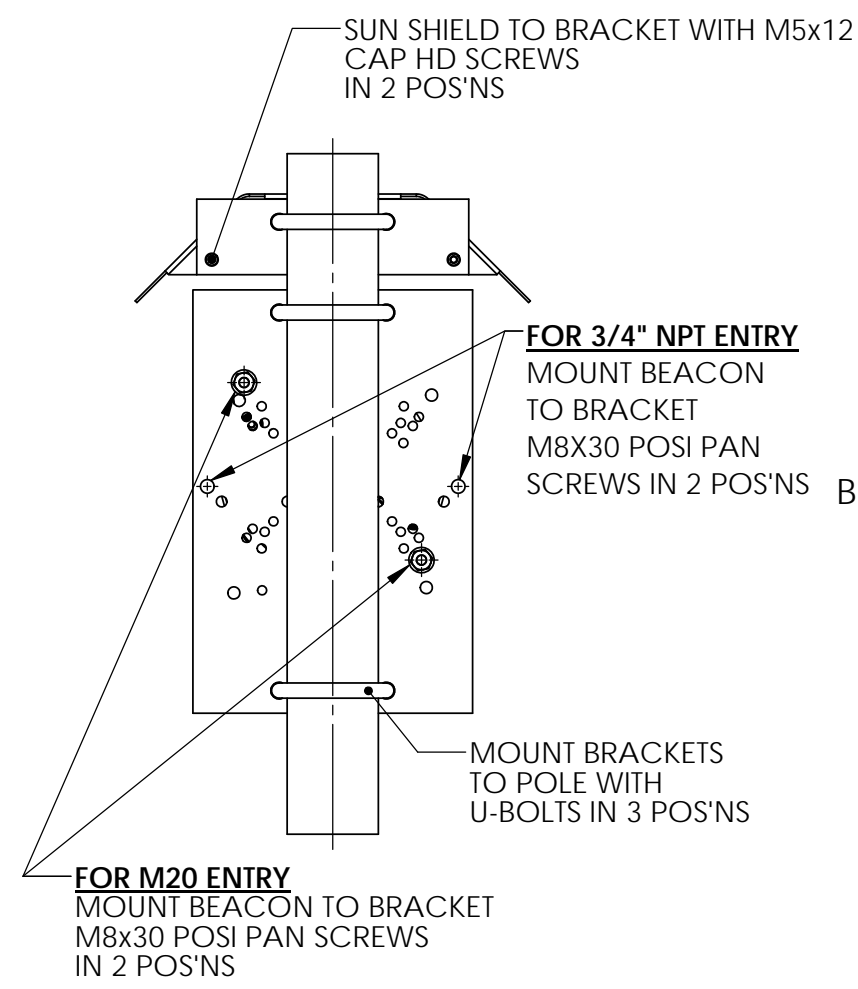
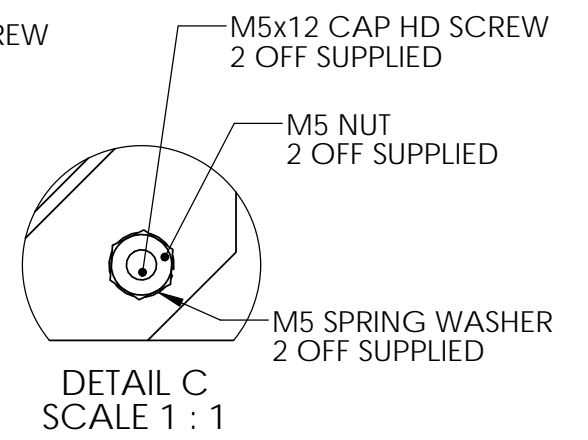
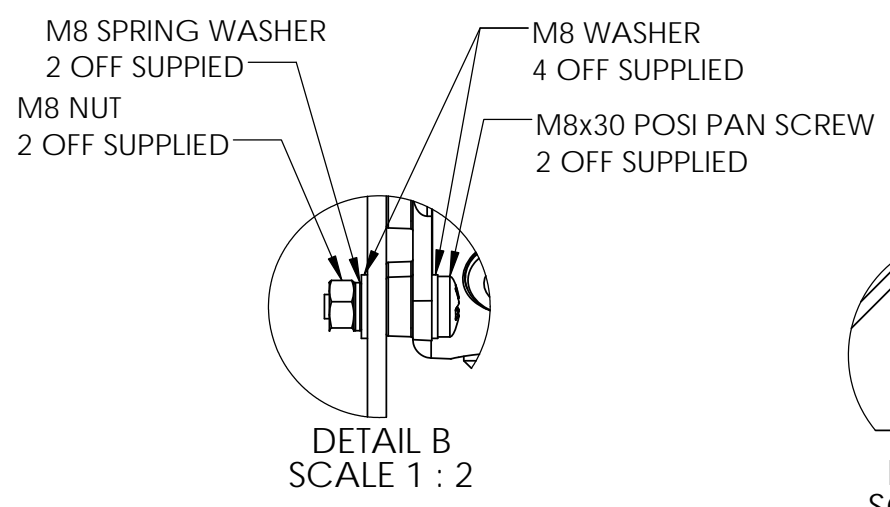
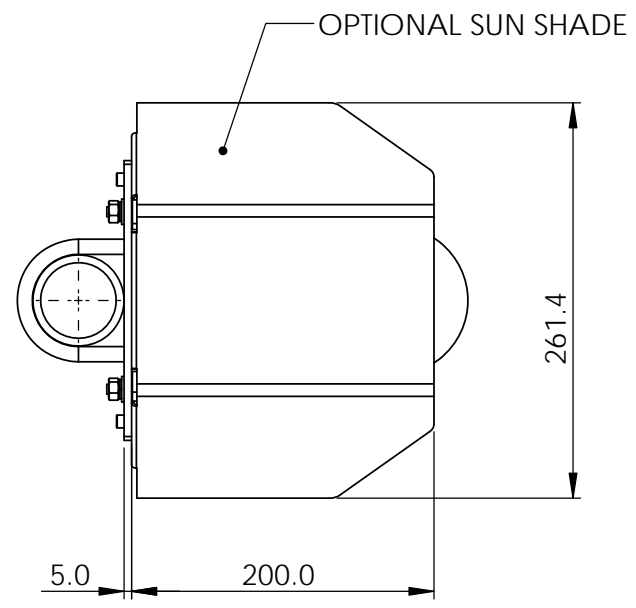
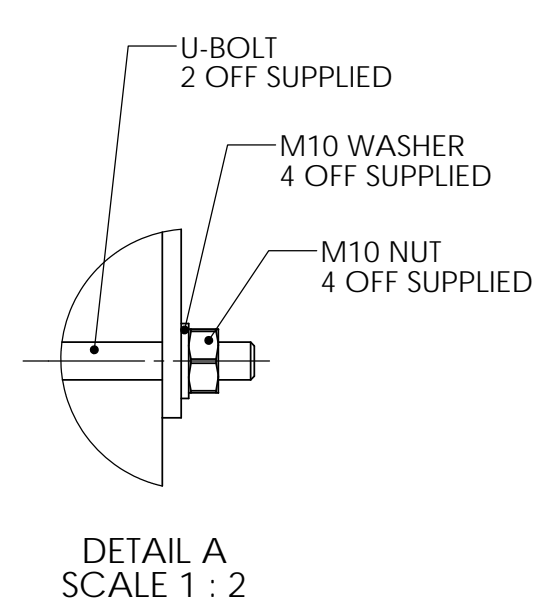
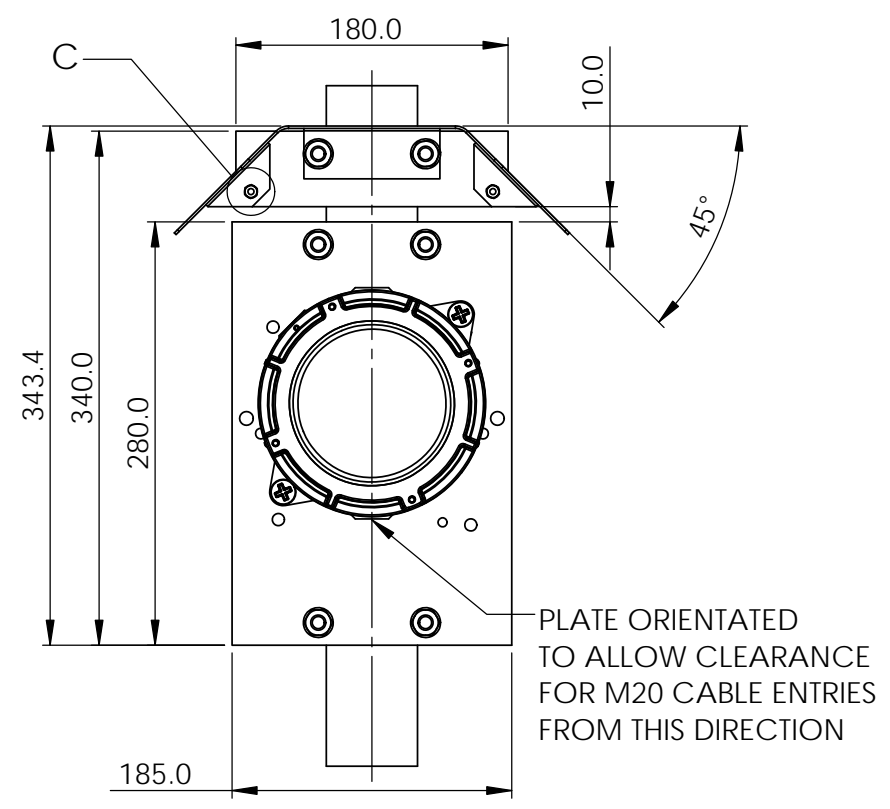


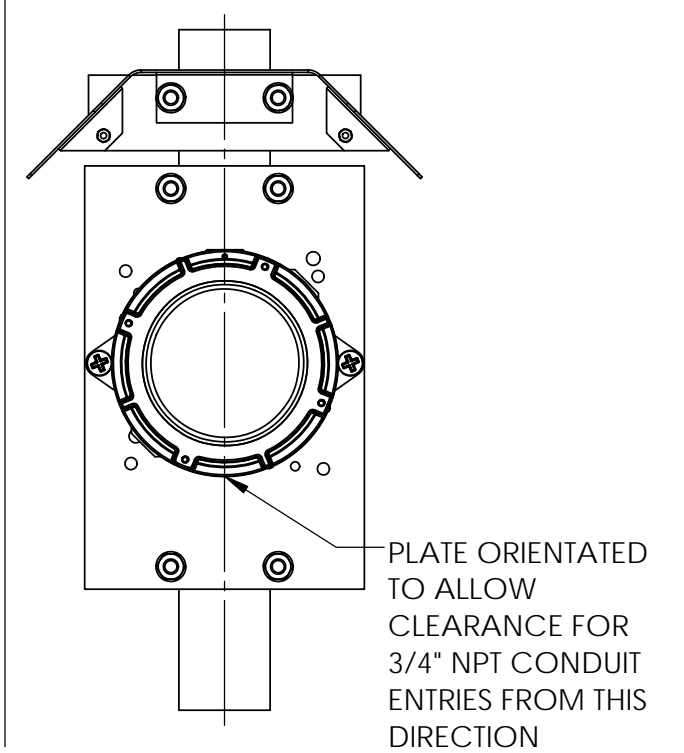
8	9	10
ISSUE	MOD No.	REASON - INITIAL - DATE
A		Introduction D.HOWGILL - 01/04/2019



**M20 ENTRY
MOUNTING POSITION**



**3/4" NPT ENTRY
MOUNTING POSITION**



INSTALLATION OF DN 50mm (NPS 2") POLE MOUNTING BRACKET
AND SUN SCREEN FOR THE FOLLOWING EQUIPMENT:-
D1xB2XH1 / D1xB2XH2 / D1xB2X05 / D1xB2X10 / D1xB2LD2 BEACON UNITS

DRAWING TO BS8888:2000 GEOMETRIC TOLERANCES TO ISO1101:1983 LINEAR DIMENSIONAL TOLS ANGULAR DIMENSIONAL TOLS	DRAWN	DATE	SURFACE FINISH	WEIGHT (Kg)
	D.HOWGILL	01/04/19		
	CHECKED	DATE		
STANDARDS PRODUCT REF	R.N.POTTS	01/04/19	MATERIAL	
	APPROVED	DATE	ALTERNATIVE MATERIAL	
R.N.POTTS	01/04/19			

THIS DRAWING AND ANY INFORMATION OR DESCRIPTIVE
MATTER THEREIN IS COMMUNICATED IN CONFIDENCE AND
IS THE COPYRIGHT PROPERTY OF EUROPEAN SAFETY
SYSTEMS LTD. NEITHER THE WHOLE OR ANY EXTRACT MAY
BE DISCLOSED, LOANED, COPIED OR USED FOR
MANUFACTURING OR TENDERING PURPOSES WITHOUT THEIR
WRITTEN CONSENT.

EUROPEAN SAFETY SYSTEMS LTD.
AS PER LATEST DATE OF ISSUE SHOWN ABOVE

EUROPEAN SAFETY SYSTEMS LTD
IMPRESS HOUSE
MANSELL ROAD
ACTON
LONDON W3 7QH
WWW.E2S.COM

ALL DIMENSIONS IN MM IF IN DOUBT, ASK - DO NOT SCALE				A3
TITLE DN 50mm (NPS 2") POLE & SUN SCREEN D1xB2 BEACONS				
SCALE	SHEET	DRAWING NUMBER		
1 : 5	1 OF 1	D217-05-261		