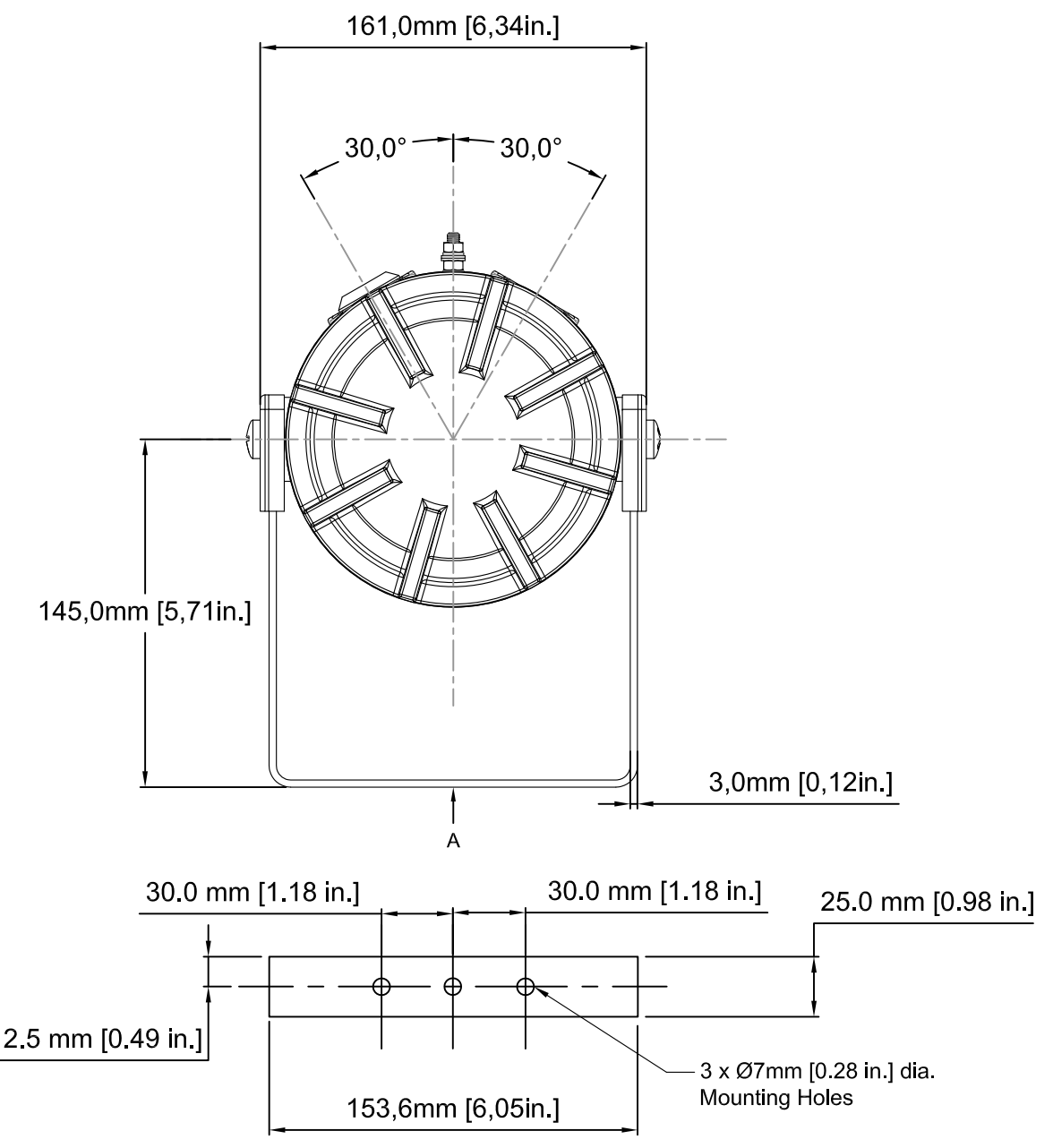
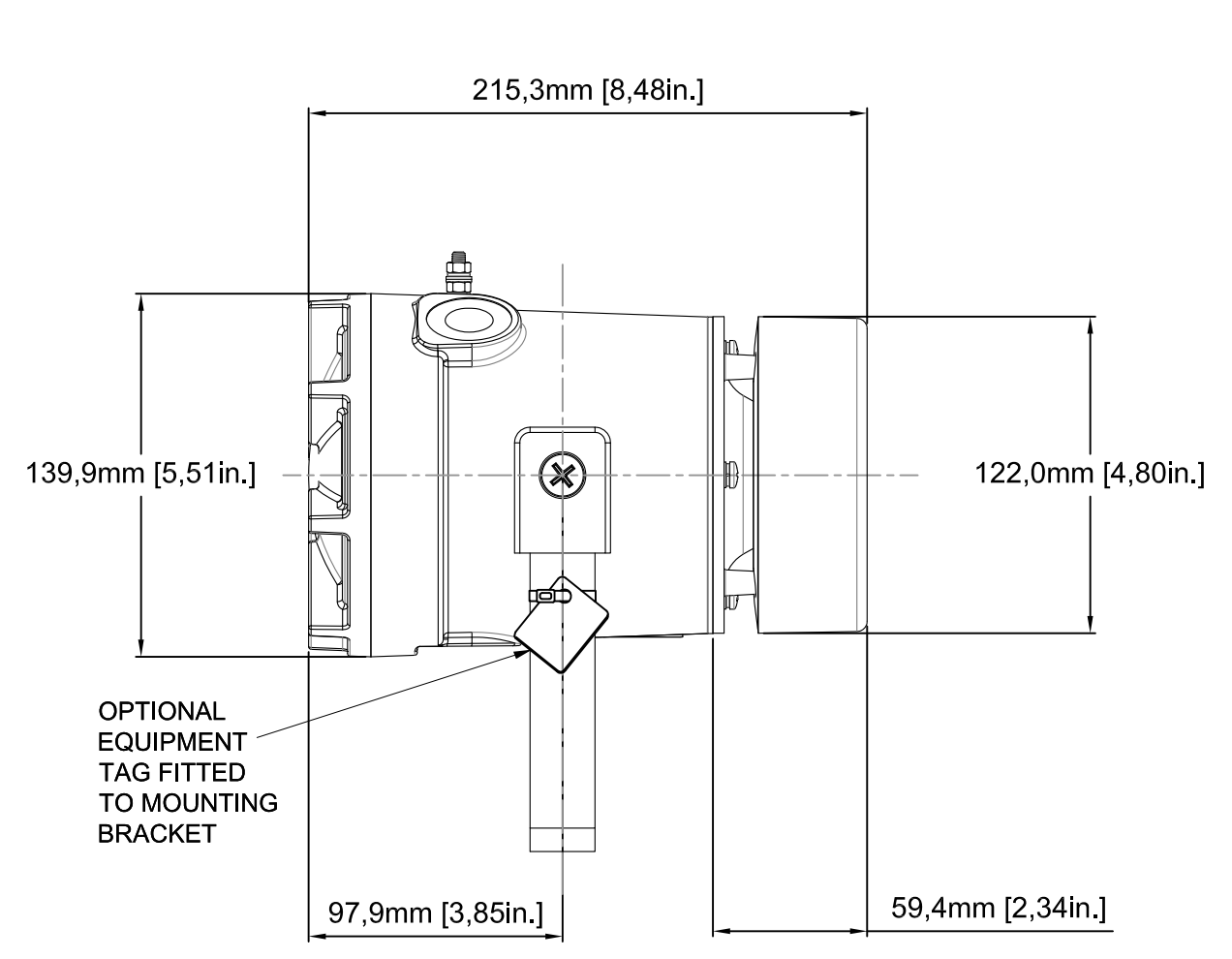


ISSUE	MOD No.	INITIAL/DATE
A		TAKEN FROM SK0364. OPTIONAL EQUIPMENT TAG SHOWN. RSR 22-04-2020



E2S PART NO.	DESCRIPTION	DATA REFERENCE
D1xS1R..	D1xS1 RADIAL ALARM SOUNDER (Ex d)	1.22.145

DRAWING TO BS8888:2000 GEOMETRIC TOLERANCES TO ISO1101:1983 LINEAR DIMENSIONAL TOLS ANGULAR DIMENSIONAL TOLS	DRAWN R. S. RAIT	DATE 22-04-2020	SURFACE FINISH	WEIGHT (Kg)	THIS DRAWING AND ANY INFORMATION OR DESCRIPTIVE MATTER THEREIN IS COMMUNICATED IN CONFIDENCE AND IS THE COPYRIGHT PROPERTY OF EUROPEAN SAFETY SYSTEMS LTD. NEITHER THE WHOLE OR ANY EXTRACT MAY BE DISCLOSED, LOANED, COPIED OR USED FOR MANUFACTURING OR TENDERING PURPOSES WITHOUT THEIR WRITTEN CONSENT.	 EUROPEAN SAFETY SYSTEMS LTD IMPRESS HOUSE MANSELL ROAD ACTON LONDON W3 7QH WWW.E2S.COM	ALL DIMENSIONS IN MM IF IN DOUBT, ASK - DO NOT SCALE		
	CHECKED B. ISARD	DATE 22-04-2020							
	STANDARDS D1x	APPROVED R. N. POTTS	DATE 22-04-2020	ALTERNATIVE MATERIAL					