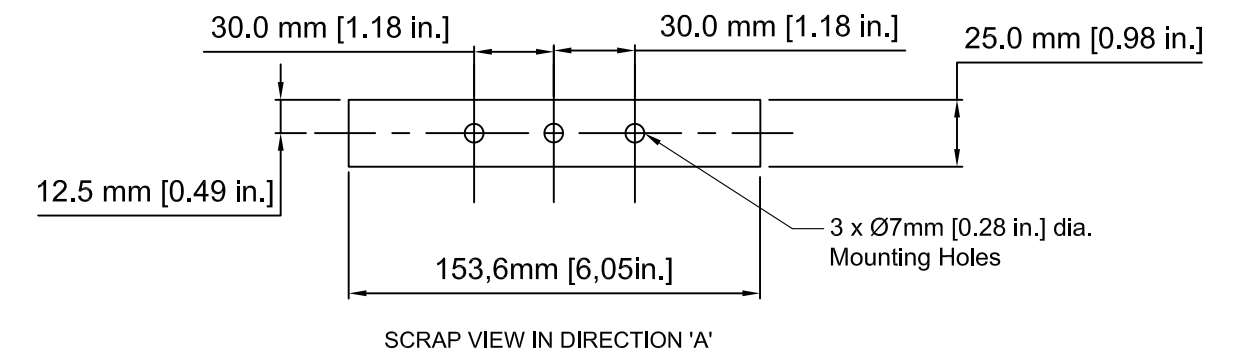
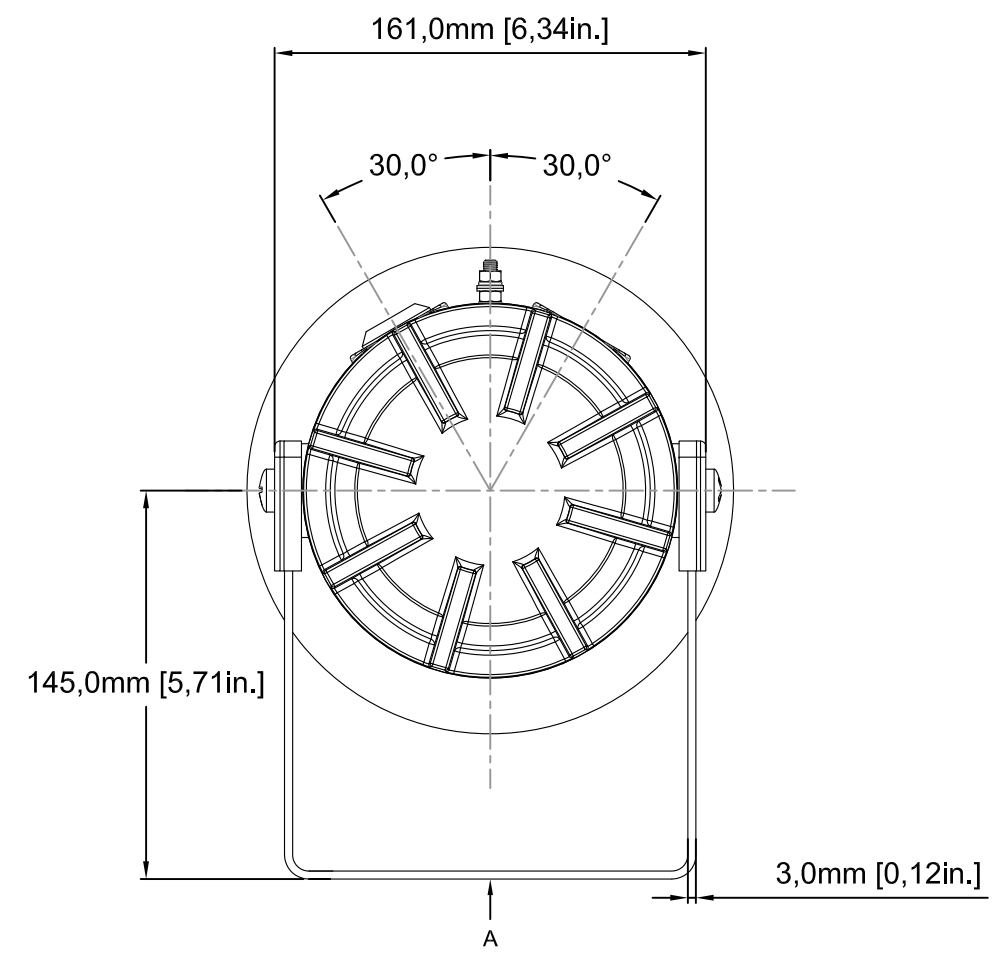
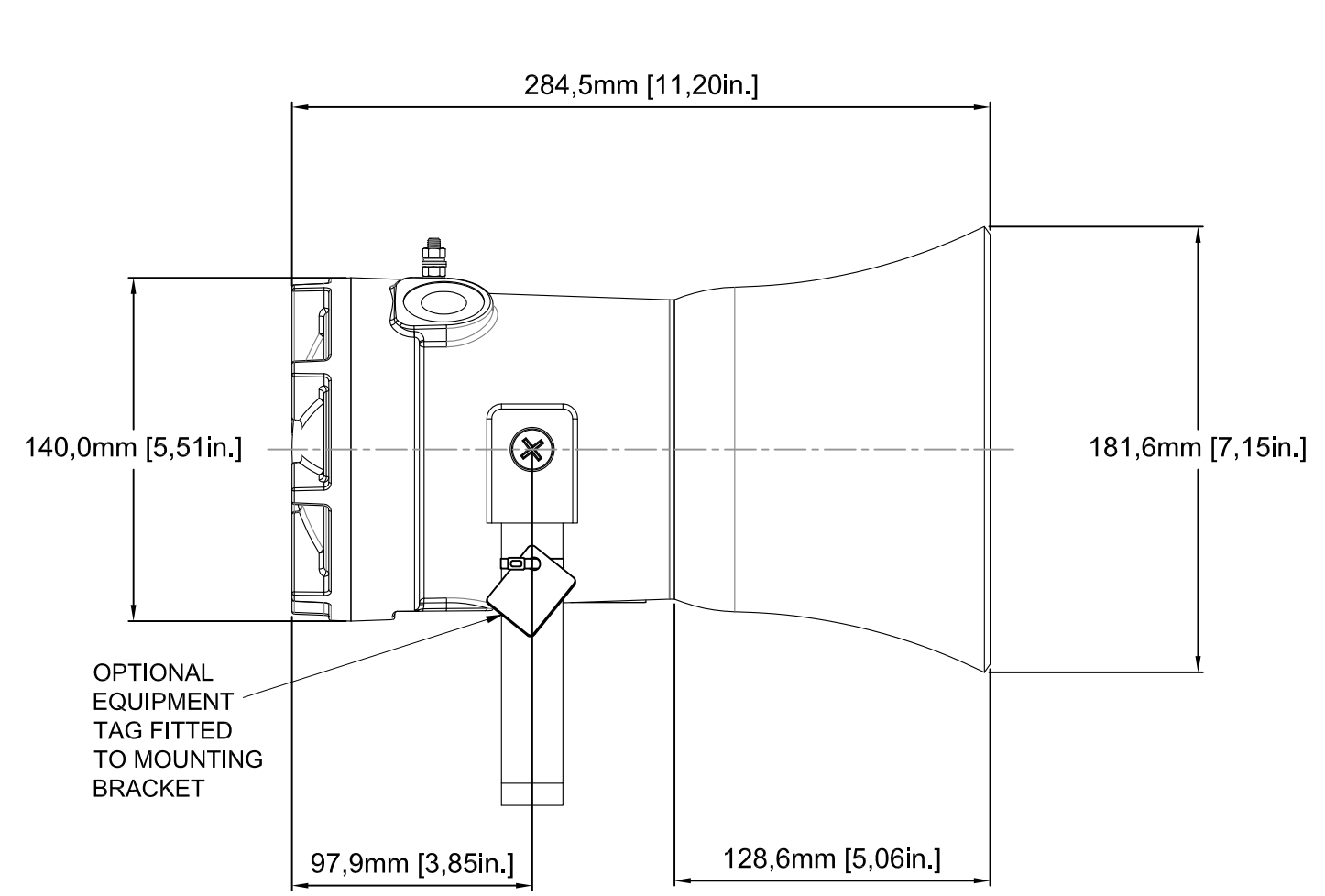


ISSUE	MOD No.	INITIAL/DATE
A		TAKEN FROM SK0359 - OPTIONAL EQUIPMENT TAG SHOWN RSR 21-04-2020



E2S PART NO.	DESCRIPTION	DATA REFERENCE
D1xL1F..	D1xL1 15W PA LOUDSPEAKER (Ex d VERSION)	1.22.160
D1xS1F...	D1xS1 ALARM SOUNDERS (Ex d VERSION)	1.22.140

DRAWING TO BS8888:2000 GEOMETRIC TOLERANCES TO ISO1101:1983 LINEAR DIMENSIONAL TOLS ANGULAR DIMENSIONAL TOLS	DRAWN R. S. RAIT	DATE 21-04-2020	SURFACE FINISH	WEIGHT (Kg)	THIS DRAWING AND ANY INFORMATION OR DESCRIPTIVE MATTER THEREIN IS COMMUNICATED IN CONFIDENCE AND IS THE COPYRIGHT PROPERTY OF EUROPEAN SAFETY SYSTEMS LTD. NEITHER THE WHOLE OR ANY EXTRACT MAY BE DISCLOSED, LOANED, COPIED OR USED FOR MANUFACTURING OR TENDERING PURPOSES WITHOUT THEIR WRITTEN CONSENT.	 EUROPEAN SAFETY SYSTEMS LTD IMPRESS HOUSE MANSELL ROAD ACTON LONDON W3 7QH WWW.E2S.COM	ALL DIMENSIONS IN MM IF IN DOUBT, ASK - DO NOT SCALE	 A2
	CHECKED B. ISARD	DATE 21-04-2020	MATERIAL	ALTERNATIVE MATERIAL			TITLE D1x S1/L1 Ex d RANGE - SOUNDER OUTLINE	
STANDARDS D1x	APPROVED R. N. POTTS	DATE 21-04-2020			EUROPEAN SAFETY SYSTEMS LTD. AS PER LATEST DATE OF ISSUE SHOWN ABOVE	SCALE 1:2	SHEET 1 OF 1	DRAWING NUMBER D190-05-101