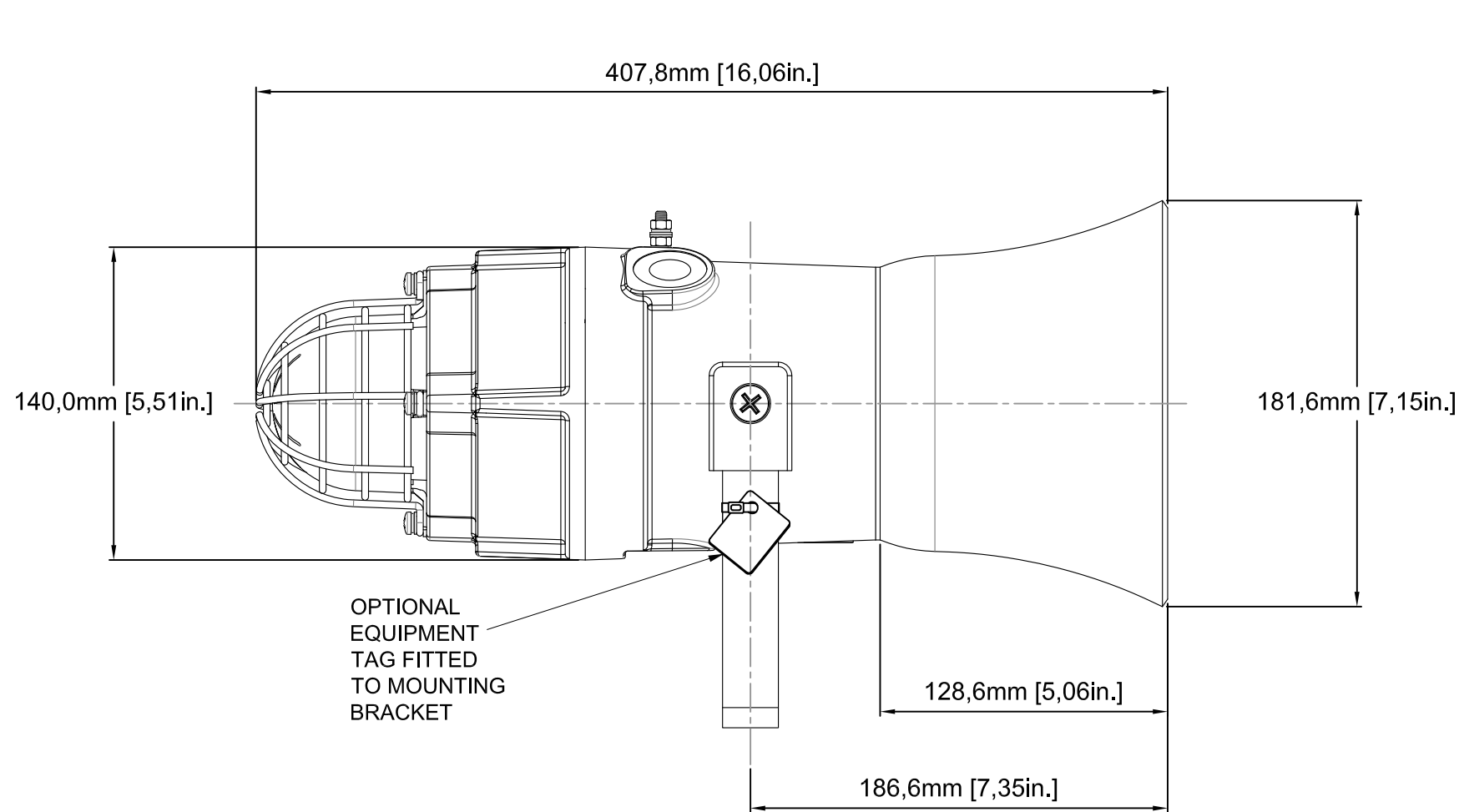
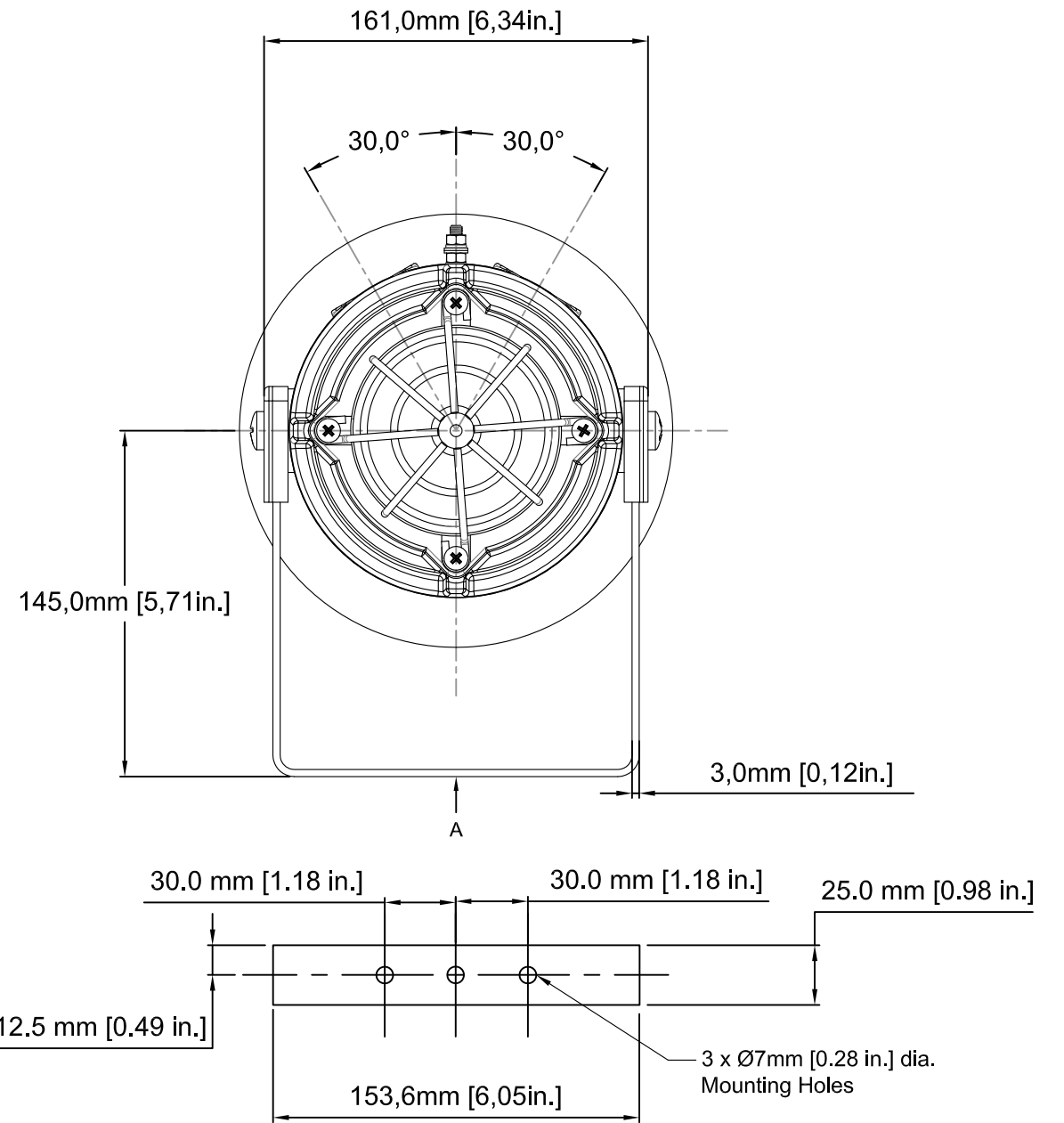


| | | |
|-------|---------|---|
| ISSUE | MOD No. | INITIAL/DATE |
| A | | TAKEN FROM SK0361. OPTIONAL EQUIPMENT TAG SHOWN. RSR 22-04-2020 |



OPTIONAL EQUIPMENT TAG FITTED TO MOUNTING BRACKET



SCRAP VIEW IN DIRECTION 'A'

| E2S PART NO. | DESCRIPTION | DATA REFERENCE |
|--------------|---|----------------|
| D1xC1X05F | D1xC1X05F COMBINED 5J BEACON AND S1 SOUNDER (Ex d VERSION) | 1.23.050 |
| D1xC1X10F | D1xC1X10F COMBINED 10J BEACON AND S1 SOUNDER (Ex d VERSION) | 1.23.060 |

| | |
|---|-----|
| DRAWING TO BS8888:2000 GEOMETRIC TOLERANCES TO ISO1101:1983 LINEAR DIMENSIONAL TOLS ANGULAR DIMENSIONAL TOLS | |
| STANDARDS | D1x |

| | | | |
|----------|-------------|------|------------|
| DRAWN | R. S. RAIT | DATE | 22-04-2020 |
| CHECKED | B. ISARD | DATE | 22-04-2020 |
| APPROVED | R. N. POTTS | DATE | 22-04-2020 |

| | |
|----------------------|-------------|
| SURFACE FINISH | WEIGHT (Kg) |
| MATERIAL | |
| ALTERNATIVE MATERIAL | |

THIS DRAWING AND ANY INFORMATION OR DESCRIPTIVE MATTER THEREIN IS COMMUNICATED IN CONFIDENCE AND IS THE COPYRIGHT PROPERTY OF EUROPEAN SAFETY SYSTEMS LTD. NEITHER THE WHOLE OR ANY EXTRACT MAY BE DISCLOSED, LOANED, COPIED OR USED FOR MANUFACTURING OR TENDERING PURPOSES WITHOUT THEIR WRITTEN CONSENT.

© EUROPEAN SAFETY SYSTEMS LTD. AS PER LATEST DATE OF ISSUE SHOWN ABOVE

EUROPEAN SAFETY SYSTEMS LTD
IMPRESS HOUSE
MANSELL ROAD
ACTON
LONDON W3 7QH
WWW.E2S.COM

| | | | | |
|--|--------|----------------|--|----|
| ALL DIMENSIONS IN MM IF IN DOUBT, ASK - DO NOT SCALE | | | | A2 |
| TITLE D1xC1 Ex d RANGE - SOUNDER OUTLINE | | | | |
| SCALE | SHEET | DRAWING NUMBER | | |
| 1:2 | 1 OF 1 | D190-05-301 | | |