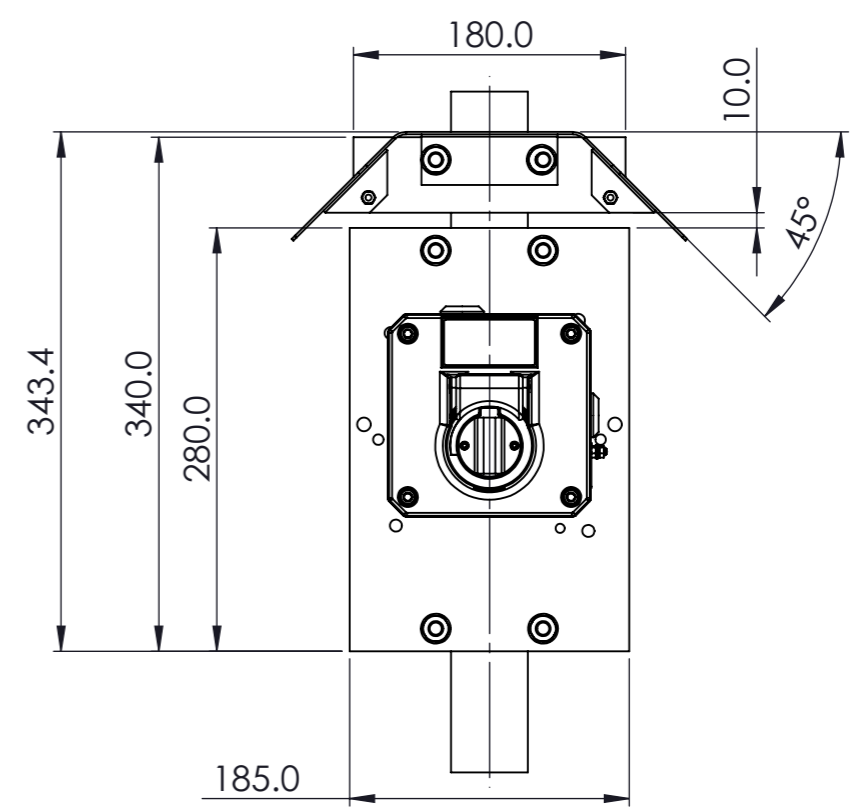
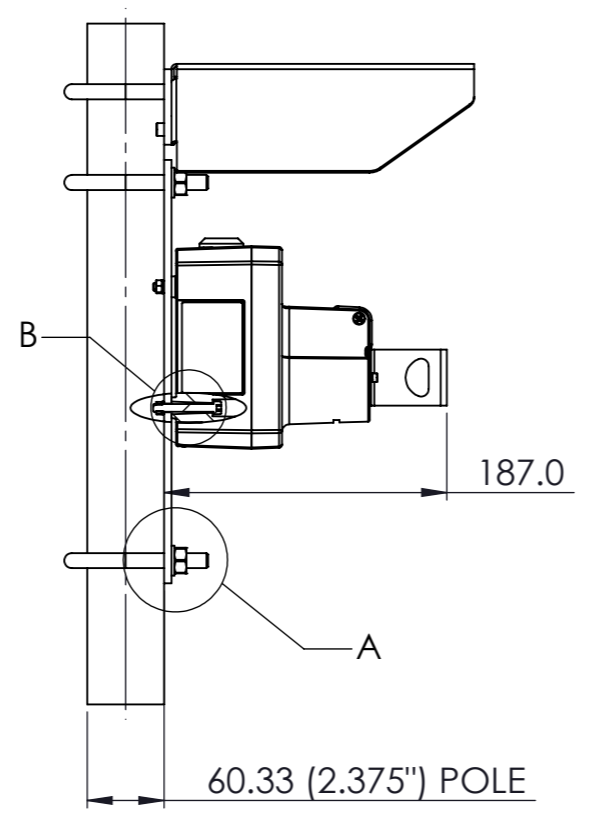
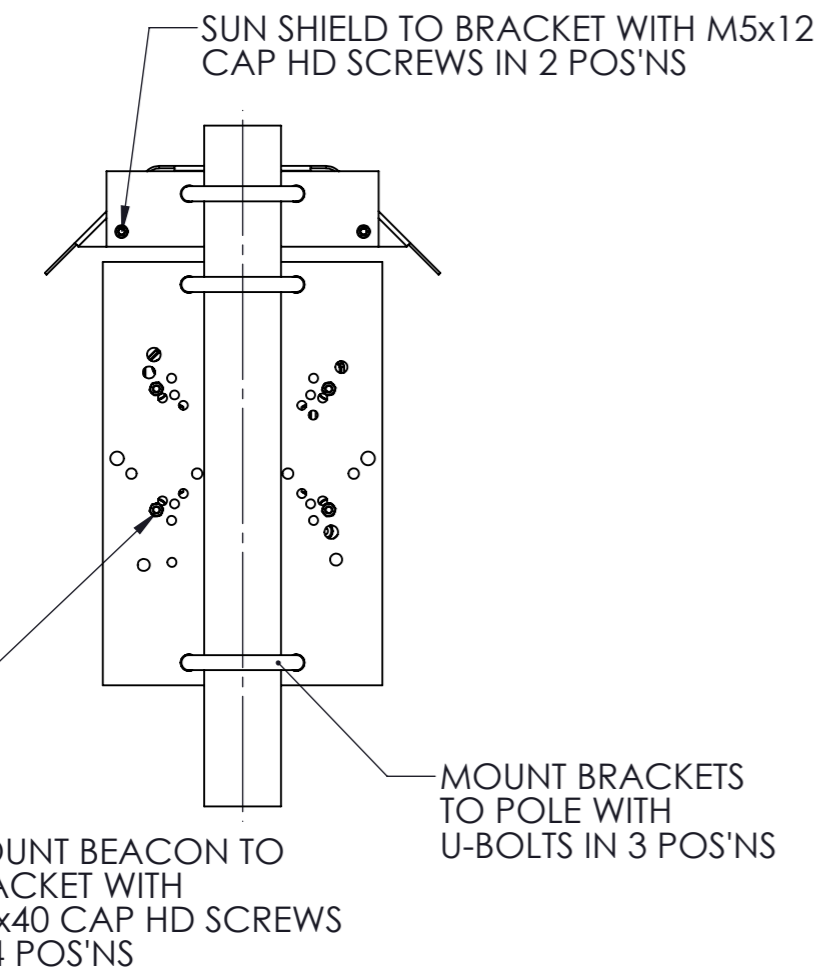
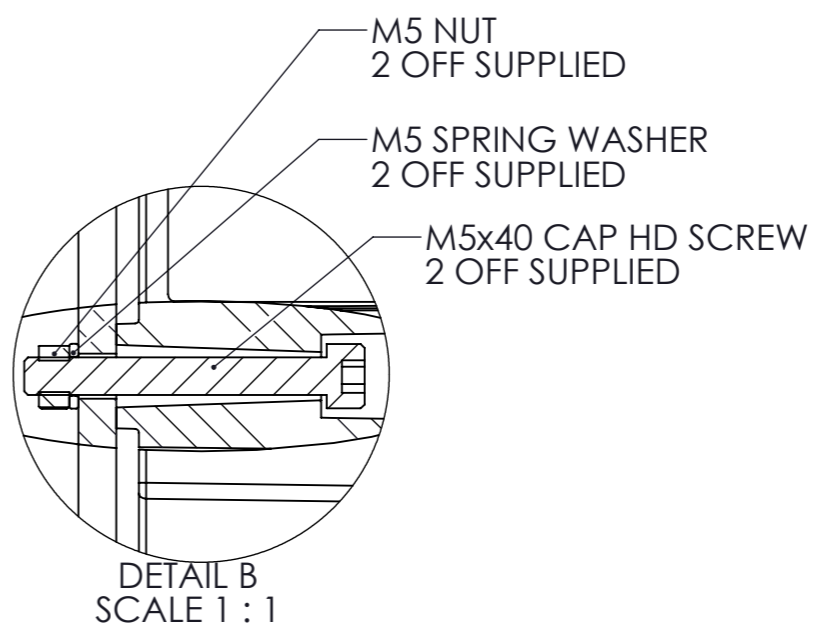
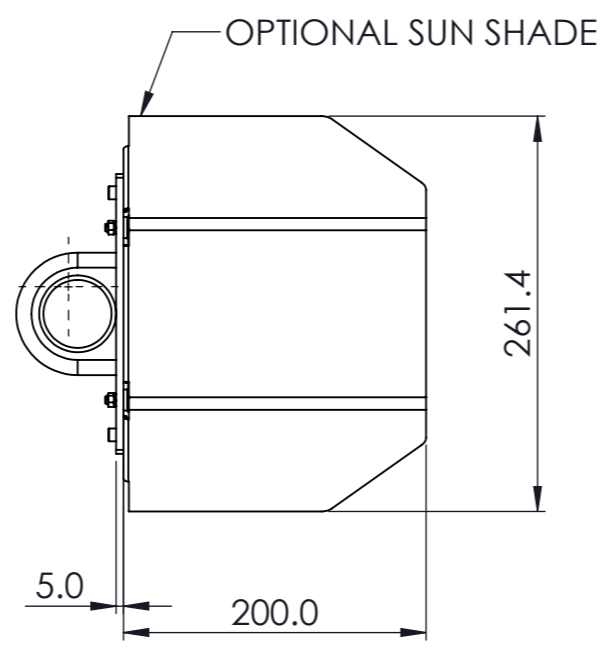
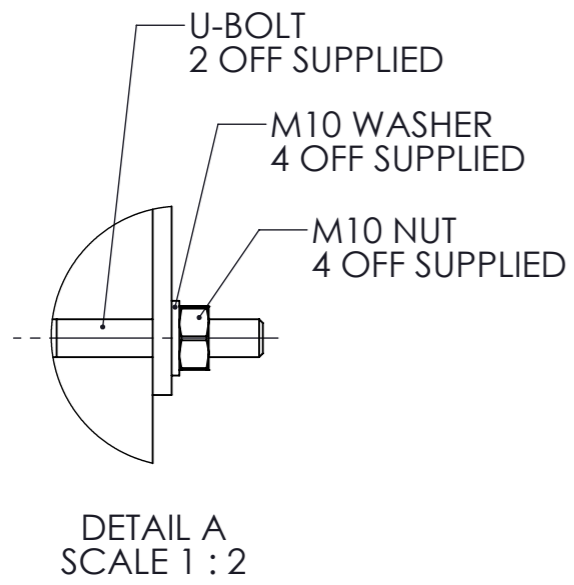


ISSUE	MOD No.	REASON - INITIAL - DATE
A		Introduction J.SPILLER - 10/08/20



INSTALLATION OF DN 50mm (NPS 2") POLE MOUNTING BRACKET AND SUN SCREEN FOR THE FOLLOWING EQUIPMENT:-
GNExCP7-PT CALL POINT UNIT

DRAWING TO BS8888:2000 GEOMETRIC TOLERANCES TO ISO1101:1983 LINEAR DIMENSIONAL TOLS ANGULAR DIMENSIONAL TOLS	DRAWN	DATE	SURFACE FINISH	WEIGHT (Kg)
	J.SPILLER	10/08/20		
	CHECKED	DATE		
STANDARDS PRODUCT REF	R.N.POTTS	10/08/20	MATERIAL	ALTERNATIVE MATERIAL
	APPROVED	DATE		
R.N.POTTS	10/08/20			

THIS DRAWING AND ANY INFORMATION OR DESCRIPTIVE MATTER THEREIN IS COMMUNICATED IN CONFIDENCE AND IS THE COPYRIGHT PROPERTY OF EUROPEAN SAFETY SYSTEMS LTD. NEITHER THE WHOLE OR ANY EXTRACT MAY BE DISCLOSED, LOANED, COPIED OR USED FOR MANUFACTURING OR TENDERING PURPOSES WITHOUT THEIR WRITTEN CONSENT.
EUROPEAN SAFETY SYSTEMS LTD. AS PER LATEST DATE OF ISSUE SHOWN ABOVE

@2S
warning signals

EUROPEAN SAFETY SYSTEMS LTD
IMPRESS HOUSE
MANSELL ROAD
ACTON
LONDON W3 7QH
WWW.E2S.COM

ALL DIMENSIONS IN MM IF IN DOUBT, ASK - DO NOT SCALE			A3
TITLE 50mm (2") POLE & SUN SCREEN GNExCP7 CALL POINT UNIT			
SCALE 1 : 5	SHEET 1 OF 1	DRAWING NUMBER D217-05-341	