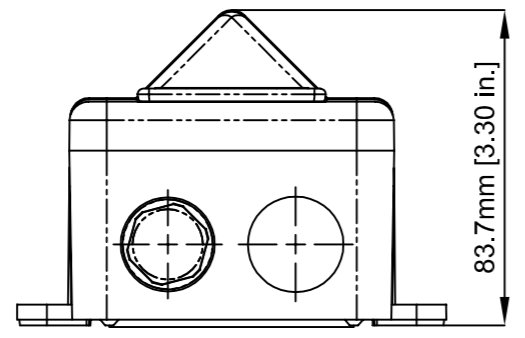
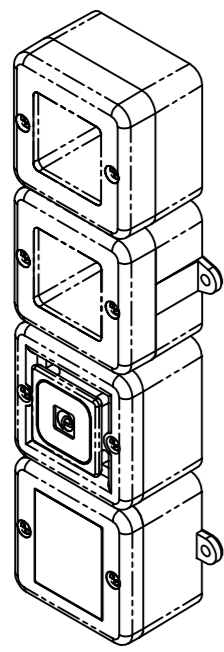
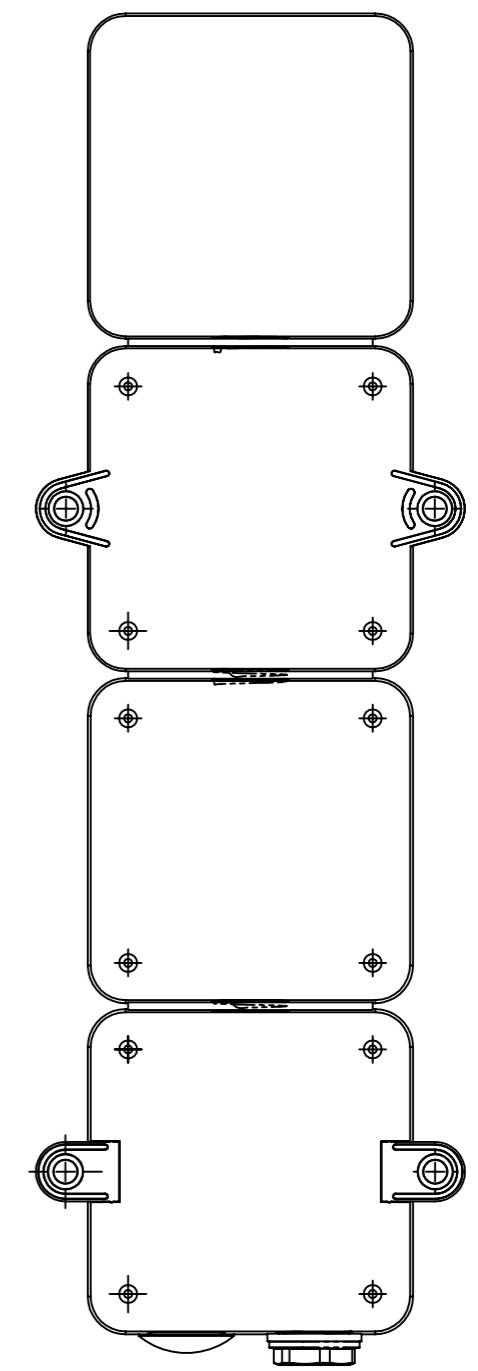
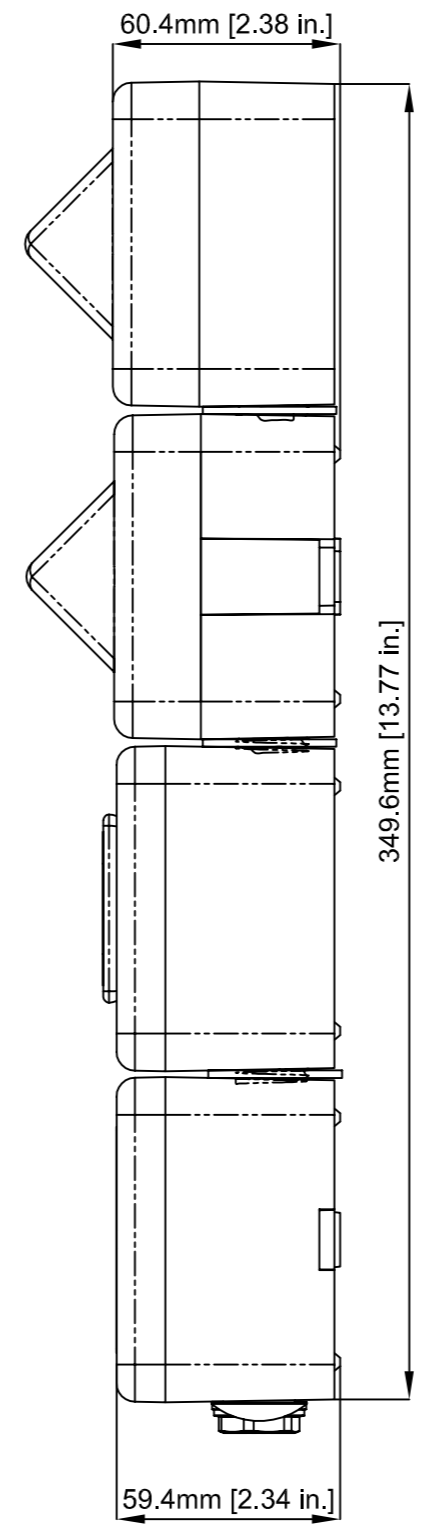
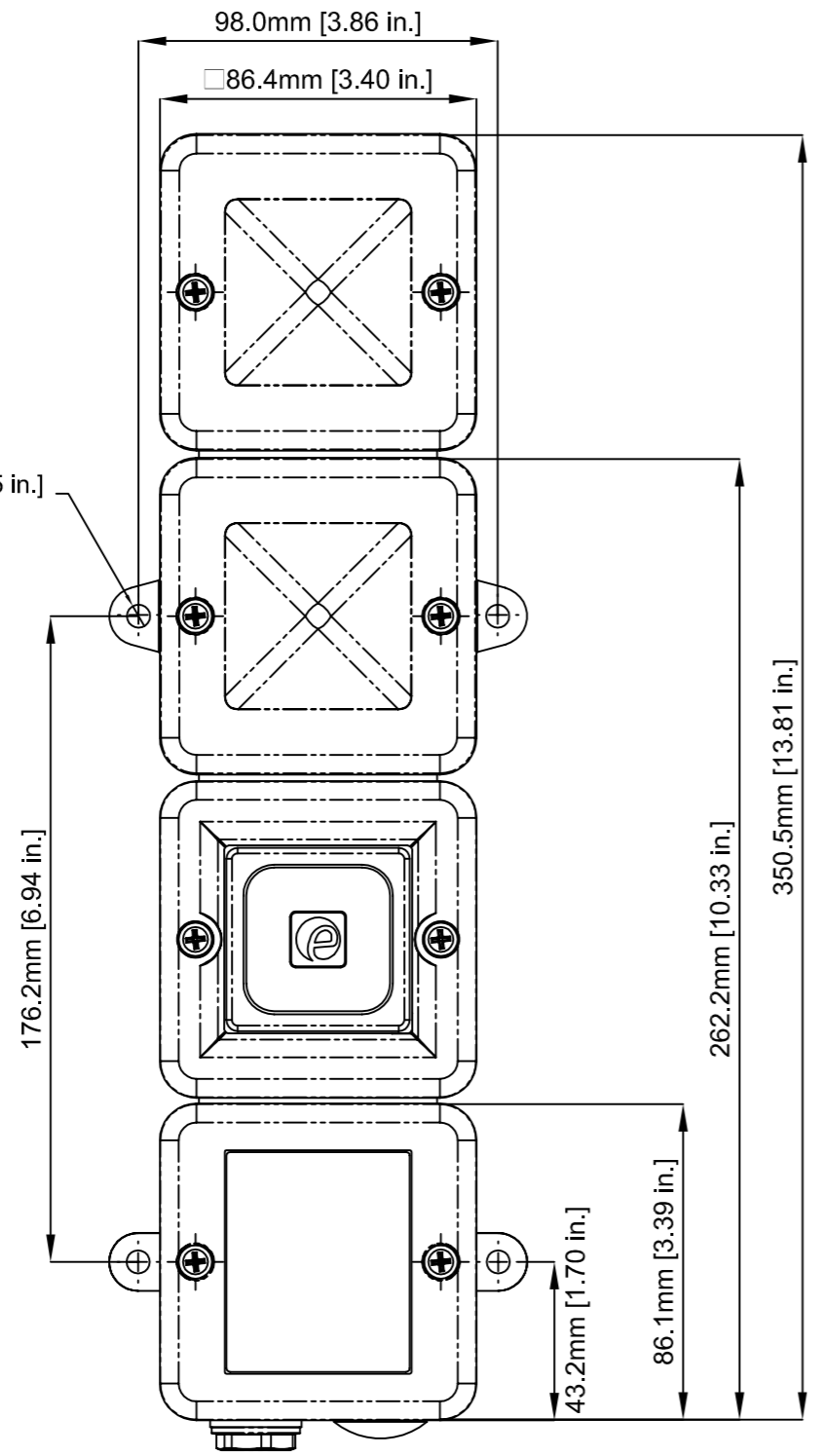


ISSUE	MOD No.	REASON - INITIAL - DATE
A		UPDATED TO DUAL DIMS. RSR 02-07-13
B		UPDATED TO DUAL DIMS. RSR 02-07-13



E2S PART NO.	DESCRIPTION	DATA REFERENCE
L101STA2...	STA & ST-L101 STACK UNIT	2.31.010

WHERE APPLICABLE '-UL' VERSIONS ARE COVERED BY THIS OUTLINE DRAWING.

SCALE 1:2

DRAWING TO BS8888:2000 GEOMETRIC TOLERANCES TO ISO1101:1983 LINEAR DIMENSIONAL TOLS ANGULAR DIMENSIONAL TOLS	DRAWN	DATE	SURFACE FINISH	WEIGHT (Kg)	THIS DRAWING AND ANY INFORMATION OR DESCRIPTIVE MATTER THEREIN IS COMMUNICATED IN CONFIDENCE AND IS THE COPYRIGHT PROPERTY OF EUROPEAN SAFETY SYSTEMS LTD. NEITHER THE WHOLE OR ANY EXTRACT MAY BE DISCLOSED, LOANED, COPIED OR USED FOR MANUFACTURING OR TENDERING PURPOSES WITHOUT THEIR WRITTEN CONSENT.	 EUROPEAN SAFETY SYSTEMS LTD BIRPRESS HOUSE MANSELL ROAD ACTON LONDON W3 7QH WWW.E2S.COM	ALL DIMENSIONS IN MM IF IN DOUBT, ASK - DO NOT SCALE.	 A1				
	CHECKED	DATE							MATERIAL			
STANDARDS	APPROVED	DATE	ALTERNATIVE MATERIAL	EUROPEAN SAFETY SYSTEMS LTD. AS PER LATEST DATE OF ISSUE SHOWN ABOVE					TITLE STA2 SOUNDER AND 2 WAY BEACON STACK GA	SCALE 1:1	SHEET 1 OF 1	DRAWING NUMBER SK0211
STA	R.N.POTTS	19:03:12										
	R.N.POTTS	19:03:12										