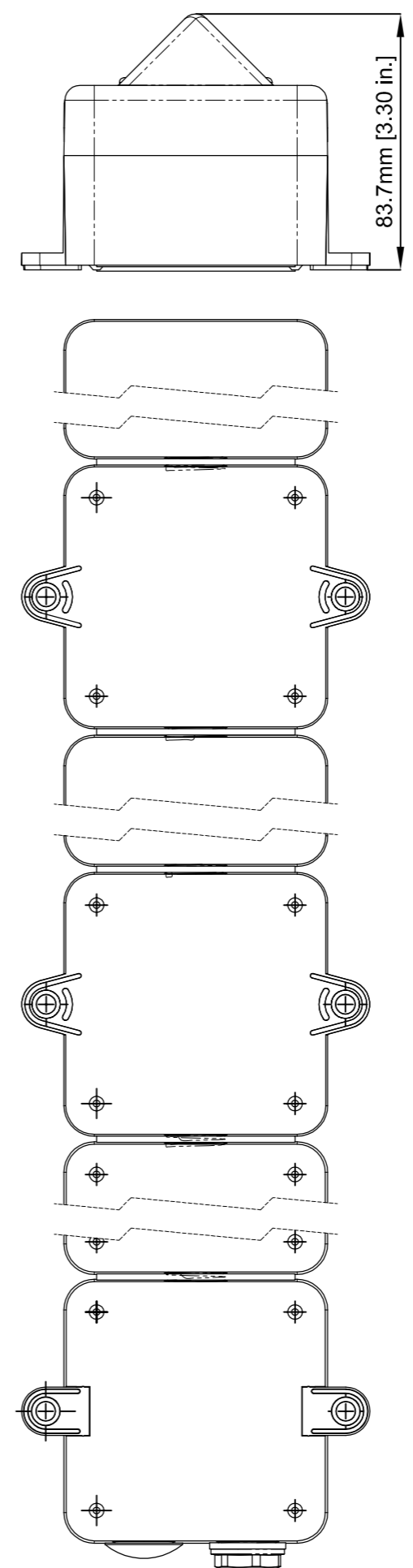
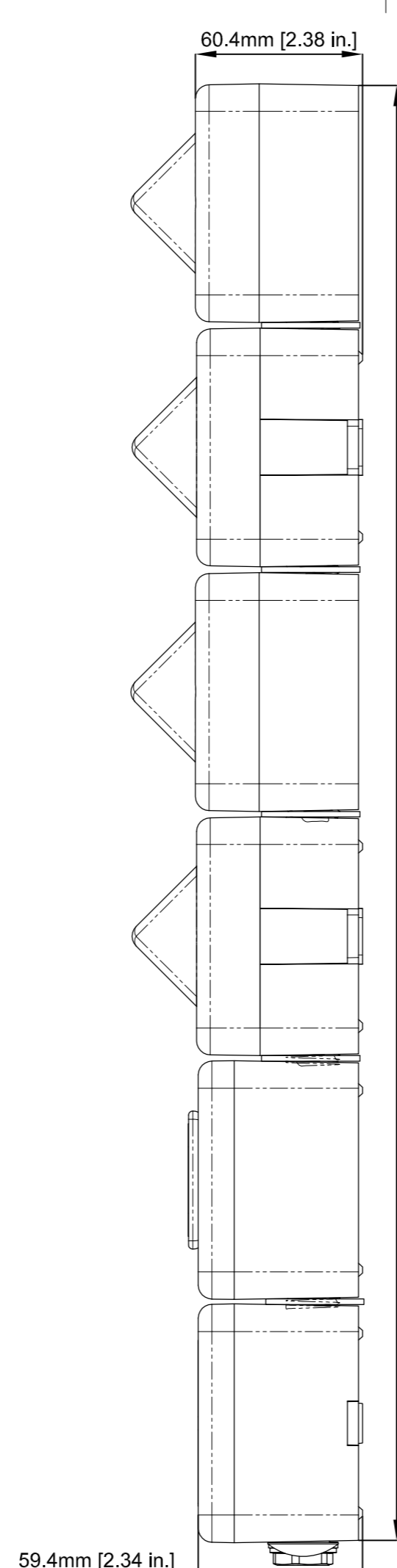
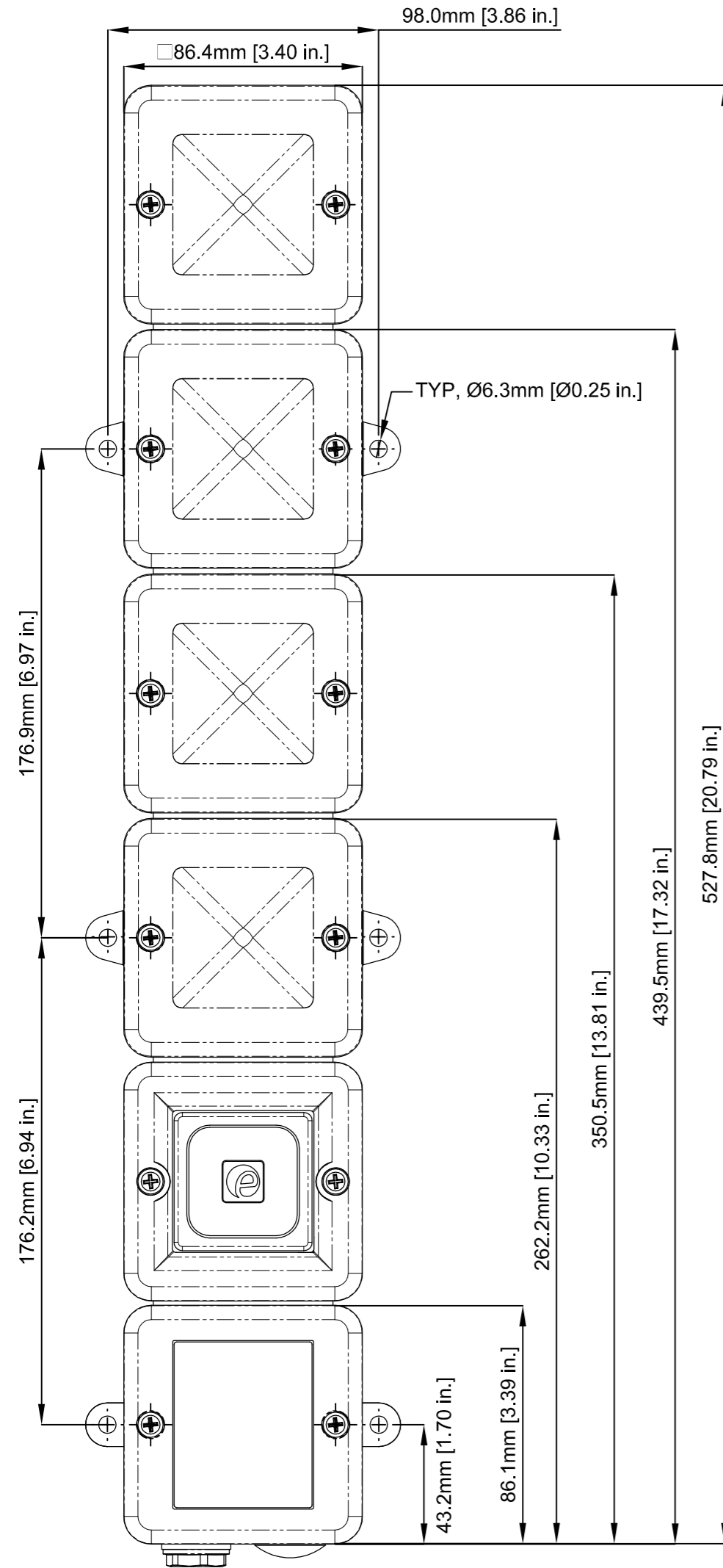
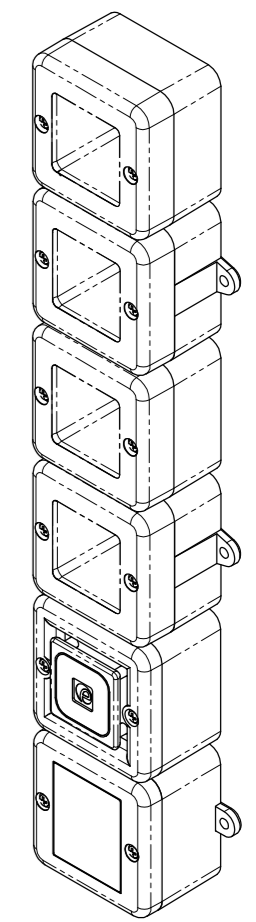


ISSUE	MOD No.	REASON - INITIAL - DATE
A		INTRODUCTION OF PART STC 13-03-12
B		UPDATED TO DUAL DIMS. RSR 02-07-13



E2S PART NO.	DESCRIPTION	DATA REFERENCE
L101STA4...	STA & ST-L101 STACK UNIT	2.31.010

WHERE APPLICABLE 'UL' VERSIONS ARE COVERED BY THIS OUTLINE DRAWING.



SCALE 1:2

DRAWING TO BS8888:2000 GEOMETRIC TOLERANCES TO ISO1101:1983 LINEAR DIMENSIONAL TOLS ANGULAR DIMENSIONAL TOLS	DRAWN	DATE	SURFACE FINISH	WEIGHT (Kg)
	S T CHU	19:03:12		
STANDARDS STA	CHECKED	DATE	MATERIAL	
	R.N.POTTS	19:03:12		
	APPROVED	DATE	ALTERNATIVE MATERIAL	
	R.N.POTTS	19:03:12		

THIS DRAWING AND ANY INFORMATION OR DESCRIPTIVE MATTER THEREIN IS COMMUNICATED IN CONFIDENCE AND IS THE COPYRIGHT PROPERTY OF EUROPEAN SAFETY SYSTEMS LTD. NEITHER THE WHOLE OR ANY EXTRACT MAY BE DISCLOSED, LOANED, COPIED OR USED FOR MANUFACTURING OR TENDERING PURPOSES WITHOUT THEIR WRITTEN CONSENT.

© EUROPEAN SAFETY SYSTEMS LTD.
AS PER LATEST DATE OF ISSUE SHOWN ABOVE

e2s
EUROPEAN SAFETY SYSTEMS LTD
IMPRESS HOUSE
MANSELL ROAD
ACTON
LONDON W3 7QH
WWW.E2S.COM

ALL DIMENSIONS IN MM IF IN DOUBT, ASK - DO NOT SCALE.		A1
TITLE STA4 SOUNDER AND 4 WAY BEACON STACK GA		
SCALE 1:1	SHEET 1 OF 1	DRAWING NUMBER SK0213