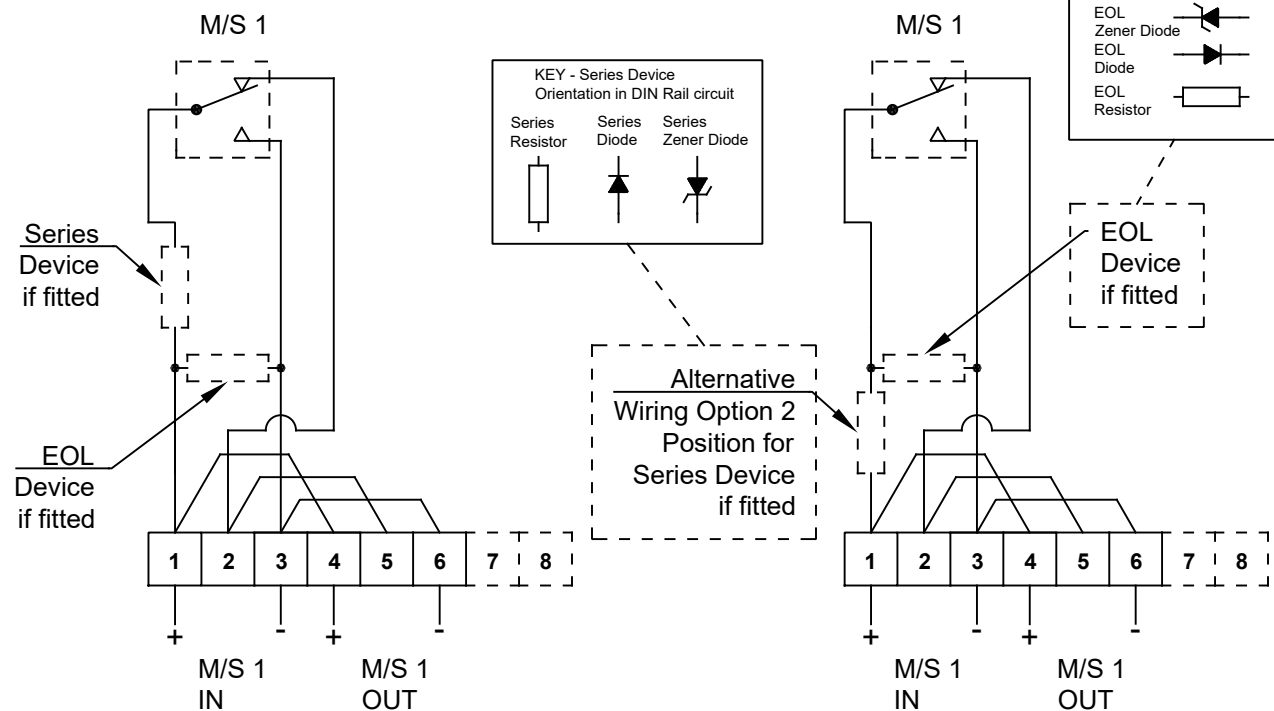
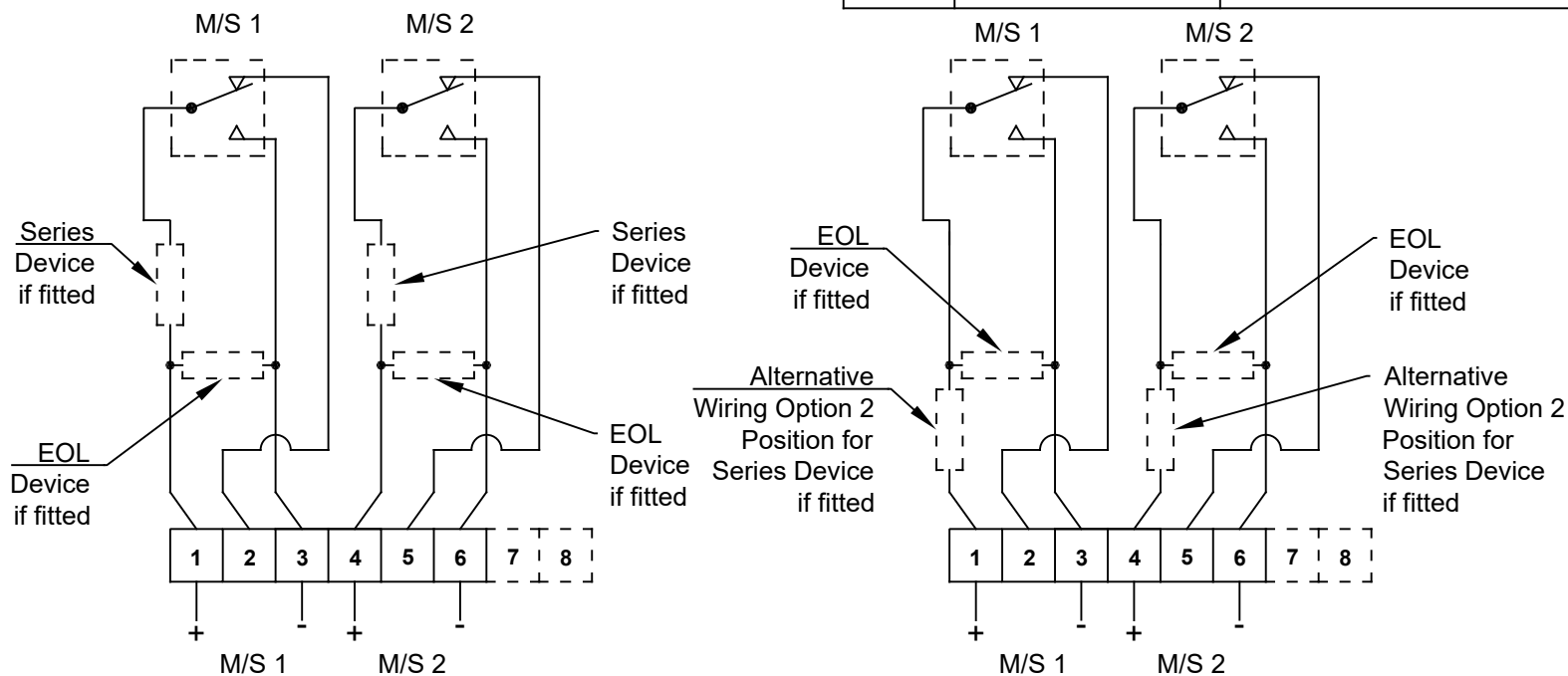


Single Microswitch only - Circuit shown with Unit un-operated
GNExCP7 UL38 DIN Rail / Terminal Version

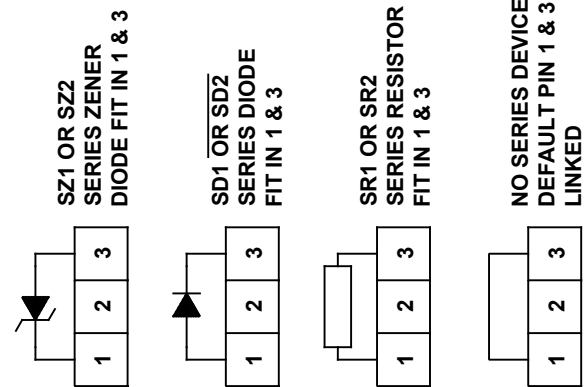


Double Microswitch only - Circuit shown with Unit un-operated
GNExCP7 UL38 DIN Rail / Terminal Version

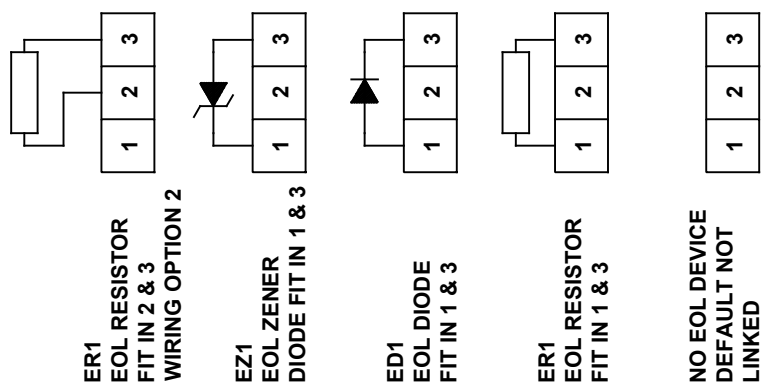


ISSUE	MOD No.	INITIAL/DATE
1		Introduction RSR 27-06-2019
2		Wiring Diagram SH2 rotated DH 12-11-2020

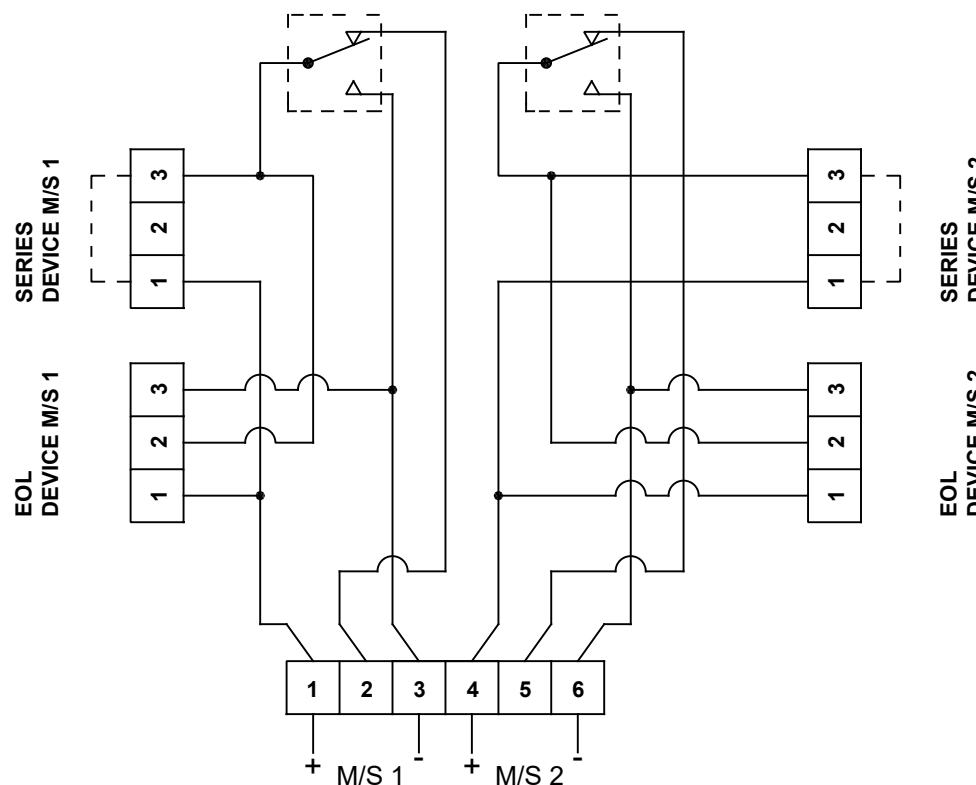
KEY - Series Devices
Orientaion in PCB
Circuit



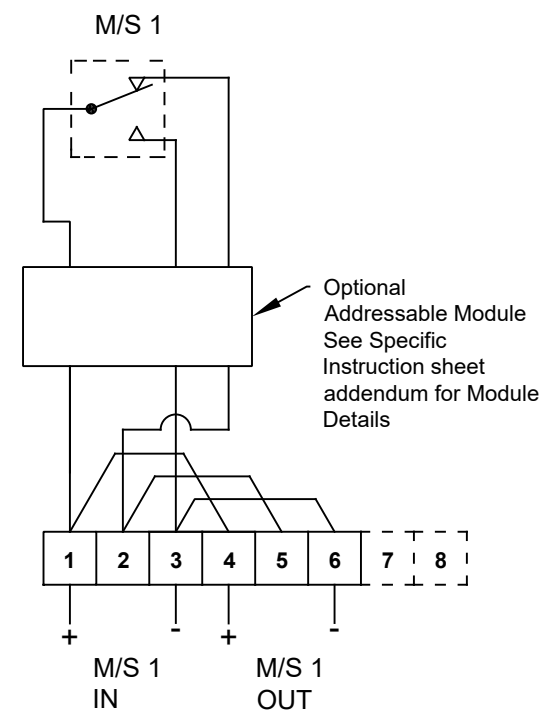
KEY -EOL Devices
Orientaion in PCB
Circuit



Optional Single or Double Microswitch
Circuit shown wit Unit un-operated : GNExCP7 UL38 PCB
Version M/S 1 M/S 2



Single Microswitch only - Circuit shown with Unit
un-operated
GNExCP7 UL38 DIN Rail / Terminal Version Optional
Module



DRAWING TO BS8888:2000
GEOMETRIC TOLERANCES TO ISO1101:1983
LINEAR DIMENSIONAL TOLS +/-0.35mm
ANGULAR DIMENSIONAL TOLS +/-2 deg

DRAWN R.S. RAIT DATE 27-06-2019

CHECKED B. ISARD DATE 27-06-2019

APPROVED R.N.POTTS DATE 27-06-2019

STANDARDS

GNExCP7PT UL 38

SURFACE FINISH WEIGHT (Kg)

MATERIAL

ALTERNATIVE MATERIAL

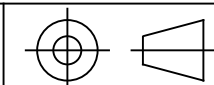
THIS DRAWING AND ANY INFORMATION OR DESCRIPTIVE
MATTER THEREIN IS COMMUNICATED IN CONFIDENCE AND IS
THE COPYRIGHT PROPERTY OF EUROPEAN SAFETY SYSTEMS
LTD. NEITHER THE WHOLE OR ANY EXTRACT MAY BE
DISCLOSED, LOANED, COPIED OR USED FOR MANUFACTURING
OR TENDERING PURPOSES WITHOUT THEIR WRITTEN
CONSENT.

© EUROPEAN SAFETY SYSTEMS LTD.
AS PER LATEST DATE OF ISSUE SHOWN ABOVE



EUROPEAN SAFETY SYSTEMS LTD
IMPRESS HOUSE
MANSELL ROAD
ACTON
LONDON W3 7QH
WWW.E2S.COM

ALL DIMENSIONS IN MM
IF IN DOUBT, ASK -
DO NOT SCALE



A3

TITLE GNExCP7 UL38 CALL POINT
WIRING / CIRCUIT OPERATION DIAGRAM

SCALE NTS

SHEET 1 OF 2

DRAWING NUMBER
D202-06-201

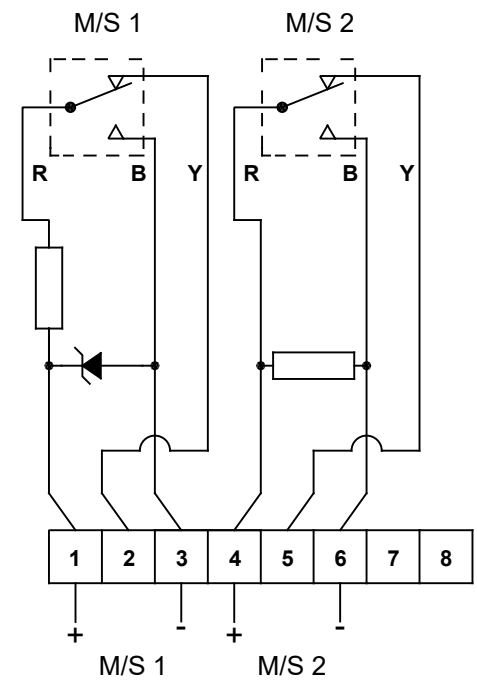
A	ISSUE	MOD No.	INITIAL/DATE	A
	1		Introduction RSR 27-06-2019	
	2		Wiring Diagram SH2 rotated DH 12-11-2020	

Example:

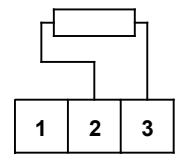
Dual Microswitch
Microswitch M/S 1
With EOL Zener
With series resistor

Microswitch M/S 2
With EOL resistor
With no series device

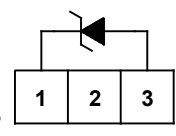
Simplified Diagram:



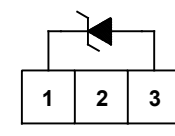
ER1
EOL RESISTOR
FIT IN 2 & 3
WIRING OPTION 2



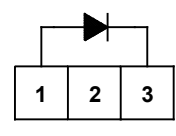
EZ1
EOL ZENER
DIODE FIT IN 1 & 3



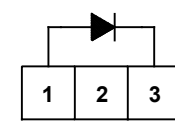
SZ1 OR SZ2
SERIES ZENER
DIODE FIT IN 1 & 3



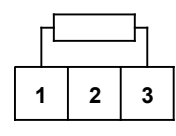
ED1
EOL DIODE
FIT IN 1 & 3



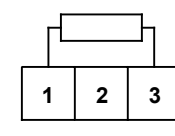
SD1 OR SD2
SERIES DIODE
FIT IN 1 & 3



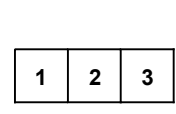
ER1
EOL RESISTOR
FIT IN 1 & 3



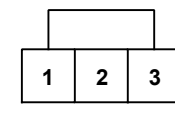
SR1 OR SR2
SERIES RESISTOR
FIT IN 1 & 3



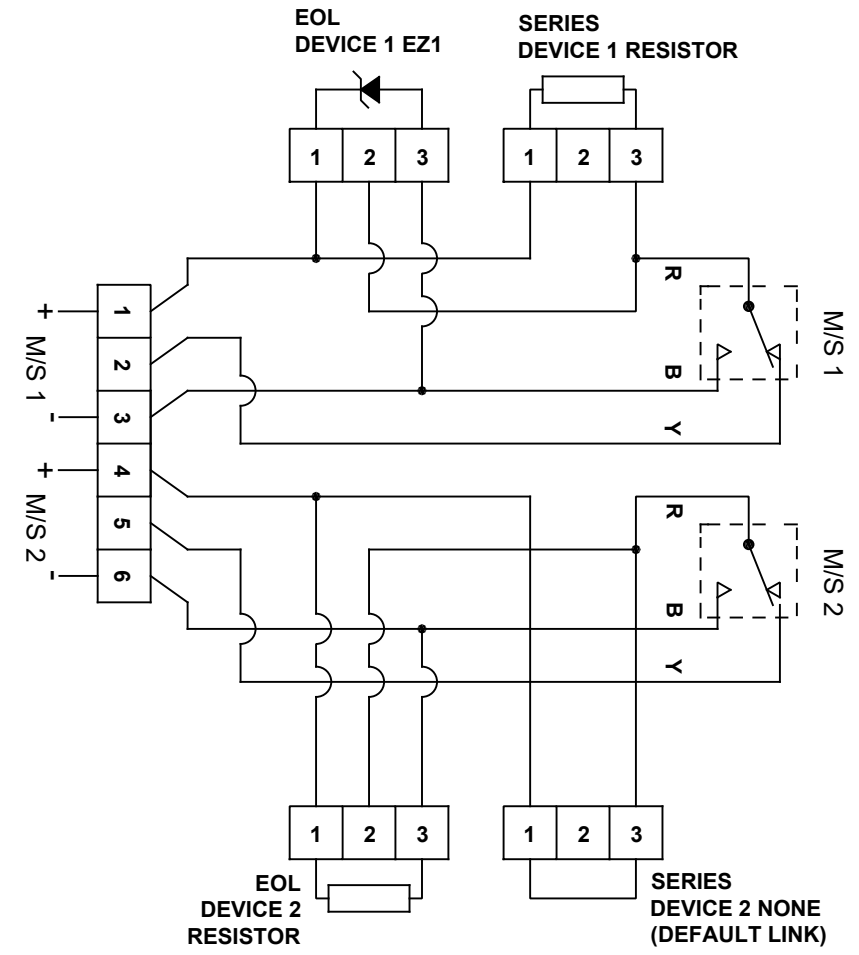
NO EOL DEVICE
DEFAULT NOT
LINKED



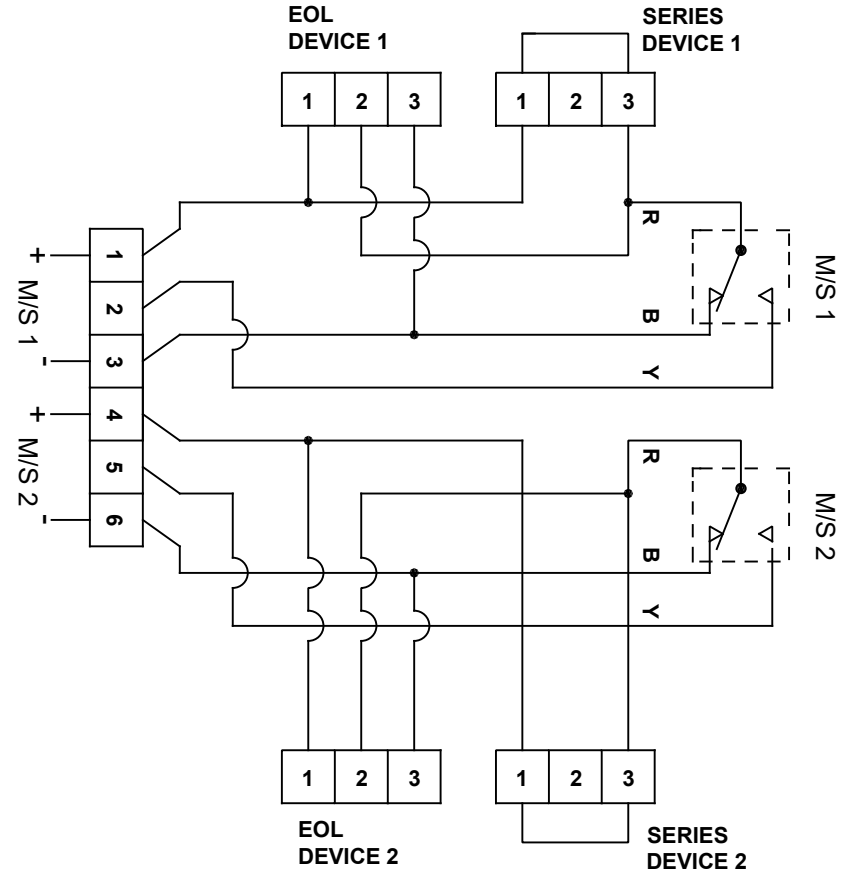
NO SERIES DEVICE
DEFAULT PIN 1 & 3
LINKED



Full Circuit Diagram:



1A - Circuit as shown in Unoperated condition
Terminals +(1) & -(3) M/S 1 and +(4) & -(6) M/S 2 open
Terminals +(1) & (2) M/S 1 and +(4) & (5) M/S 2 closed



1B - Circuit as shown in Operated condition
Terminals +(1) & (2) M/S 1 and +(4) & (5) M/S 2 open
Terminals +(1) & -(3) M/S 1 and +(4) & -(6) M/S 2 closed

DRAWING TO BS8888:2000
GEOMETRIC TOLERANCES TO ISO1101:1983
LINEAR DIMENSIONAL TOLS +/-0.35mm
ANGULAR DIMENSIONAL TOLS +/-2 deg

STANDARDS
GNExCP7PT UL 38

DRAWN	DATE
R.S. RAIT	27-06-2019
CHECKED	DATE
B. ISARD	27-06-2019
APPROVED	DATE
R.N.POTTS	27-06-2019

SURFACE FINISH	WEIGHT (Kg)
MATERIAL	
ALTERNATIVE MATERIAL	

THIS DRAWING AND ANY INFORMATION OR DESCRIPTIVE MATTER THEREIN IS COMMUNICATED IN CONFIDENCE AND IS THE COPYRIGHT PROPERTY OF EUROPEAN SAFETY SYSTEMS LTD. NEITHER THE WHOLE OR ANY EXTRACT MAY BE DISCLOSED, LOANED, COPIED OR USED FOR MANUFACTURING OR TENDERING PURPOSES WITHOUT THEIR WRITTEN CONSENT.

© EUROPEAN SAFETY SYSTEMS LTD.
AS PER LATEST DATE OF ISSUE SHOWN ABOVE

EUROPEAN SAFETY SYSTEMS LTD
IMPRESS HOUSE
MANSELL ROAD
ACTON
LONDON W3 7QH
WWW.E2S.COM

ALL DIMENSIONS IN MM IF IN DOUBT, ASK - DO NOT SCALE				A3
TITLE GNExCP7 UL38 CALL POINT WIRING / CIRCUIT OPERATION DIAGRAM				
SCALE NTS	SHEET 2 OF 2	DRAWING NUMBER D202-06-201		

G

G