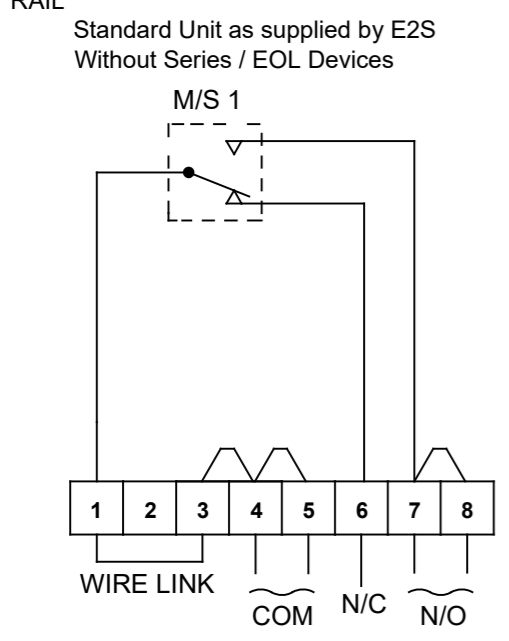
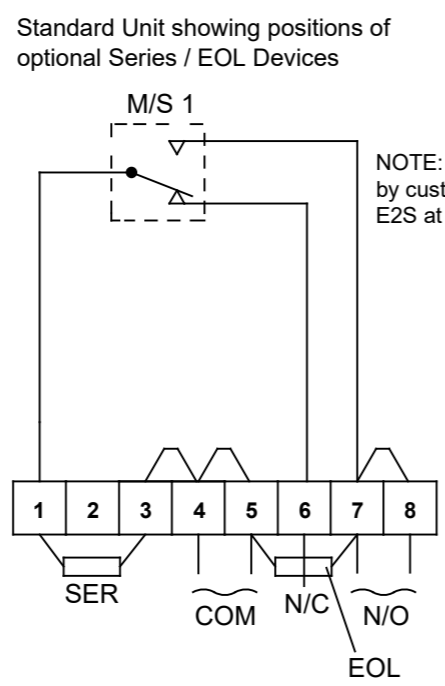


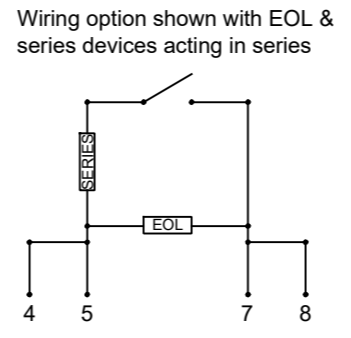
1	2	3	4	5	6	7	8	9	10	
E2S PART NO.	DESCRIPTION	DATA REFERENCE					ISSUE	MOD No.	INITIAL/DATE	
STExCP8 -BG	STExCP8 Ex d CALL POINT BREAK GLASS	1.24.120					1		Introduction RSR 03-07-2019	
STExCP8 -PB	STExCP8 Ex d CALL POINT PUSH BUTTON	1.24.140					2		Wiring Updated for DIN rail units. 23-03-2020	
STExCP8 -PM	STExCP8 Ex d CALL POINT MOMENTARY PUSH BUTTON	1.24.130					3		Additional Dual Switch DIN Wiring options added - DH 29-09-2020	
STExCP8 -PT	STExCP8 Ex d CALL POINT PUSH BUTTON TOOL RESET	1.24.130								
STExCP8 [] [S] [D]	SWITCH TYPE: [S] - Single Microswitch	TERMINAL TYPE [D] - DIN								



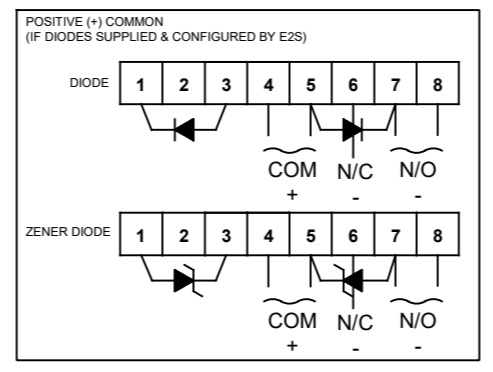
1A - Circuit as shown in Unoperated condition
Terminals (4/5) & (7/8) open
Terminals (4/5) & (6) closed



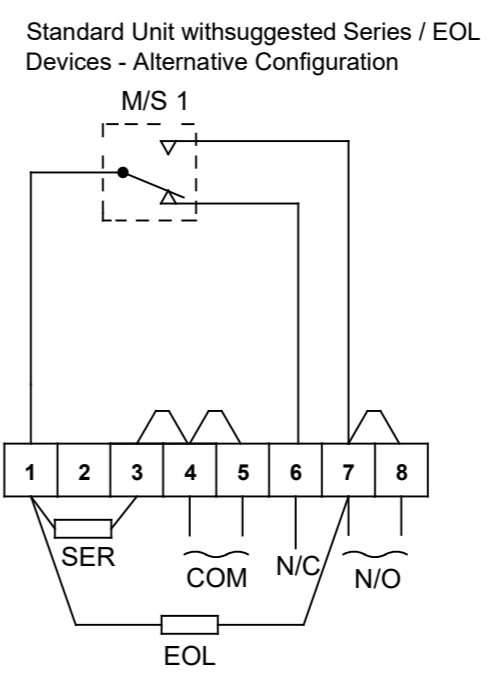
2A - Circuit as shown in Unoperated condition
Terminals (4/5) & (7/8) open
Terminals (4/5) & (6) closed



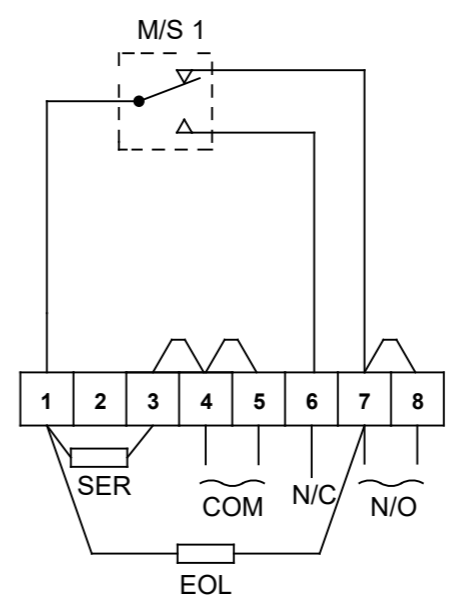
When fitting diodes or zener diodes, polarity across devices must be observed (Resistor polarity is unimportant)



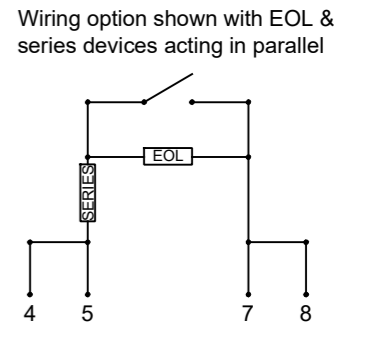
KEY:
COM - Common
N/C - Normally Closed (Contacts closed in unoperated state)
N/O - Normally Open (Contacts open in unoperated state)



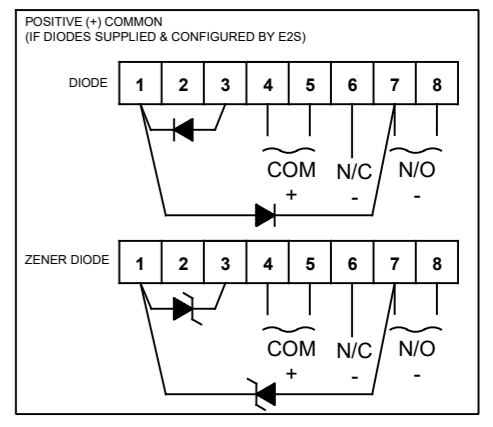
3A - Circuit as shown in Unoperated condition
Terminals (4/5) & (7/8) open
Terminals (4/5) & (6) closed



3B - Circuit as shown in Operated condition
Terminals (4/5) & (7/8) closed
Terminals (4/5) & (6) open



When fitting diodes or zener diodes, polarity across devices must be observed (Resistor polarity is unimportant)



FOR PERMITTED MIN/MAX VALUES OF EOL & SERIES DEVICES, PLEASE REFER TO INSTRUCTIONS

DRAWING TO BS8888:2000
GEOMETRIC TOLERANCES TO ISO1101:1983
LINEAR DIMENSIONAL TOLS +/-0.35mm
ANGULAR DIMENSIONAL TOLS +/-2 deg

DRAWN	R.S.RAIT	DATE	03-07-2019
CHECKED	B.ISARD	DATE	03-07-2019
APPROVED	R.N.POTTS	DATE	03-07-2019

SURFACE FINISH	WEIGHT (Kg)
MATERIAL	
ALTERNATIVE MATERIAL	

THIS DRAWING AND ANY INFORMATION OR DESCRIPTIVE MATTER THEREIN IS COMMUNICATED IN CONFIDENCE AND IS THE COPYRIGHT PROPERTY OF EUROPEAN SAFETY SYSTEMS LTD. NEITHER THE WHOLE OR ANY EXTRACT MAY BE DISCLOSED, LOANED, COPIED OR USED FOR MANUFACTURING OR TENDERING PURPOSES WITHOUT THEIR WRITTEN CONSENT.

© EUROPEAN SAFETY SYSTEMS LTD.
AS PER LATEST DATE OF ISSUE SHOWN ABOVE

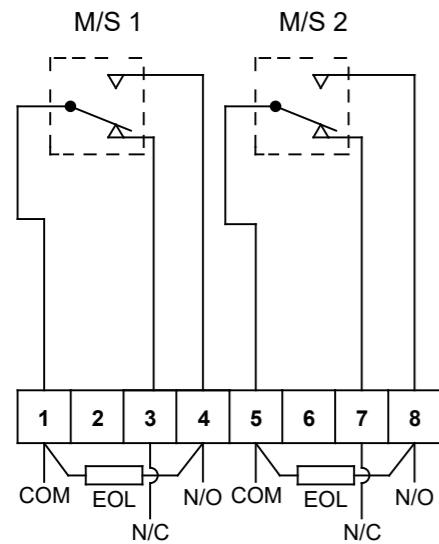
e2s warning signals
EUROPEAN SAFETY SYSTEMS LTD
IMPRESS HOUSE
MANSELL ROAD
ACTON
LONDON W3 7QH
WWW.E2S.COM

ALL DIMENSIONS IN MM IF IN DOUBT, ASK - DO NOT SCALE					A3
TITLE		STExCP8 CALL POINT WIRING / CIRCUIT OPERATION DIAGRAM			
SCALE	SHEET	DRAWING NUMBER			
NTS	1 OF 4	D204-06-001			

1	2	3	4	5	6	7	8	9	10
							ISSUE	MOD No.	INITIAL/DATE
							1		Introduction RSR 03-07-2019
							2		Wiring Updated for DIN rail units. 23-03-2020
							3		Additional Dual Switch DIN Wiring options added - DH 29-09-2020

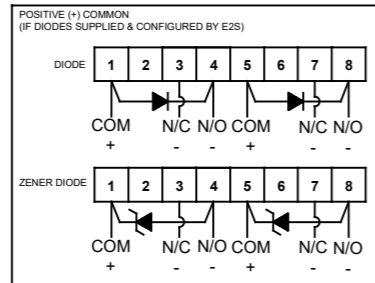
STExCP8 [] [D] [D] SWITCH TYPE: [D] - Double Microswitch TERMINAL TYPE [D] - DIN RAIL

Standard Unit showing positions of optional EOL Devices

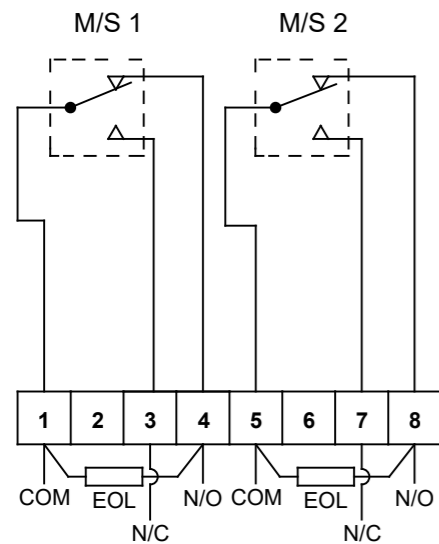


NOTE: These can be fitted either by customer or pre-installed by E2S at point of order.

When fitting diodes or zener diodes, polarity across devices must be observed (Resistor polarity is unimportant)



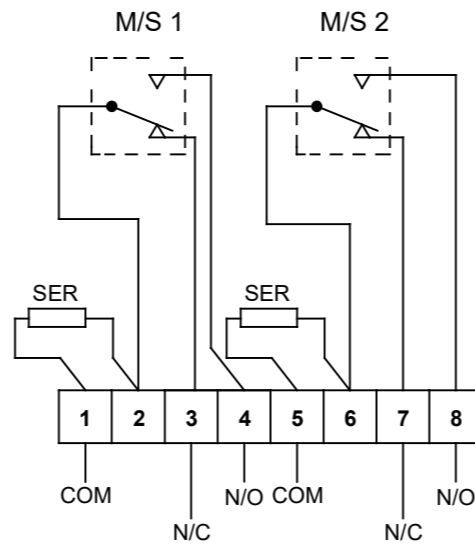
4A - Circuit as shown in Unoperated condition
Terminals (1) & (4) M/S 1 and (5) & (8) M/S 2 open
Terminals (1) & (3) M/S 1 and (5) & (7) M/S 2 closed



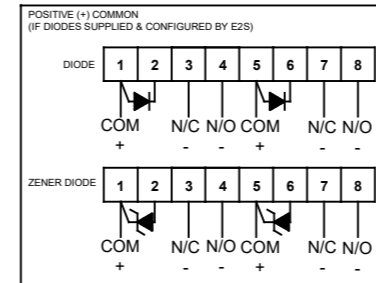
FOR PERMITTED MIN/MAX VALUES OF EOL & SERIES DEVICES, PLEASE REFER TO INSTRUCTIONS

4B - Circuit as shown in Operated condition
Terminals (1) & (4) M/S 1 and (5) & (8) M/S 2 closed
Terminals (1) & (3) M/S 1 and (5) & (7) M/S 2 open

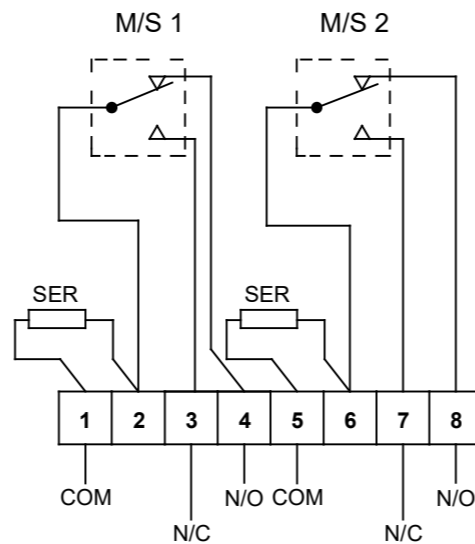
Standard Unit showing positions of optional Series Devices



When fitting diodes or zener diodes, polarity across devices must be observed (Resistor polarity is unimportant)

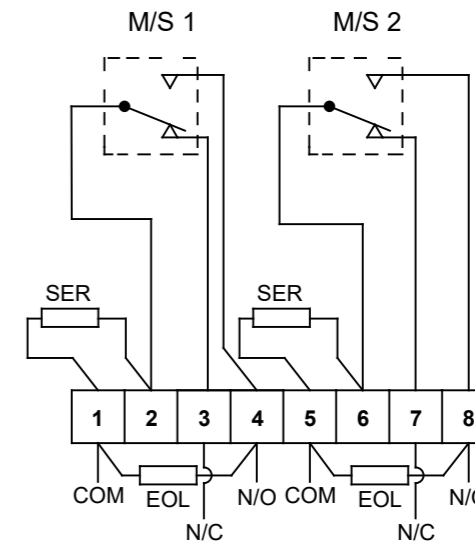


4A - Circuit as shown in Unoperated condition
Terminals (1) & (4) M/S 1 and (5) & (8) M/S 2 open
Terminals (1) & (3) M/S 1 and (5) & (7) M/S 2 closed

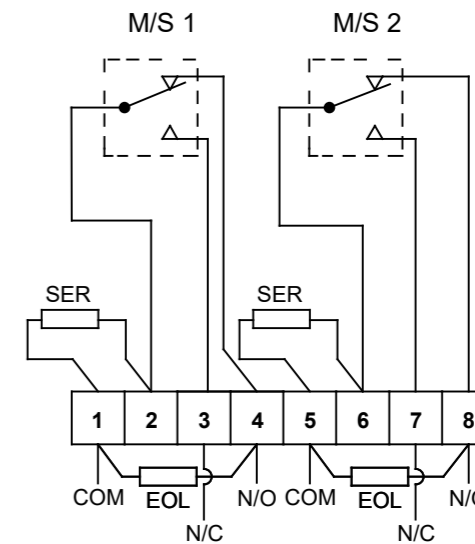


4B - Circuit as shown in Operated condition
Terminals (1) & (4) M/S 1 and (5) & (8) M/S 2 closed
Terminals (1) & (3) M/S 1 and (5) & (7) M/S 2 open

Standard Unit showing positions of optional Series and EOL Devices



4A - Circuit as shown in Unoperated condition
Terminals (1) & (4) M/S 1 and (5) & (8) M/S 2 open
Terminals (1) & (3) M/S 1 and (5) & (7) M/S 2 closed



4B - Circuit as shown in Operated condition
Terminals (1) & (4) M/S 1 and (5) & (8) M/S 2 closed
Terminals (1) & (3) M/S 1 and (5) & (7) M/S 2 open

DRAWING TO BS8888:2000 GEOMETRIC TOLERANCES TO ISO1101:1983 LINEAR DIMENSIONAL TOLS +/-0.35mm ANGULAR DIMENSIONAL TOLS +/-2 deg	DRAWN	DATE
	R.S.RAIT	03-07-2019
	CHECKED	DATE
STANDARDS	B.ISARD	03-07-2019
	APPROVED	DATE
STExCP8	R.N.POTTS	03-07-2019

SURFACE FINISH	WEIGHT (Kg)
MATERIAL	
ALTERNATIVE MATERIAL	

THIS DRAWING AND ANY INFORMATION OR DESCRIPTIVE MATTER THEREIN IS COMMUNICATED IN CONFIDENCE AND IS THE COPYRIGHT PROPERTY OF EUROPEAN SAFETY SYSTEMS LTD. NEITHER THE WHOLE OR ANY EXTRACT MAY BE DISCLOSED, LOANED, COPIED OR USED FOR MANUFACTURING OR TENDERING PURPOSES WITHOUT THEIR WRITTEN CONSENT.

© EUROPEAN SAFETY SYSTEMS LTD.
AS PER LATEST DATE OF ISSUE SHOWN ABOVE

e2s warning signals
EUROPEAN SAFETY SYSTEMS LTD
IMPRESS HOUSE
MANSELL ROAD
ACTON
LONDON W3 7QH
WWW.E2S.COM

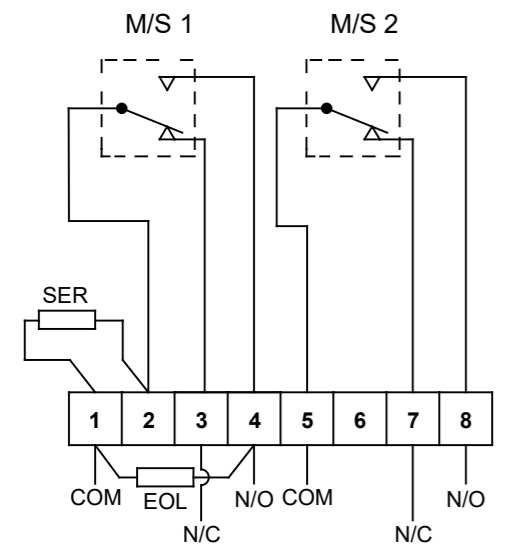
ALL DIMENSIONS IN MM IF IN DOUBT, ASK - DO NOT SCALE		A3
TITLE STExCP8 CALL POINT WIRING / CIRCUIT OPERATION DIAGRAM		
SCALE NTS	SHEET 2 OF 4	DRAWING NUMBER D204-06-001

STExCP8	R.S.RAIT	03-07-2019
B.ISARD	03-07-2019	
R.N.POTTS	03-07-2019	

ISSUE	MOD No.	INITIAL/DATE
1		Introduction RSR 03-07-2019
2		Wiring Updated for DIN rail units. 23-03-2020
3		Additional Dual Switch DIN Wiring options added - DH 29-09-2020

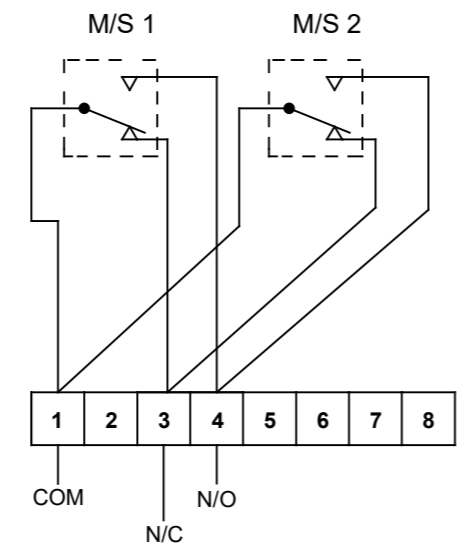
STExCP8 [] [D] [D] ... [W1] SWITCH TYPE: [D] - Double Microswitch TERMINAL TYPE [D] - DIN RAIL VERSION [W1] - Special Wiring

Special Wiring
Option A - Series & EOL on M/S 1



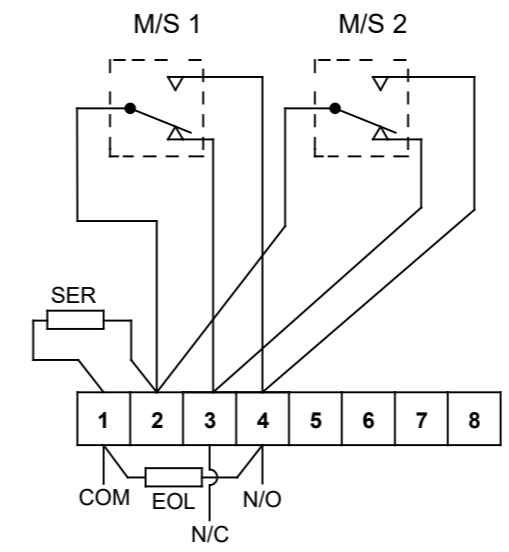
4A - Circuit as shown in Unoperated condition
Terminals (1) & (4) M/S 1 and (5) & (8) M/S 2 open
Terminals (1) & (3) M/S 1 and (5) & (7) M/S 2 closed

Special Wiring
Option B - M/S 1 and M/S 2 connected



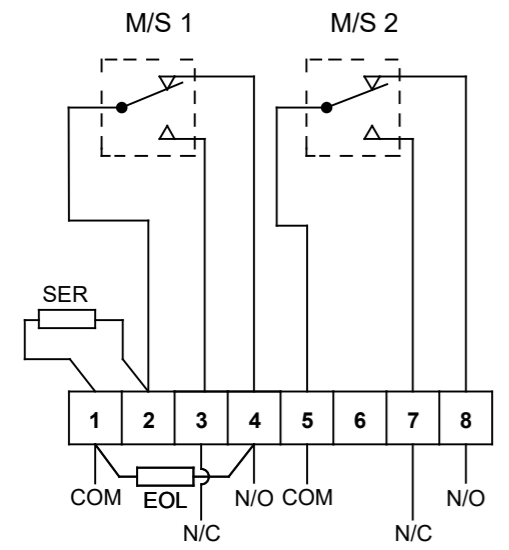
4A - Circuit as shown in Unoperated condition
Terminals (1) & (4) M/S 1 and M/S 2 open
Terminals (1) & (3) M/S 1 and M/S 2 closed

Special Wiring
Option C - Series & EOL with M/S 1 and M/S 2 connected

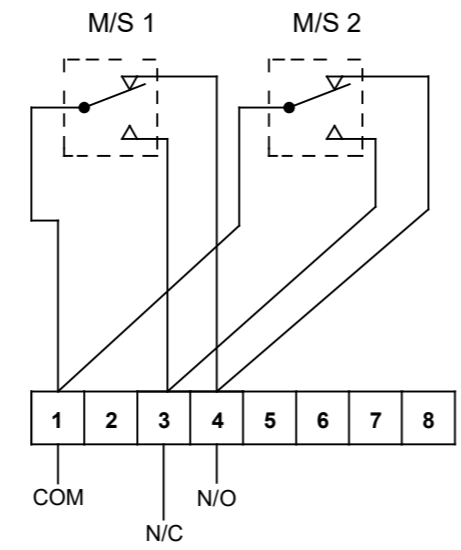


4A - Circuit as shown in Unoperated condition
Terminals (1) & (4) M/S 1 and M/S 2 open
Terminals (1) & (3) M/S 1 and M/S 2 closed

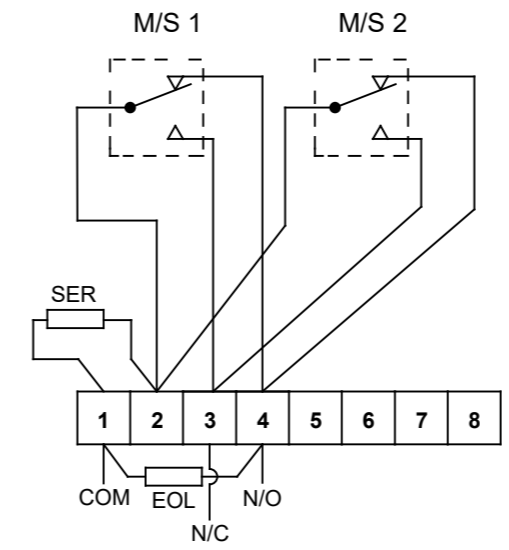
Other wiring configurations are available pre-configured
Contact E2S sales for special wiring requests



4B - Circuit as shown in Operated condition
Terminals (1) & (4) M/S 1 and (5) & (8) M/S 2 closed
Terminals (1) & (3) M/S 1 and (5) & (7) M/S 2 open



4B - Circuit as shown in Operated condition
Terminals (1) & (4) M/S 1 and M/S 2 closed
Terminals (1) & (3) M/S 1 and M/S 2 open



4B - Circuit as shown in Operated condition
Terminals (1) & (4) M/S 1 and M/S 2 closed
Terminals (1) & (3) M/S 1 and M/S 2 open

DRAWING TO BS8888:2000
GEOMETRIC TOLERANCES TO ISO1101:1983
LINEAR DIMENSIONAL TOLS +/-0.35mm
ANGULAR DIMENSIONAL TOLS +/-2 deg

DRAWN	R.S.RAIT	DATE	03-07-2019
CHECKED	B.ISARD	DATE	03-07-2019
APPROVED	R.N.POTTS	DATE	03-07-2019

SURFACE FINISH	WEIGHT (Kg)
MATERIAL	
ALTERNATIVE MATERIAL	

THIS DRAWING AND ANY INFORMATION OR DESCRIPTIVE MATTER THEREIN IS COMMUNICATED IN CONFIDENCE AND IS THE COPYRIGHT PROPERTY OF EUROPEAN SAFETY SYSTEMS LTD. NEITHER THE WHOLE OR ANY EXTRACT MAY BE DISCLOSED, LOANED, COPIED OR USED FOR MANUFACTURING OR TENDERING PURPOSES WITHOUT THEIR WRITTEN CONSENT.

© EUROPEAN SAFETY SYSTEMS LTD.
AS PER LATEST DATE OF ISSUE SHOWN ABOVE

EUROPEAN SAFETY SYSTEMS LTD
IMPRESS HOUSE
MANSELL ROAD
ACTON
LONDON W3 7QH
WWW.E2S.COM

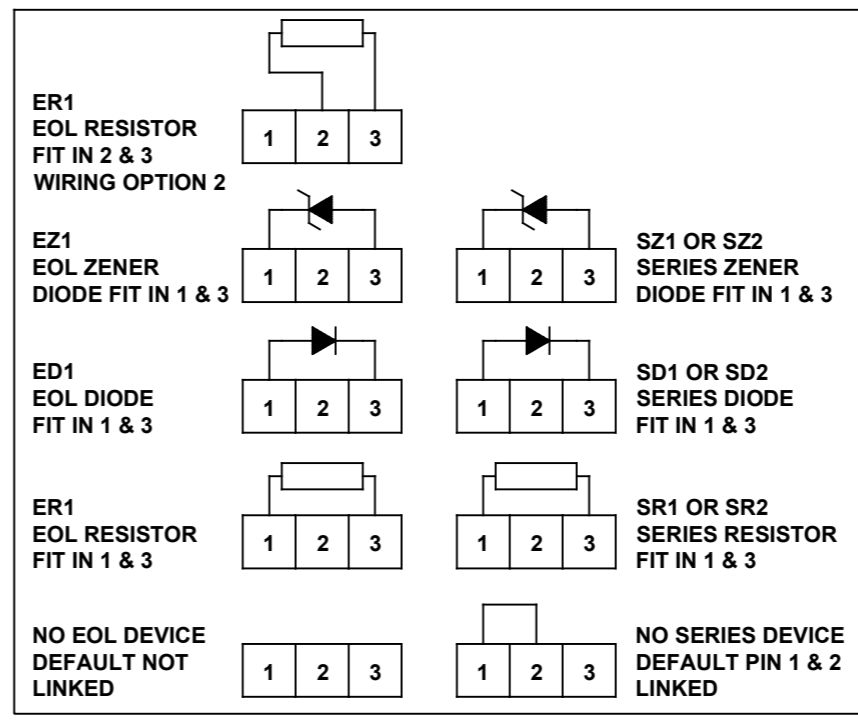
ALL DIMENSIONS IN MM IF IN DOUBT, ASK - DO NOT SCALE			A3
TITLE STExCP8 CALL POINT WIRING / CIRCUIT OPERATION DIAGRAM			
SCALE NTS	SHEET 3 OF 4	DRAWING NUMBER D204-06-001	

STExCP8 [] [S] [P]
STExCP8 [] [D] [P]

SWITCH TYPE: [S] - Single Microswitch
SWITCH TYPE: [D] - Double Microswitch

TERMINAL TYPE [P] - PCB
TERMINAL TYPE [P] - PCB

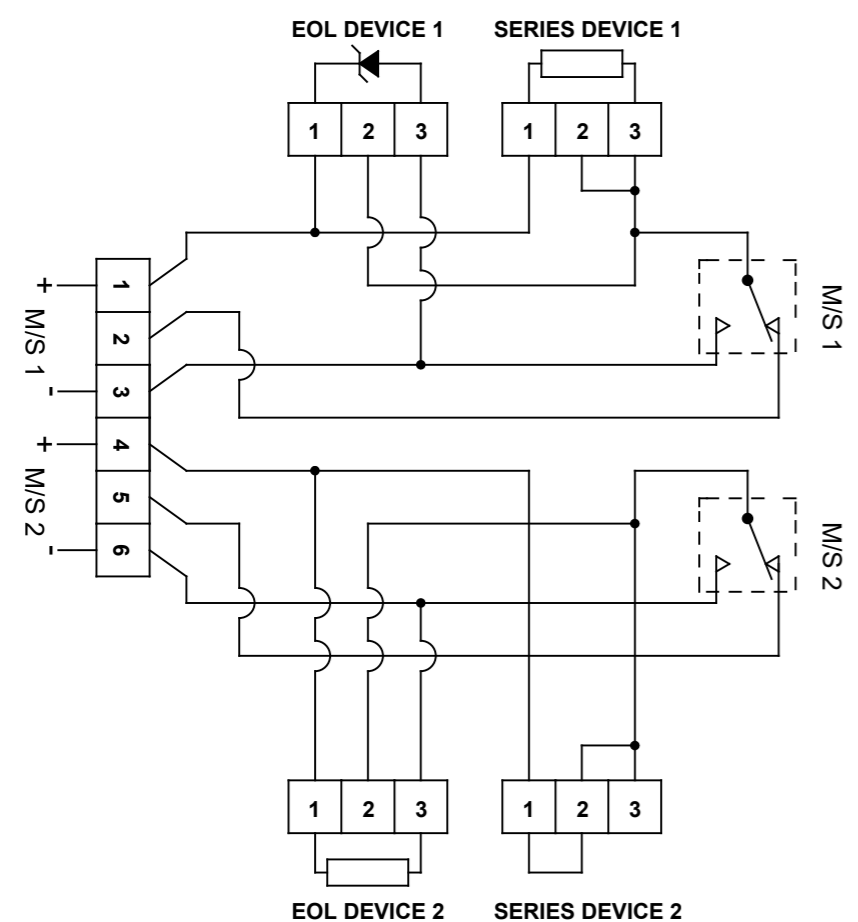
FOR PERMITTED MIN/MAX
VALUES OF EOL & SERIES
DEVICES, PLEASE REFER TO
INSTRUCTIONS



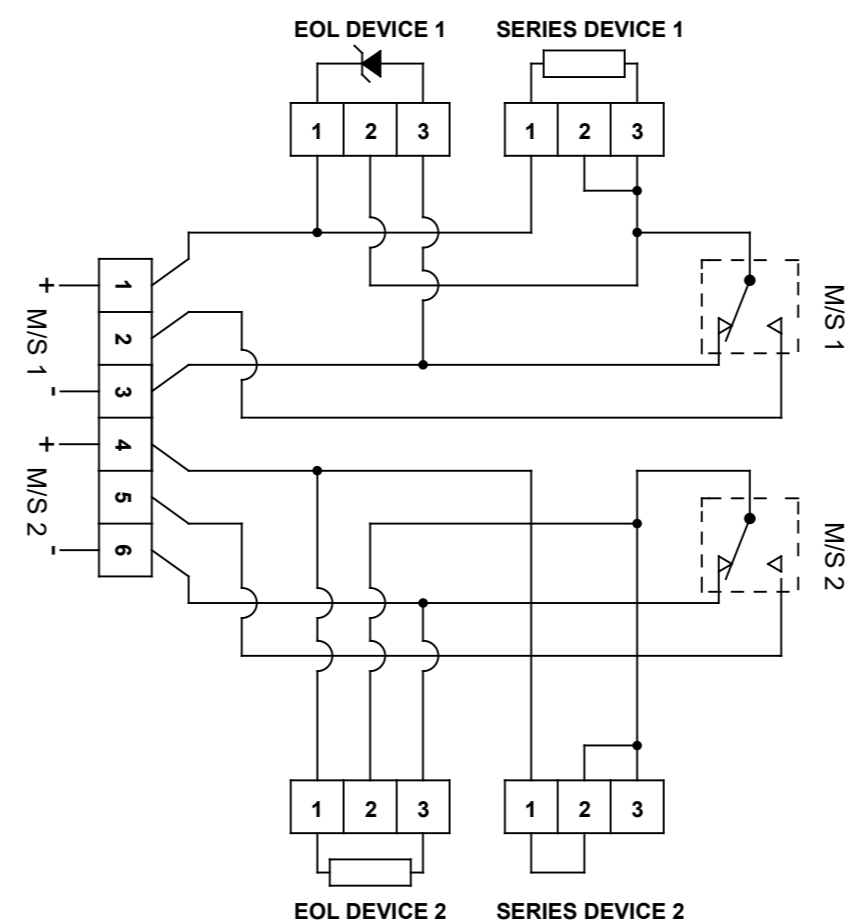
Optional Single or Double Microswitch

Circuit shown with Double Microswitch, Unit un-operated : STExCP8 PCB Version

Devices selected only as example:
On M/S 1: Series resistor and EOL Zener diode
On M/S 2: EOL resistor with no series device



5A - Circuit as shown in Unoperated condition
Terminals +(1) & -(3) M/S 1 and +(4) & -(6) M/S 2 open
Terminals +(1) & (2) M/S 1 and +(4) & (5) M/S 2 closed



5B - Circuit as shown in Operated condition
Terminals +(1) & (2) M/S 1 and +(4) & (5) M/S 2 open
Terminals +(1) & -(3) M/S 1 and +(4) & -(6) M/S 2 closed

ISSUE	MOD No.	INITIAL/DATE
1		Introduction RSR 03-07-2019
2		Wiring Updated for DIN rail units. 23-03-2020
3		Additional Dual Switch DIN Wiring options added - DH 29-09-2020

DRAWING TO BS8888:2000
GEOMETRIC TOLERANCES TO ISO1101:1983
LINEAR DIMENSIONAL TOLS +/-0.35mm
ANGULAR DIMENSIONAL TOLS +/-2 deg

DRAWN	R.S.RAIT	DATE	03-07-2019
CHECKED	B.ISARD	DATE	03-07-2019
APPROVED	R.N.POTTS	DATE	03-07-2019

SURFACE FINISH	WEIGHT (kg)
MATERIAL	
ALTERNATIVE MATERIAL	

THIS DRAWING AND ANY INFORMATION OR DESCRIPTIVE
MATTER THEREIN IS COMMUNICATED IN CONFIDENCE AND IS
THE COPYRIGHT PROPERTY OF EUROPEAN SAFETY SYSTEMS
LTD. NEITHER THE WHOLE OR ANY EXTRACT MAY BE
DISCLOSED, LOANED, COPIED OR USED FOR MANUFACTURING
OR TENDERING PURPOSES WITHOUT THEIR WRITTEN
CONSENT.

© EUROPEAN SAFETY SYSTEMS LTD.
AS PER LATEST DATE OF ISSUE SHOWN ABOVE

EUROPEAN SAFETY SYSTEMS LTD
IMPRESS HOUSE
MANSELL ROAD
ACTON
LONDON W3 7QH
WWW.E2S.COM

ALL DIMENSIONS IN MM IF IN DOUBT, ASK - DO NOT SCALE		A3	
TITLE STExCP8 CALL POINT WIRING / CIRCUIT OPERATION DIAGRAM			
SCALE NTS	SHEET 4 OF 4	DRAWING NUMBER D204-06-001	