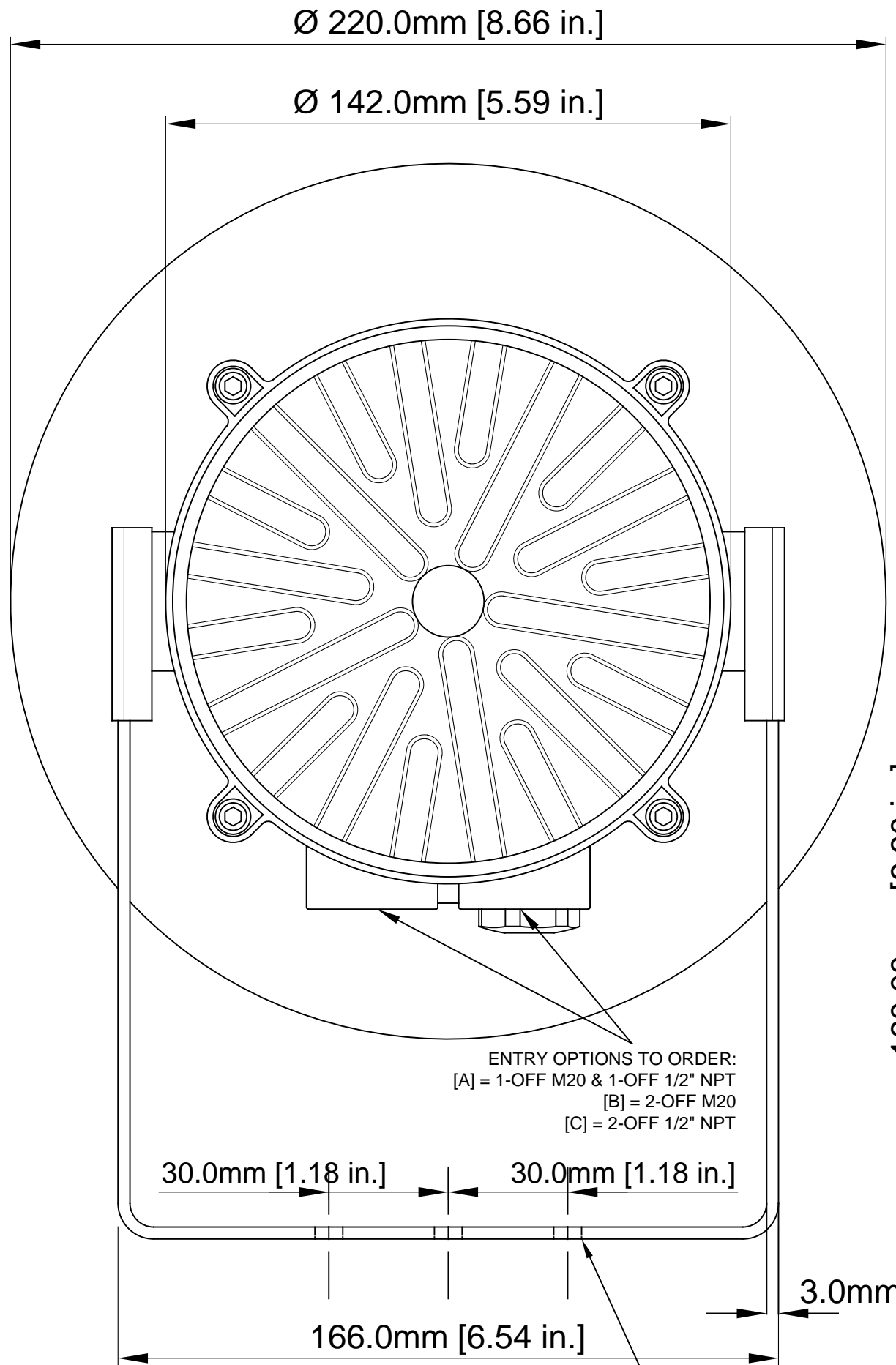
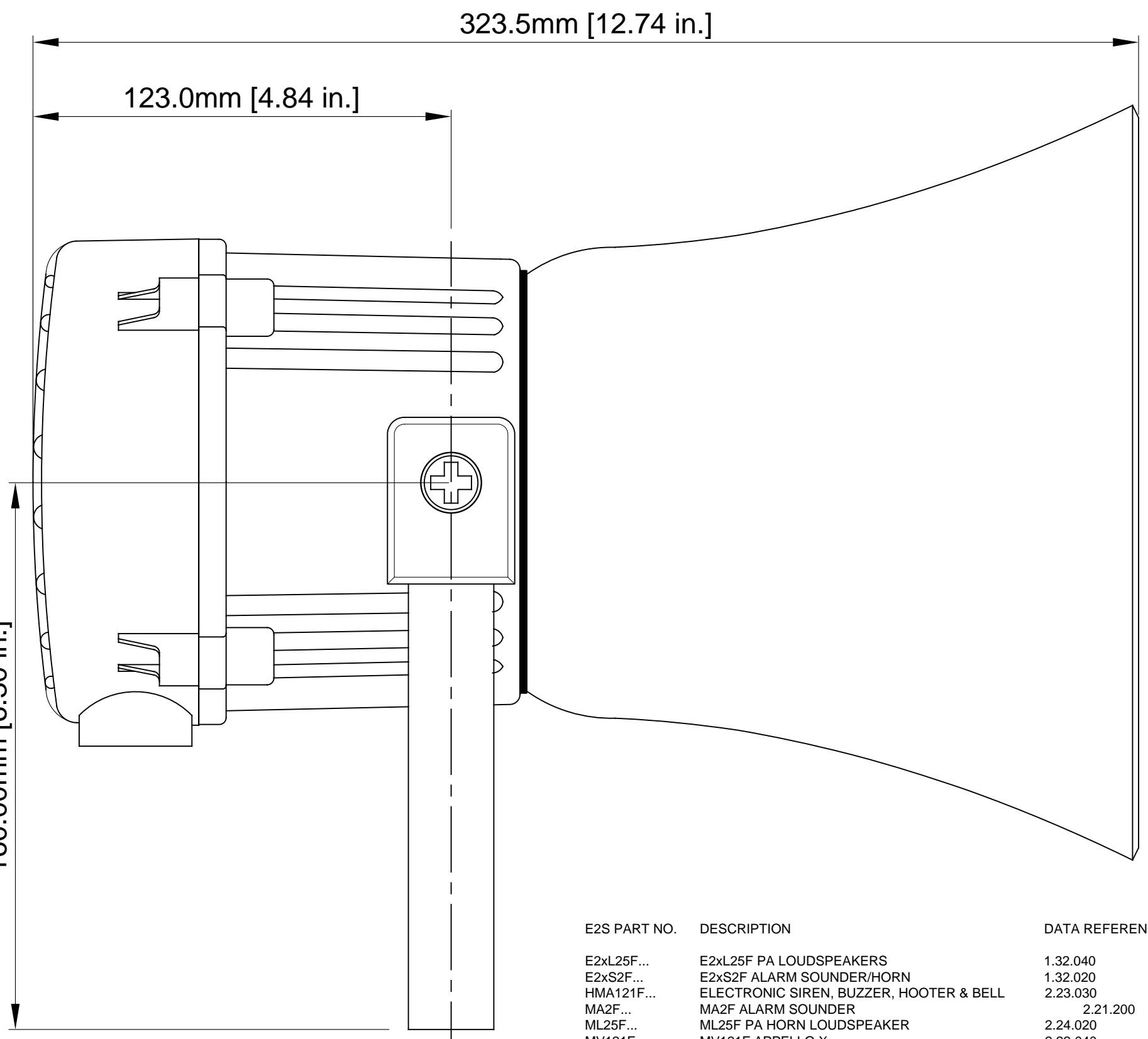


| | | |
|-------|---------|-------------------------------------|
| ISSUE | MOD No. | INITIAL/DATE |
| A | | TAKEN FROM SK0122 RSR 05-01-2021 |



ENTRY OPTIONS TO ORDER:
 [A] = 1-OFF M20 & 1-OFF 1/2" NPT
 [B] = 2-OFF M20
 [C] = 2-OFF 1/2" NPT



| E2S PART NO. | DESCRIPTION | DATA REFERENCE |
|--------------|---|----------------|
| E2xL25F... | E2xL25F PA LOUDSPEAKERS | 1.32.040 |
| E2xS2F... | E2xS2F ALARM SOUNDER/HORN | 1.32.020 |
| HMA121F... | ELECTRONIC SIREN, BUZZER, HOOTER & BELL | 2.23.030 |
| MA2F... | MA2F ALARM SOUNDER | 2.21.200 |
| ML25F... | ML25F PA HORN LOUDSPEAKER | 2.24.020 |
| MV121F... | MV121F APPELLO X | 2.22.040 |

WHERE APPLICABLE UL VERSIONS ARE COVERED BY THIS OUTLINE DRAWING.

| | | | | |
|---|------------------------------------|--------------------|----------------------|-------------|
| DRAWING TO BS8888:2000 GEOMETRIC TOLERANCES TO ISO1101:1983 LINEAR DIMENSIONAL TOLS ANGULAR DIMENSIONAL TOLS | DRAWN R. S. RAIT 18-12-2020 | DATE 18-12-2020 | SURFACE FINISH | WEIGHT (Kg) |
| STANDARDS | CHECKED B. ISARD 18-12-2020 | DATE 18-12-2020 | MATERIAL | |
| | APPROVED R. POTTS 18-12-2020 | DATE 18-12-2020 | ALTERNATIVE MATERIAL | |

| | | | | |
|------------------------------------|--|--------------------|----------------------|-------------|
| DRAWN R. S. RAIT 18-12-2020 | | DATE 18-12-2020 | SURFACE FINISH | WEIGHT (Kg) |
| CHECKED B. ISARD 18-12-2020 | | DATE 18-12-2020 | MATERIAL | |
| APPROVED R. POTTS 18-12-2020 | | DATE 18-12-2020 | ALTERNATIVE MATERIAL | |

THIS DRAWING AND ANY INFORMATION OR DESCRIPTIVE MATTER THEREIN IS COMMUNICATED IN CONFIDENCE AND IS THE COPYRIGHT PROPERTY OF EUROPEAN SAFETY SYSTEMS LTD. NEITHER THE WHOLE OR ANY EXTRACT MAY BE DISCLOSED, LOANED, COPIED OR USED FOR MANUFACTURING OR TENDERING PURPOSES WITHOUT THEIR WRITTEN CONSENT.

© EUROPEAN SAFETY SYSTEMS LTD.
AS PER LATEST DATE OF ISSUE SHOWN ABOVE

e2s
warning signals

EUROPEAN SAFETY SYSTEMS LTD
IMPRESS HOUSE
MANSELL ROAD
ACTON
LONDON W3 7QH
WWW.E2S.COM

| | | | | |
|--|-----------------|-------------------------------|--|----|
| ALL DIMENSIONS IN MM IF IN DOUBT, ASK - DO NOT SCALE | | | | A2 |
| TITLE E2xS2F / MA2F SOUNDER OUTLINE | | | | |
| SCALE 1:1 | SHEET 1 OF 1 | DRAWING NUMBER D207-05-101 | | |