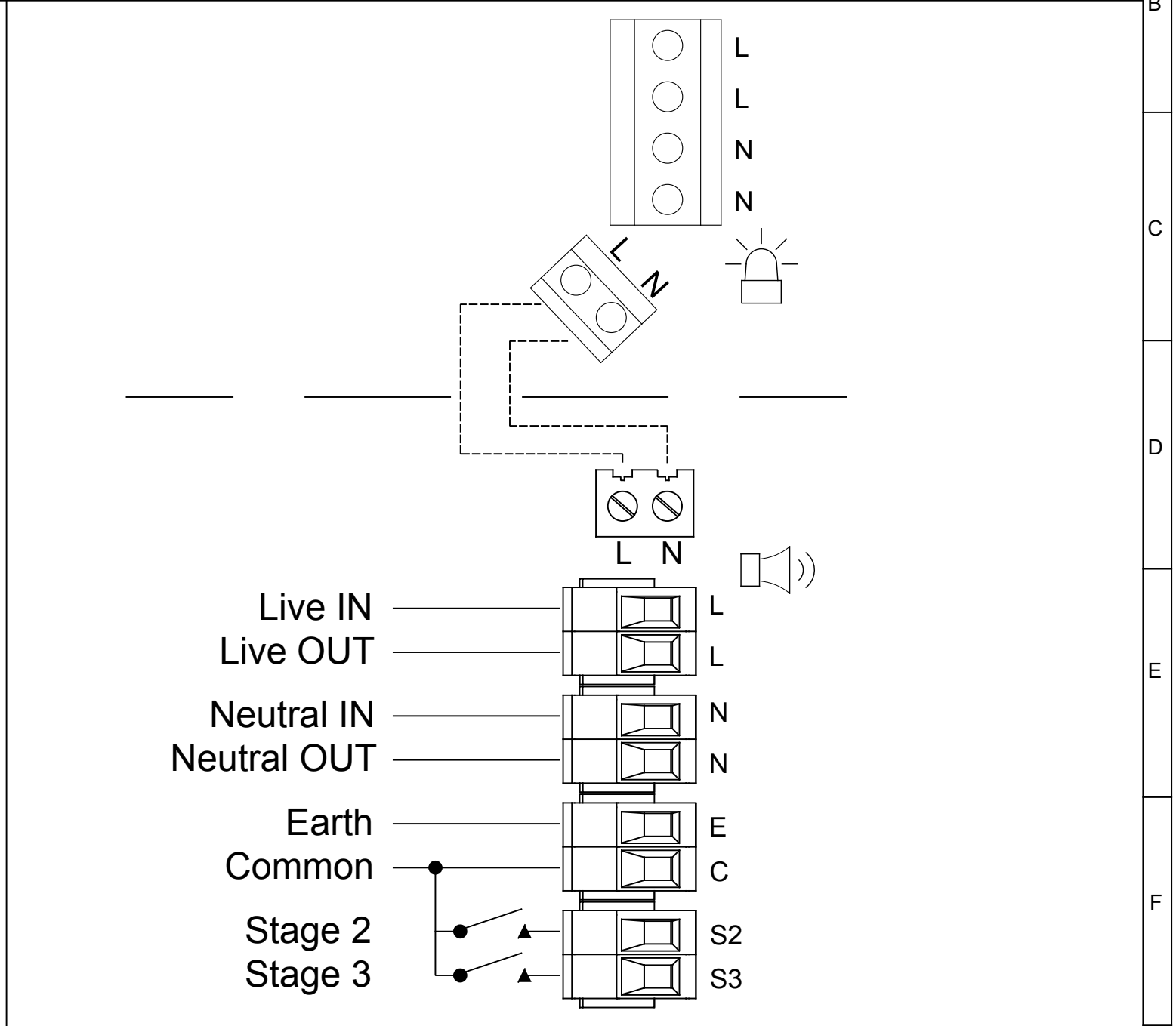
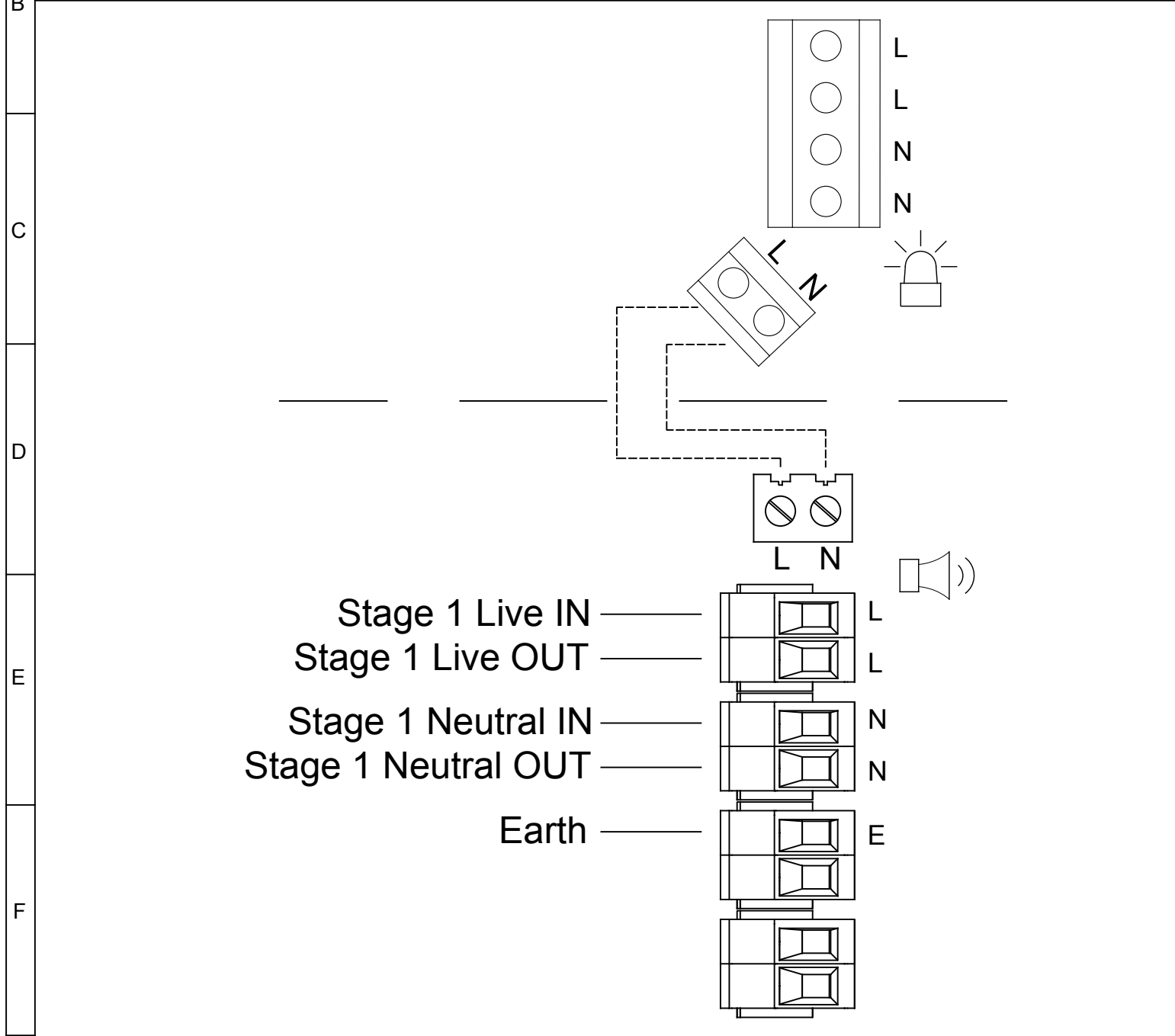


----- WIRING LINKING BEACON & SOUNDER  
FACTORY FITTED

SWITCHES FOR STAGE OPERATION  
CUSTOMER SUPPLIED

Linked Sounder & Beacon Activation (Default)

<b>Single Stage Configuration</b>	Config.: 1a	<b>Three/Four Stage Configuration</b>	Config.: 1b
Stage 1: Apply Power to Stage 1 Live & Stage 1 Neutral		Stage 1: Apply Power to Live & Neutral Stage 2: Apply Power to Live & Neutral & connect Stage 2 to Common Stage 3: Apply Power to Live & Neutral & connect Stage 3 to Common	



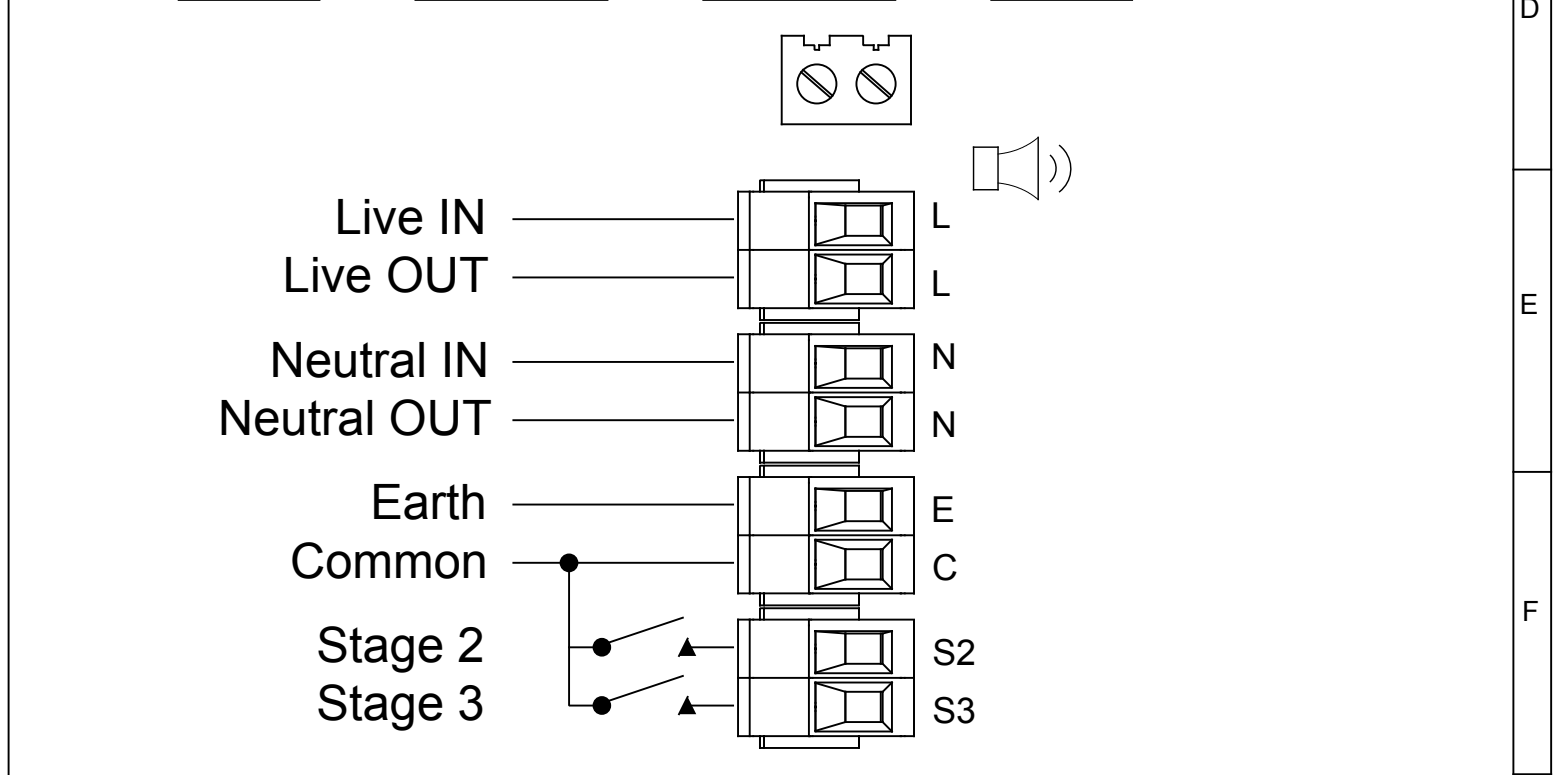
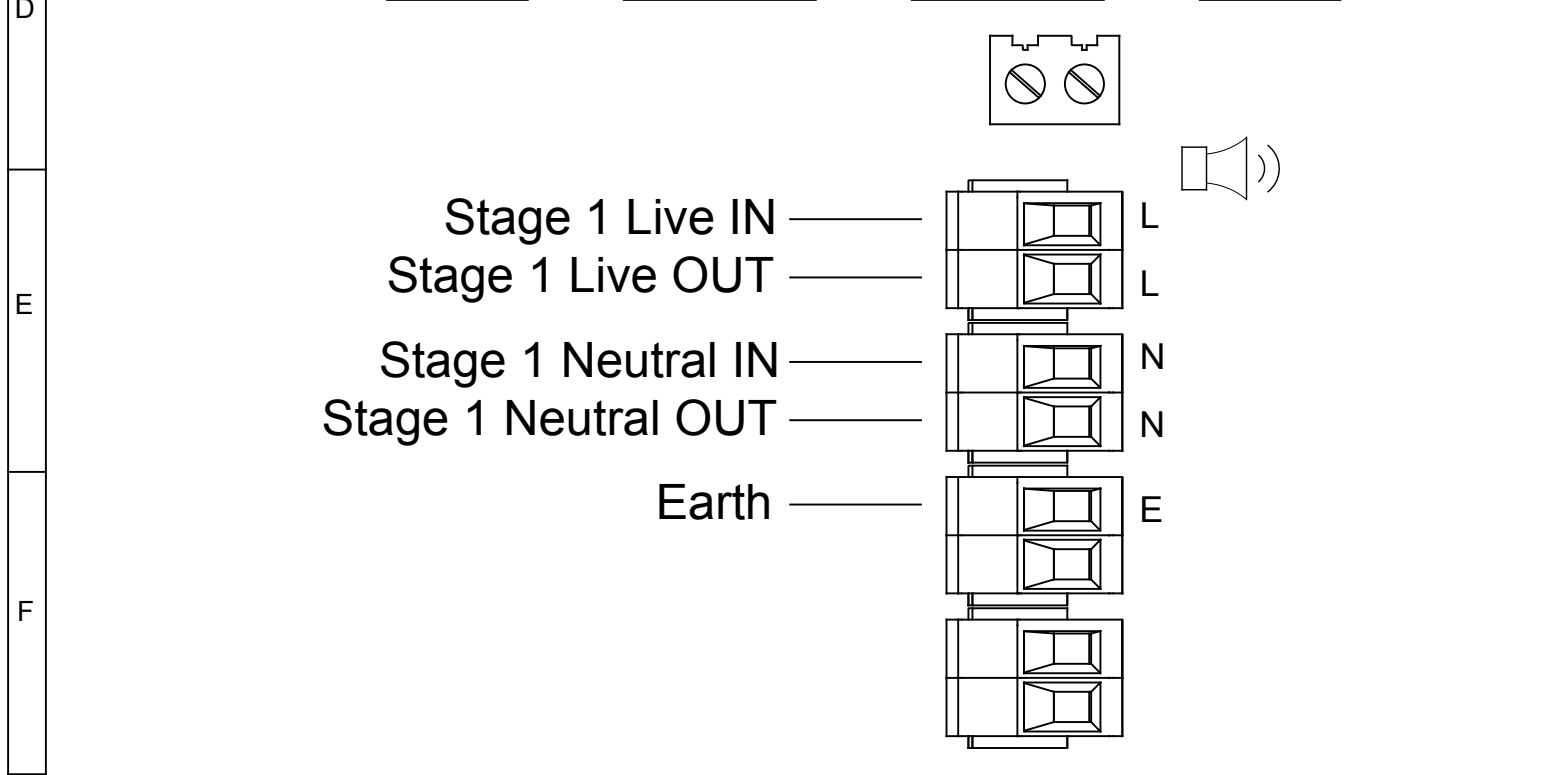
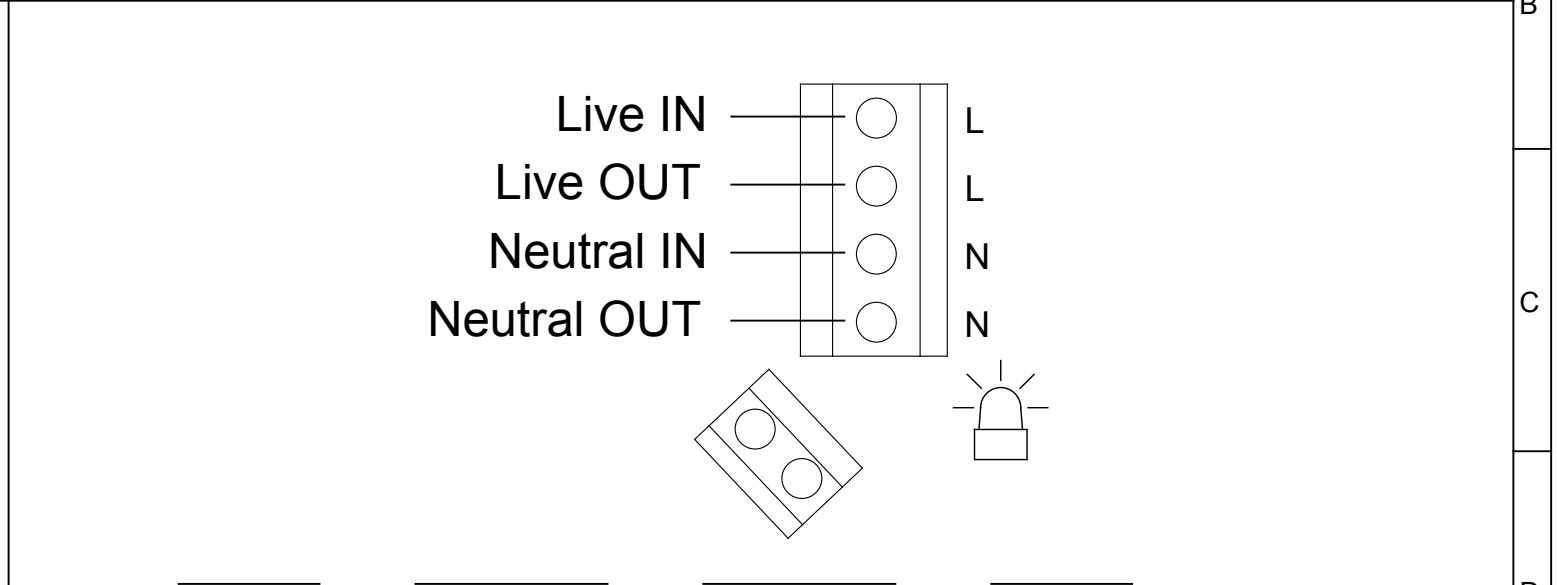
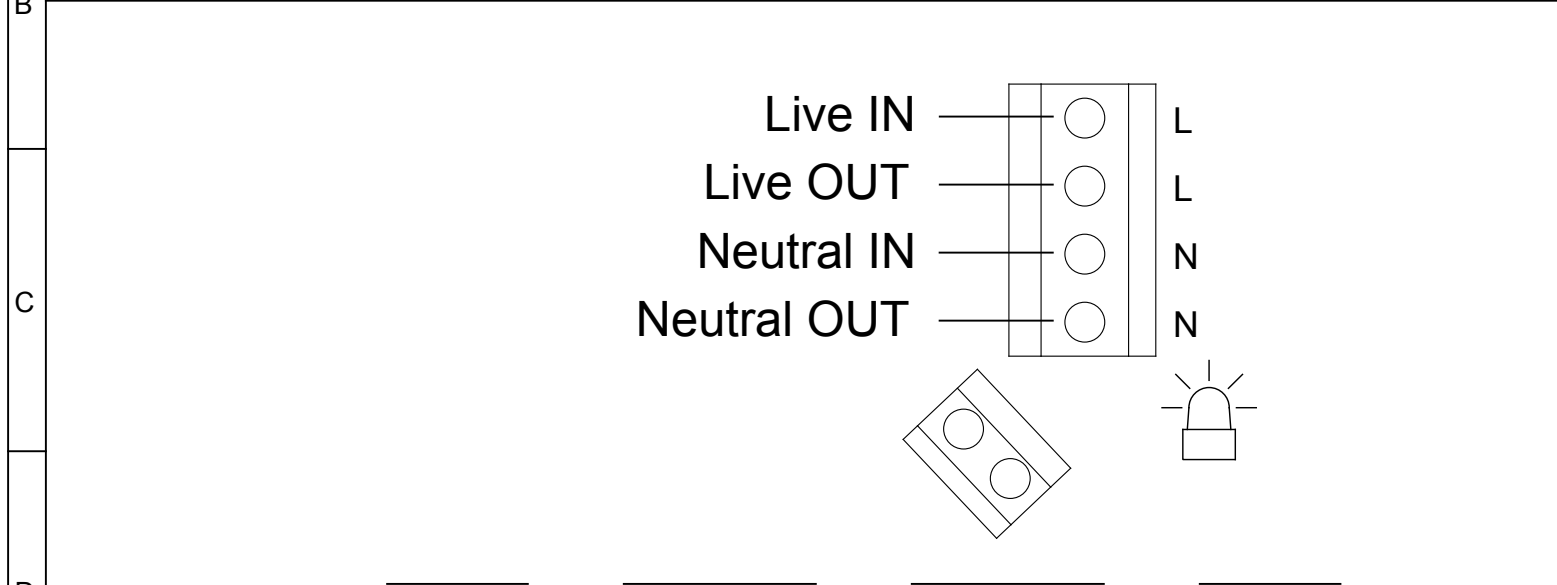
DRAWING TO BS8888:2000 GEOMETRIC TOLERANCES TO ISO1101:1983 LINEAR DIMENSIONAL TOLS ANGULAR DIMENSIONAL TOLS	DRAWN <b>R.S.RAIT</b>	DATE <b>05/03/2021</b>	SURFACE FINISH	WEIGHT (Kg)	THIS DRAWING AND ANY INFORMATION OR DESCRIPTIVE MATTER THEREIN IS COMMUNICATED IN CONFIDENCE AND IS THE COPYRIGHT PROPERTY OF EUROPEAN SAFETY SYSTEMS LTD. NEITHER THE WHOLE OR ANY EXTRACT MAY BE DISCLOSED, LOANED, COPIED OR USED FOR MANUFACTURING OR TENDERING PURPOSES WITHOUT THEIR WRITTEN CONSENT.	 <small>warning signals</small> <b>EUROPEAN SAFETY SYSTEMS LTD</b> <small>IMPRESS HOUSE MANSELL ROAD ACTON LONDON W3 7QH WWW.E2S.COM</small>	ALL DIMENSIONS IN MM IF IN DOUBT, ASK - DO NOT SCALE		<b>A3</b>		
	STANDARDS <b>M RANGE</b>	CHECKED <b>B.ISARD</b>	DATE <b>05/03/2021</b>	MATERIAL			© EUROPEAN SAFETY SYSTEMS LTD. AS PER LATEST DATE OF ISSUE SHOWN ABOVE	TITLE <b>MC1X05 AC COMBINED SOUNDER XENON BEACON WIRING DIAGRAMS</b>	SCALE <b>NTS</b>	SHEET <b>1 OF 2</b>	DRAWING NUMBER <b>D207-06-505</b>
	APPROVED <b>R.N.POTTS</b>	DATE <b>05/03/2021</b>	ALTERNATIVE MATERIAL								

SWITCHES FOR STAGE OPERATION  
 CUSTOMER SUPPLIED

Independent Sounder & Beacon Activation (Remove Link Wires)

**Single Stage Configuration** Config.: 2a  
 Stage 1: Apply Power to Stage 1 Live & Stage 1 Neutral

**Three/Four Stage Configuration** Config.: 2b  
 Stage 1: Apply Power to Live & Neutral  
 Stage 2: Apply Power to Live & Neutral & connect Stage 2 to Common  
 Stage 3: Apply Power to Live & Neutral & connect Stage 3 to Common



DRAWING TO BS8888:2000 GEOMETRIC TOLERANCES TO ISO1101:1983 LINEAR DIMENSIONAL TOLS ANGULAR DIMENSIONAL TOLS	DRAWN <b>R.S.RAIT</b>	DATE <b>05/03/2021</b>	SURFACE FINISH	WEIGHT (Kg)	THIS DRAWING AND ANY INFORMATION OR DESCRIPTIVE MATTER THEREIN IS COMMUNICATED IN CONFIDENCE AND IS THE COPYRIGHT PROPERTY OF EUROPEAN SAFETY SYSTEMS LTD. NEITHER THE WHOLE OR ANY EXTRACT MAY BE DISCLOSED, LOANED, COPIED OR USED FOR MANUFACTURING OR TENDERING PURPOSES WITHOUT THEIR WRITTEN CONSENT.  © EUROPEAN SAFETY SYSTEMS LTD. AS PER LATEST DATE OF ISSUE SHOWN ABOVE	 warning signals EUROPEAN SAFETY SYSTEMS LTD IMPRESS HOUSE MANSSELL ROAD ACTON LONDON W3 7QH WWW.E2S.COM	ALL DIMENSIONS IN MM IF IN DOUBT, ASK - DO NOT SCALE		<b>A3</b>		
	CHECKED <b>B.ISARD</b>	DATE <b>05/03/2021</b>	MATERIAL				<b>TITLE MC1X05 AC COMBINED SOUNDER          XENON BEACON WIRING DIAGRAMS</b>				
	APPROVED <b>R.N.POTTS</b>	DATE <b>05/03/2021</b>	ALTERNATIVE MATERIAL				SCALE <b>NTS</b>	SHEET <b>2 OF 2</b>	DRAWING NUMBER <b>D207-06-505</b>		