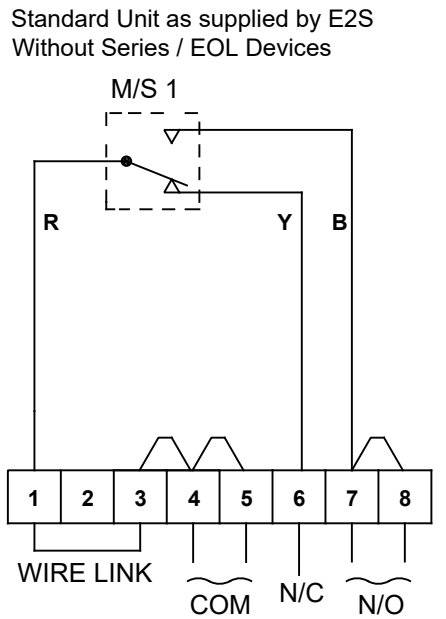
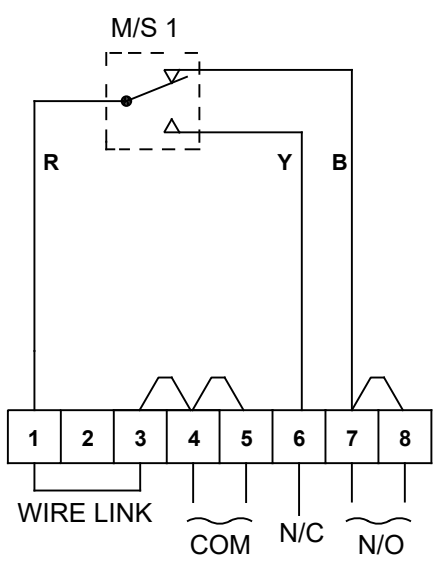


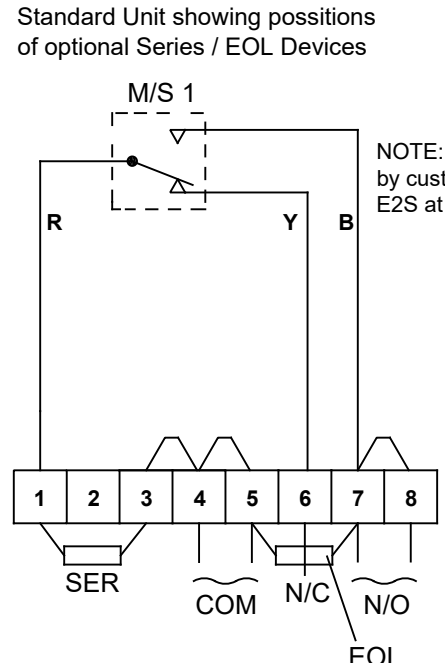
1	2	3	4	5	6	7	8	9	10		
E2S PART NO.	DESCRIPTION	DATA REFERENCE			FOR PERMITTED MIN/MAX VALUES OF EOL & SERIES DEVICES, PLEASE REFER TO INSTRUCTIONS			ISSUE	MOD No.	INITIAL/DATE	
GNEXP7-PB	GNEXP7 Ex d GRP CALL POINT PUSH BUTTON	1.24.180							1		Introduction RSR 06-03-2020
GNEXP7-PM	GNEXP7 Ex d GRP CALL POINT MOMENTARY PUSH BUTTON	1.24.170							2	ACN0076	New Style Wiring diagrams RSR 24-03-2020
GNEXP7-PT	GNEXP7 Ex d GRP CALL POINT PUSH BUTTON TOOL RESET	1.24.160							3		Additional Dual Switch DIN Wiring options added - DH 29-09-2020
GNEXP7 [] [S] [D]		SWITCH TYPE: [S] - Single Microswitch		TERMINAL TYPE [D] - DIN RAIL		4		Text on 1B and 2B Corrected DH 12-04-2021			



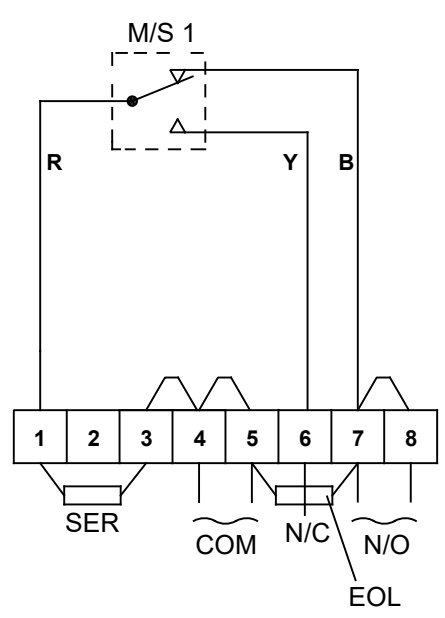
1A - Circuit as shown in Unoperated condition
Terminals (4/5) & (7/8) open
Terminals (4/5) & (6) closed



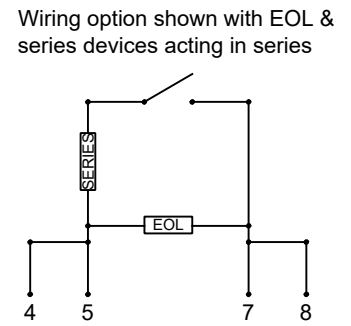
1B - Circuit as shown in Operated condition
Terminals (4/5) & (7/8) closed
Terminals (4/5) & (6) open



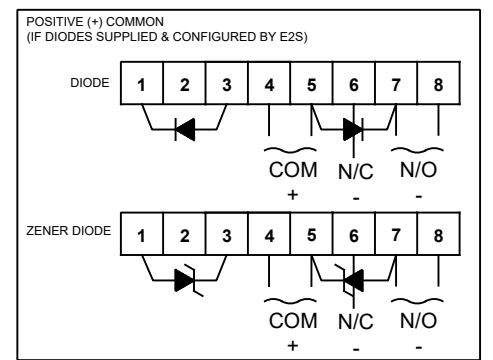
2A - Circuit as shown in Unoperated condition
Terminals (4/5) & (7/8) open
Terminals (4/5) & (6) closed



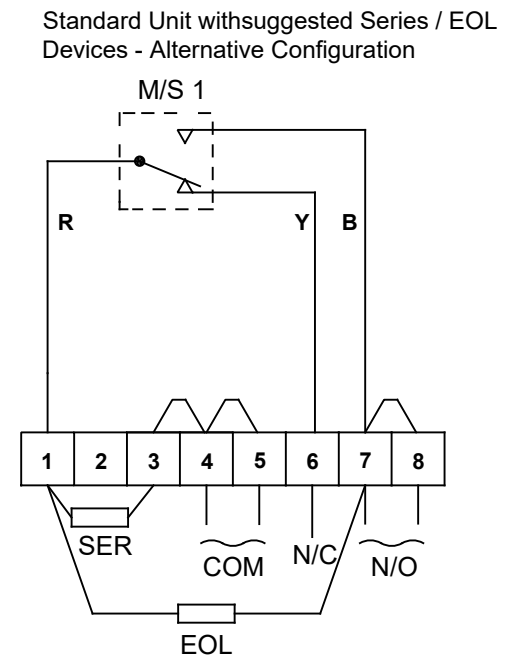
2B - Circuit as shown in Operated condition
Terminals (4/5) & (7/8) closed
Terminals (4/5) & (6) open



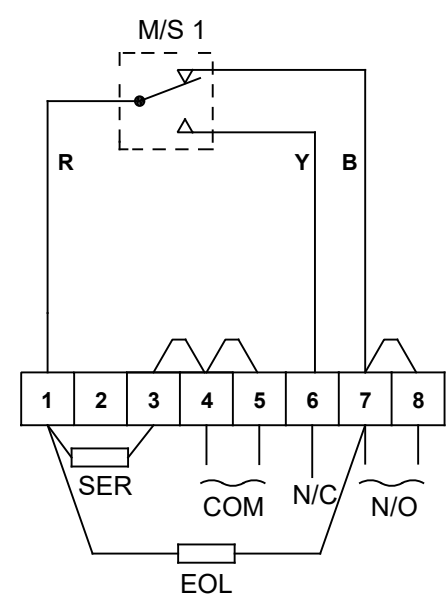
When fitting diodes or zener diodes, polarity across devices must be observed (Resistor polarity is unimportant)



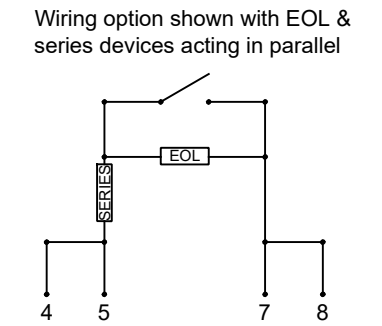
KEY:
COM - Common
N/C - Normally Closed (Contacts closed in unoperated state)
N/O - Normally Open (Contacts open in unoperated state)



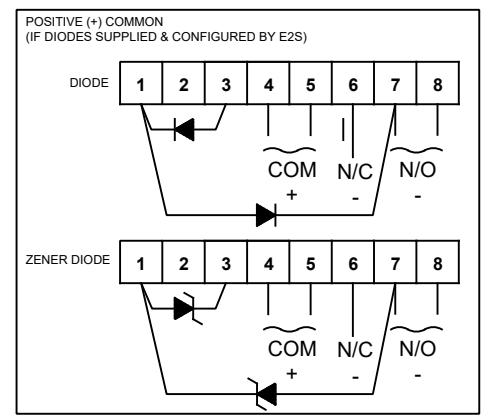
3A - Circuit as shown in Unoperated condition
Terminals (4/5) & (7/8) open
Terminals (4/5) & (6) closed



3B - Circuit as shown in Operated condition
Terminals (4/5) & (7/8) closed
Terminals (4/5) & (6) open



When fitting diodes or zener diodes, polarity across devices must be observed (Resistor polarity is unimportant)



DRAWING TO BS8888:2000
GEOMETRIC TOLERANCES TO ISO1101:1983
LINEAR DIMENSIONAL TOLS +/-0.35mm
ANGULAR DIMENSIONAL TOLS +/-2 deg

DRAWN	R.S.RAIT	DATE	05-03-2020
CHECKED	B.ISARD	DATE	05-03-2020
APPROVED	R.N.POTTS	DATE	05-03-2020

SURFACE FINISH	WEIGHT (Kg)
MATERIAL	
ALTERNATIVE MATERIAL	

THIS DRAWING AND ANY INFORMATION OR DESCRIPTIVE MATTER THEREIN IS COMMUNICATED IN CONFIDENCE AND IS THE COPYRIGHT PROPERTY OF EUROPEAN SAFETY SYSTEMS LTD. NEITHER THE WHOLE OR ANY EXTRACT MAY BE DISCLOSED, LOANED, COPIED OR USED FOR MANUFACTURING OR TENDERING PURPOSES WITHOUT THEIR WRITTEN CONSENT.

© EUROPEAN SAFETY SYSTEMS LTD.
AS PER LATEST DATE OF ISSUE SHOWN ABOVE

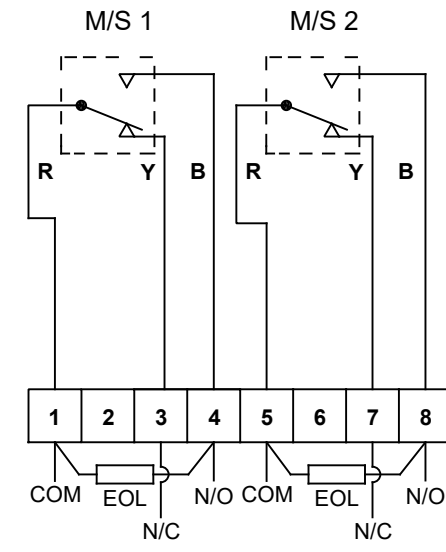
EUROPEAN SAFETY SYSTEMS LTD
IMPRESS HOUSE
MANSELL ROAD
ACTON
LONDON W3 7QH
WWW.E2S.COM

ALL DIMENSIONS IN MM IF IN DOUBT, ASK - DO NOT SCALE				A3
TITLE GNEXP7 CALL POINT WIRING / CIRCUIT OPERATION DIAGRAM				
SCALE NTS	SHEET 1 OF 4	DRAWING NUMBER D202-06-211		

ISSUE	MOD No.	INITIAL/DATE
1		Introduction RSR 06-03-2020
2	ACN0076	New Style Wiring diagrams RSR 24-03-2020
3		Additional Dual Switch DIN Wiring options added - DH 29-09-2020
4		Text on 1B and 2B Corrected DH 12-04-2021

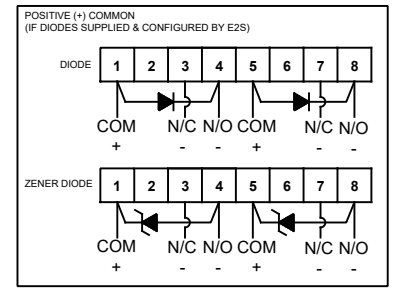
GNECP7 [] [D] [D] SWITCH TYPE: [D] - Double Microswitch TERMINAL TYPE [D] - DIN RAIL

Standard Unit showing positions of optional EOL Devices

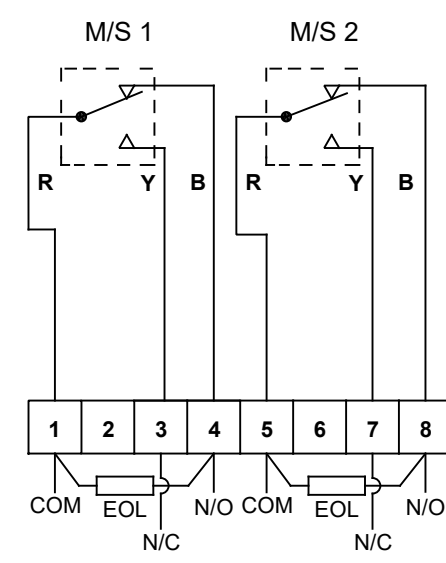


NOTE: These can be fitted either by customer or pre-installed by E2S at point of order.

When fitting diodes or zener diodes, polarity across devices must be observed (Resistor polarity is unimportant)



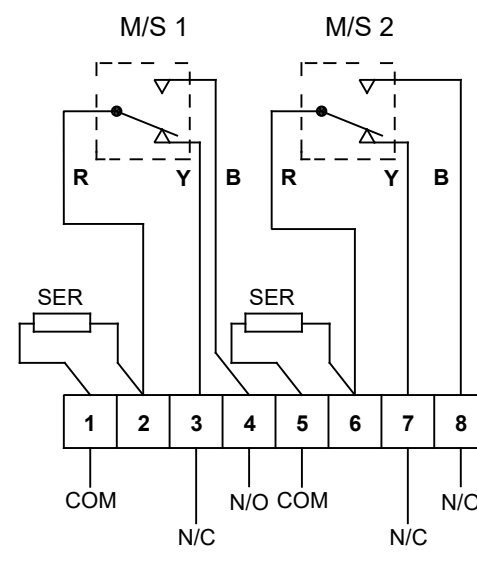
4A - Circuit as shown in Unoperated condition
Terminals (1) & (4) M/S 1 and (5) & (8) M/S 2 open
Terminals (1) & (3) M/S 1 and (5) & (7) M/S 2 closed



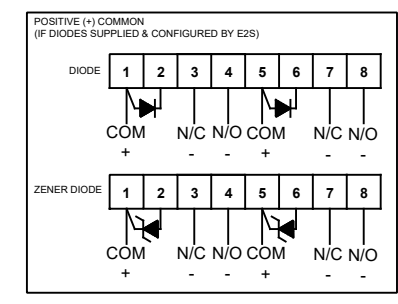
FOR PERMITTED MIN/MAX VALUES OF EOL & SERIES DEVICES, PLEASE REFER TO INSTRUCTIONS

4B - Circuit as shown in Operated condition
Terminals (1) & (4) M/S 1 and (5) & (8) M/S 2 closed
Terminals (1) & (3) M/S 1 and (5) & (7) M/S 2 open

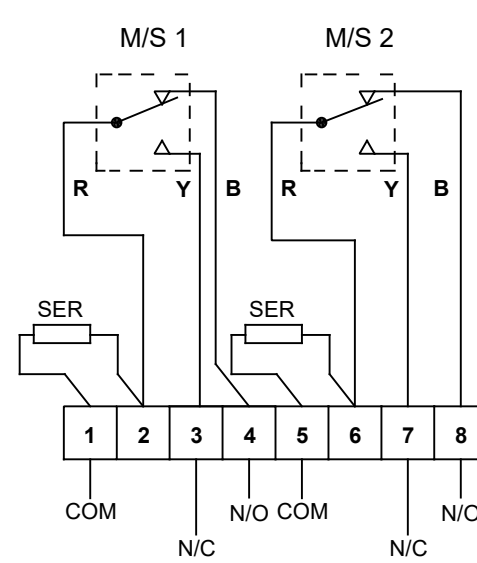
Standard Unit showing positions of optional Series Devices



When fitting diodes or zener diodes, polarity across devices must be observed (Resistor polarity is unimportant)

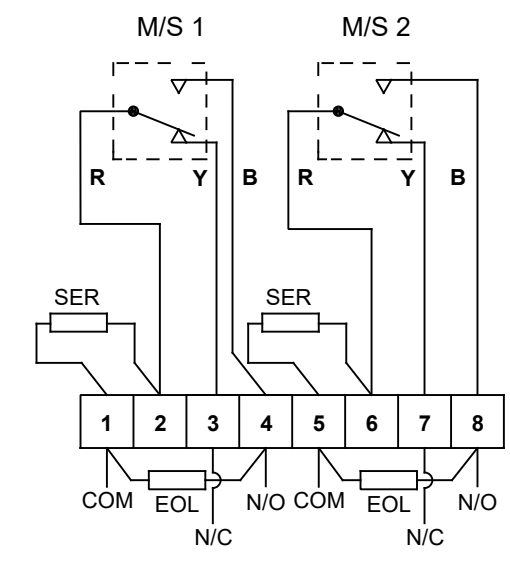


4A - Circuit as shown in Unoperated condition
Terminals (1) & (4) M/S 1 and (5) & (8) M/S 2 open
Terminals (1) & (3) M/S 1 and (5) & (7) M/S 2 closed

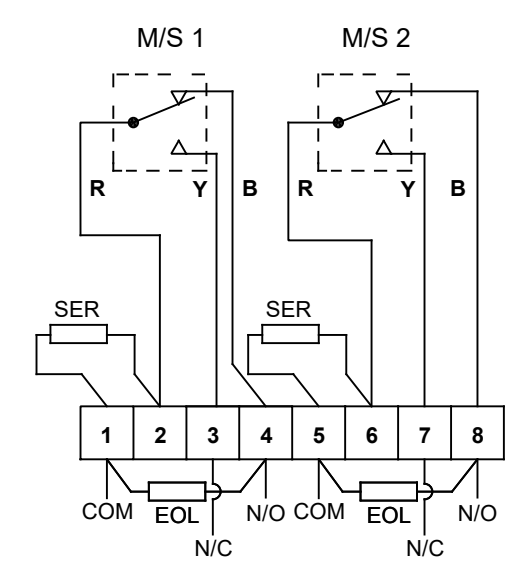


4B - Circuit as shown in Operated condition
Terminals (1) & (4) M/S 1 and (5) & (8) M/S 2 closed
Terminals (1) & (3) M/S 1 and (5) & (7) M/S 2 open

Standard Unit showing positions of optional Series and EOL Devices



4A - Circuit as shown in Unoperated condition
Terminals (1) & (4) M/S 1 and (5) & (8) M/S 2 open
Terminals (1) & (3) M/S 1 and (5) & (7) M/S 2 closed



4B - Circuit as shown in Operated condition
Terminals (1) & (4) M/S 1 and (5) & (8) M/S 2 closed
Terminals (1) & (3) M/S 1 and (5) & (7) M/S 2 open

DRAWING TO BS8888:2000
GEOMETRIC TOLERANCES TO ISO1101:1983
LINEAR DIMENSIONAL TOLS +/-0.35mm
ANGULAR DIMENSIONAL TOLS +/-2 deg

DRAWN	DATE
R.S.RAIT	05-03-2020
CHECKED	DATE
B.ISARD	05-03-2020
APPROVED	DATE
R.N.POTTS	05-03-2020

SURFACE FINISH	WEIGHT (Kg)
MATERIAL	
ALTERNATIVE MATERIAL	

THIS DRAWING AND ANY INFORMATION OR DESCRIPTIVE MATTER THEREIN IS COMMUNICATED IN CONFIDENCE AND IS THE COPYRIGHT PROPERTY OF EUROPEAN SAFETY SYSTEMS LTD. NEITHER THE WHOLE OR ANY EXTRACT MAY BE DISCLOSED, LOANED, COPIED OR USED FOR MANUFACTURING OR TENDERING PURPOSES WITHOUT THEIR WRITTEN CONSENT.

© EUROPEAN SAFETY SYSTEMS LTD.
AS PER LATEST DATE OF ISSUE SHOWN ABOVE

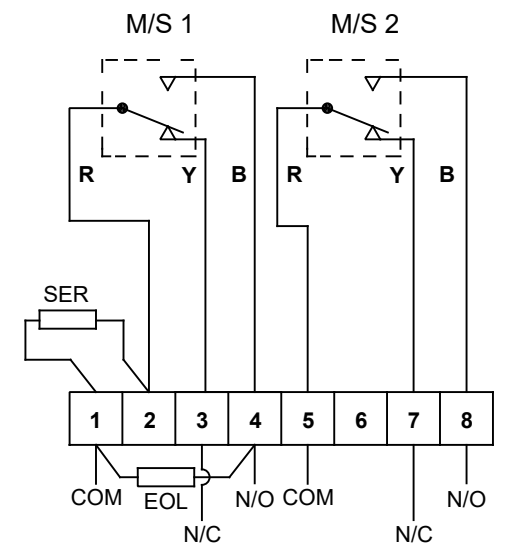
EUROPEAN SAFETY SYSTEMS LTD
IMPRESS HOUSE
MANSELL ROAD
ACTON
LONDON W3 7QH
WWW.E2S.COM

ALL DIMENSIONS IN MM IF IN DOUBT, ASK - DO NOT SCALE			A3
TITLE GNECP7 CALL POINT WIRING / CIRCUIT OPERATION DIAGRAM			
SCALE NTS	SHEET 2 OF 4	DRAWING NUMBER D202-06-211	

ISSUE	MOD No.	INITIAL/DATE
1		Introduction RSR 06-03-2020
2	ACN0076	New Style Wiring diagrams RSR 24-03-2020
3		Additional Dual Switch DIN Wiring options added - DH 29-09-2020
4		Text on 1B and 2B Corrected DH 12-04-2021

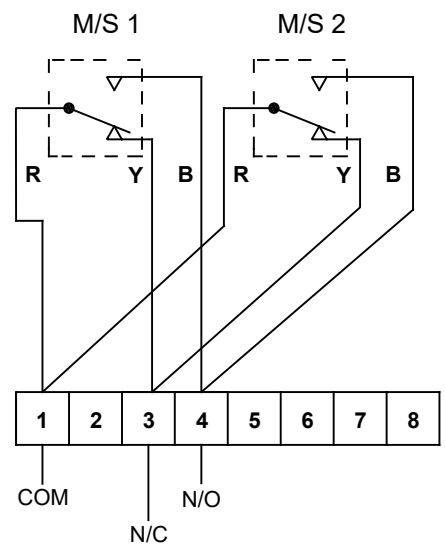
GNExCP7 [] [D] [D] ...[W1] SWITCH TYPE: [D] - Double Microswitch TERMINAL TYPE [D] - DIN RAIL VERSION [W1] - Special Wiring

Special Wiring
Option A - Series & EOL on M/S 1



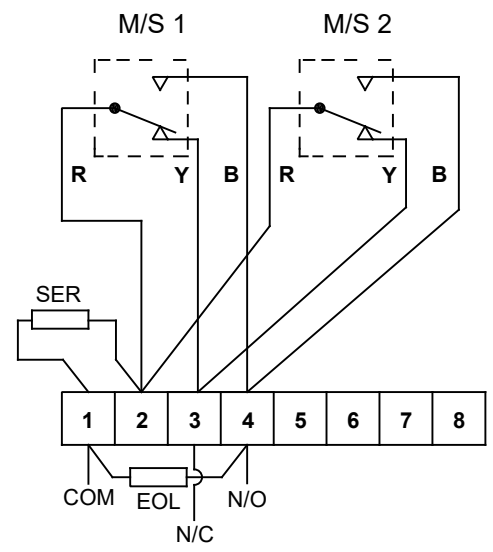
4A - Circuit as shown in Unoperated condition
Terminals (1) & (4) M/S 1 and (5) & (8) M/S 2 open
Terminals (1) & (3) M/S 1 and (5) & (7) M/S 2 closed

Special Wiring
Option B - M/S 1 and M/S 2 connected



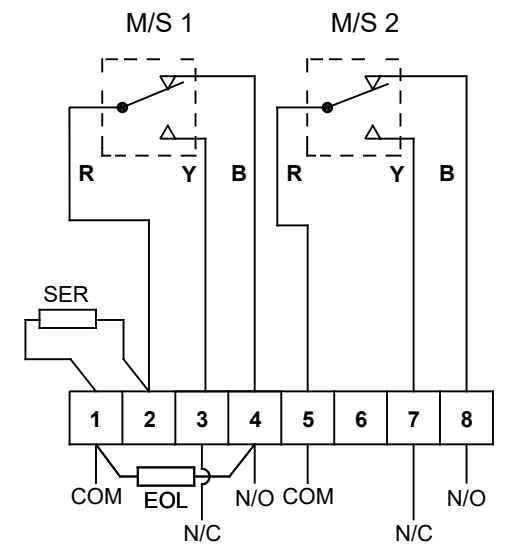
4A - Circuit as shown in Unoperated condition
Terminals (1) & (4) M/S 1 and M/S 2 open
Terminals (1) & (3) M/S 1 and M/S 2 closed

Special Wiring
Option C - Series & EOL with M/S 1 and M/S 2 connected

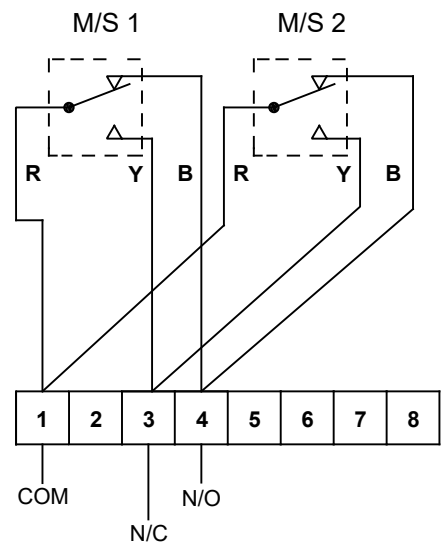


4A - Circuit as shown in Unoperated condition
Terminals (1) & (4) M/S 1 and M/S 2 open
Terminals (1) & (3) M/S 1 and M/S 2 closed

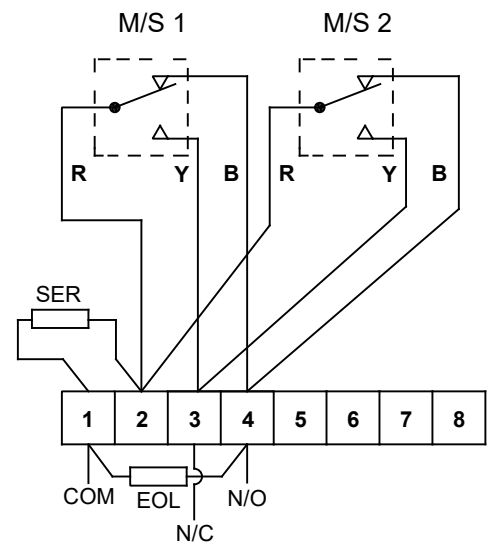
Other wiring configurations are available pre-configured
Contact E2S sales for special wiring requests



4B - Circuit as shown in Operated condition
Terminals (1) & (4) M/S 1 and (5) & (8) M/S 2 closed
Terminals (1) & (3) M/S 1 and (5) & (7) M/S 2 open



4B - Circuit as shown in Operated condition
Terminals (1) & (4) M/S 1 and M/S 2 closed
Terminals (1) & (3) M/S 1 and M/S 2 open



4B - Circuit as shown in Operated condition
Terminals (1) & (4) M/S 1 and M/S 2 closed
Terminals (1) & (3) M/S 1 and M/S 2 open

DRAWING TO BS8888:2000
GEOMETRIC TOLERANCES TO ISO1101:1983
LINEAR DIMENSIONAL TOLS +/-0.35mm
ANGULAR DIMENSIONAL TOLS +/-2 deg

DRAWN	DATE
R.S.RAIT	05-03-2020
CHECKED	DATE
B.ISARD	05-03-2020
APPROVED	DATE
R.N.POTTS	05-03-2020

SURFACE FINISH	WEIGHT (Kg)
MATERIAL	
ALTERNATIVE MATERIAL	

THIS DRAWING AND ANY INFORMATION OR DESCRIPTIVE MATTER THEREIN IS COMMUNICATED IN CONFIDENCE AND IS THE COPYRIGHT PROPERTY OF EUROPEAN SAFETY SYSTEMS LTD. NEITHER THE WHOLE OR ANY EXTRACT MAY BE DISCLOSED, LOANED, COPIED OR USED FOR MANUFACTURING OR TENDERING PURPOSES WITHOUT THEIR WRITTEN CONSENT.

© EUROPEAN SAFETY SYSTEMS LTD.
AS PER LATEST DATE OF ISSUE SHOWN ABOVE

EUROPEAN SAFETY SYSTEMS LTD
IMPRESS HOUSE
MANSELL ROAD
ACTON
LONDON W3 7QH
WWW.E2S.COM

ALL DIMENSIONS IN MM IF IN DOUBT, ASK - DO NOT SCALE				A3
TITLE GNExCP7 CALL POINT WIRING / CIRCUIT OPERATION DIAGRAM				
SCALE NTS	SHEET 3 OF 4	DRAWING NUMBER D202-06-211		

GNEXP7 [] [S] [P]
GNEXP7 [] [D] [P]

SWITCH TYPE: [S] - Single Microswitch
SWITCH TYPE: [D] - Double Microswitch

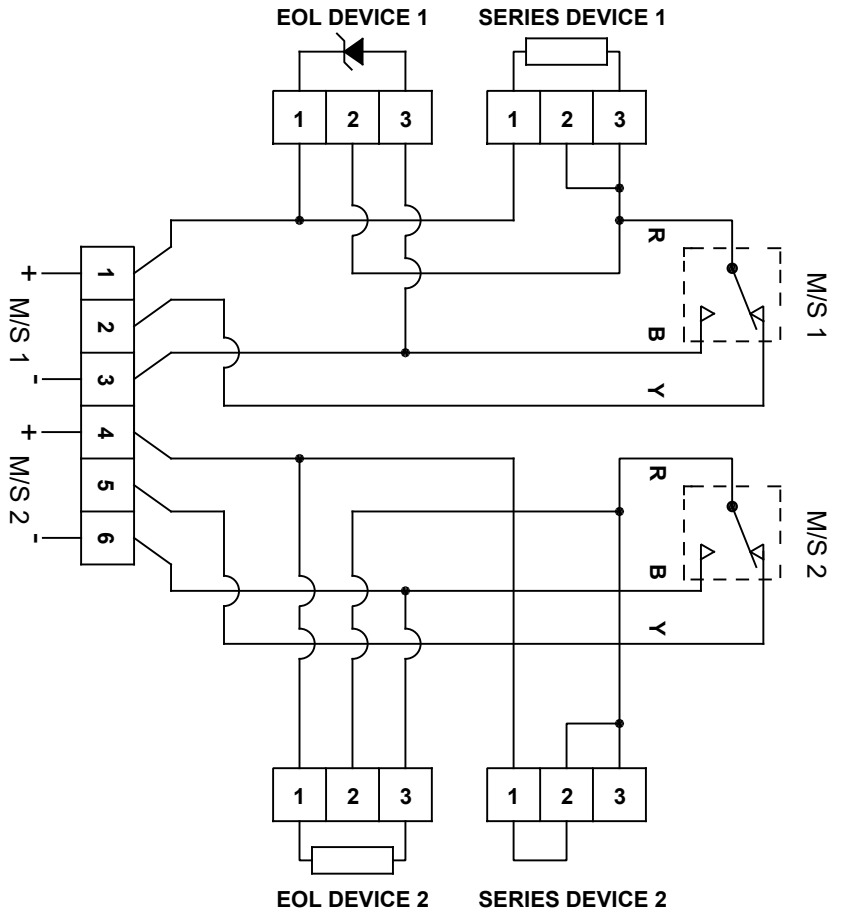
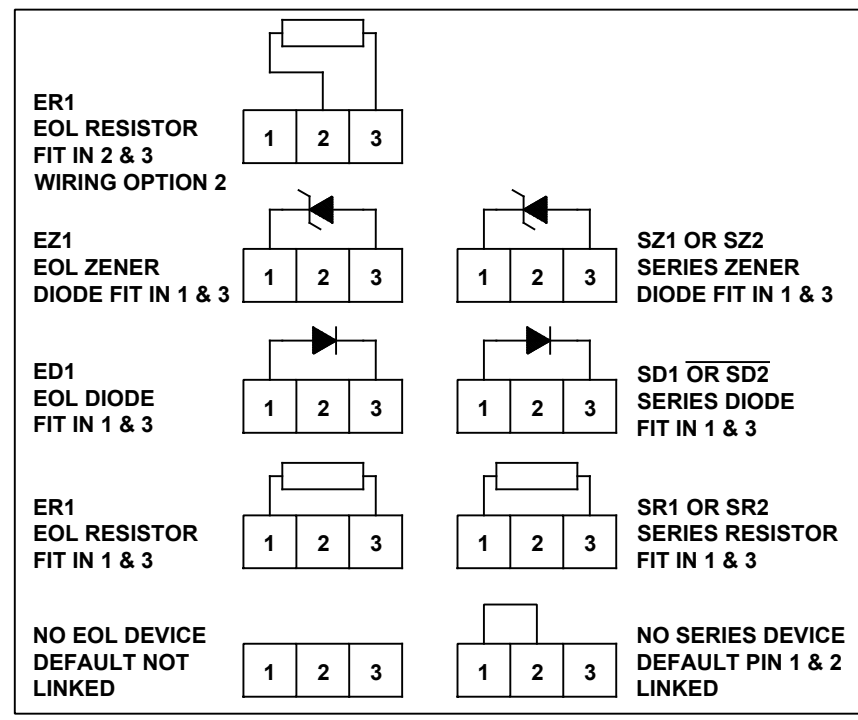
TERMINAL TYPE [P] - PCB
TERMINAL TYPE [P] - PCB

FOR PERMITTED MIN/MAX
VALUES OF EOL & SERIES
DEVICES, PLEASE REFER TO
INSTRUCTIONS

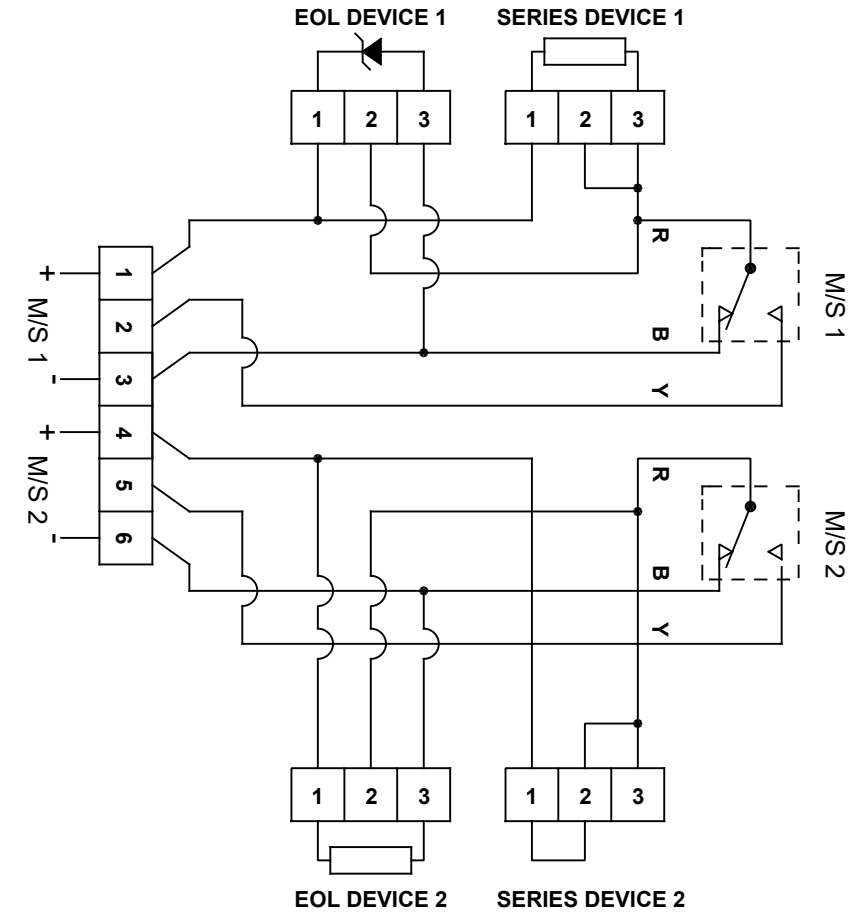
Optional Single or Double Microswitch

Circuit shown with Double Microswitch, Unit un-operated : GNEXP7 PCB Version

Devices selected only as example:
On M/S 1: Series resistor and EOL Zener diode
On M/S 2: EOL resistor with no series device



5A - Circuit as shown in Unoperated condition
Terminals +(1) & -(3) M/S 1 and +(4) & -(6) M/S 2 open
Terminals +(1) & (2) M/S 1 and +(4) & (5) M/S 2 closed



5B - Circuit as shown in Operated condition
Terminals +(1) & (2) M/S 1 and +(4) & (5) M/S 2 open
Terminals +(1) & -(3) M/S 1 and +(4) & -(6) M/S 2 closed

ISSUE	MOD No.	INITIAL/DATE
1		Introduction RSR 06-03-2020
2	ACN0076	New Style Wiring diagrams RSR 24-03-2020
3		Additional Dual Switch DIN Wiring options added - DH 29-09-2020
4		Text on 1B and 2B Corrected DH 12-04-2021

DRAWING TO BS8888:2000
GEOMETRIC TOLERANCES TO ISO1101:1983
LINEAR DIMENSIONAL TOLS +/-0.35mm
ANGULAR DIMENSIONAL TOLS +/-2 deg

DRAWN	DATE
R.S.RAIT	05-03-2020
CHECKED	DATE
B.ISARD	05-03-2020
APPROVED	DATE
R.N.POTTS	05-03-2020

SURFACE FINISH	WEIGHT (Kg)
MATERIAL	
ALTERNATIVE MATERIAL	

THIS DRAWING AND ANY INFORMATION OR DESCRIPTIVE
MATTER THEREIN IS COMMUNICATED IN CONFIDENCE AND IS
THE COPYRIGHT PROPERTY OF EUROPEAN SAFETY SYSTEMS
LTD. NEITHER THE WHOLE OR ANY EXTRACT MAY BE
DISCLOSED, LOANED, COPIED OR USED FOR MANUFACTURING
OR TENDERING PURPOSES WITHOUT THEIR WRITTEN
CONSENT.

© EUROPEAN SAFETY SYSTEMS LTD.
AS PER LATEST DATE OF ISSUE SHOWN ABOVE

EUROPEAN SAFETY SYSTEMS LTD
IMPRESS HOUSE
MANSELL ROAD
ACTON
LONDON W3 7QH
WWW.E2S.COM

ALL DIMENSIONS IN MM IF IN DOUBT, ASK - DO NOT SCALE			A3
TITLE GNEXP7 CALL POINT WIRING / CIRCUIT OPERATION DIAGRAM			
SCALE NTS	SHEET 4 OF 4	DRAWING NUMBER D202-06-211	