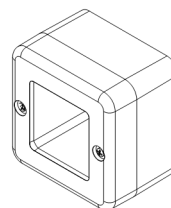


INSTRUCTION & SERVICE MANUAL

L101X Range - Xenon Strobe Beacon

High Powered Xenon Tube Beacon
 5J Xenon Flash Tube
 Three modes : Flashing 1 Hz,
 Flashing 1.5Hz (DC units Only),
 Double Strike (DC Units Only)
 IP Rating: Type 4 / 4X / 3R / 13, IP66
 Temp: -25°C to +55°C
 Unit weight: 200g
 CE & UL Approved
 VdS/CPR Approval for EN54-23 (24/48Vdc Application Only)

Dimensions : 86.0 x 86.0mm
 0.5-4.0mm² terminals
 AWG22-AWG12
 Cable entry: M20 cable entry (IP66)
 Dependent on Back Box selected

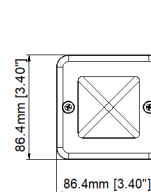


L101X

Backbox Type See D185-05-001

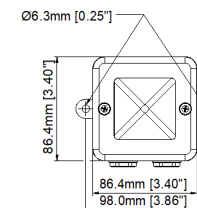
Standard L101
 Backbox

[B]



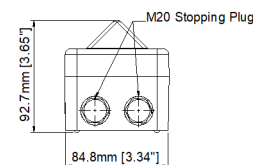
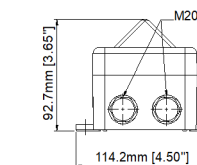
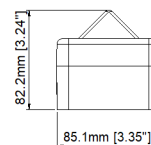
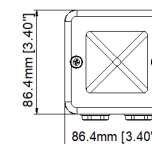
Multi-purpose
 Backbox

[M]



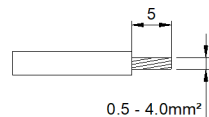
Sonora
 Backbox

[S]

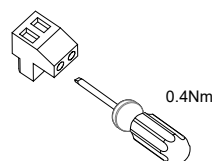


Model No.	Nominal Voltage	Voltage Range	Nominal Current	Max Current
L101XDC012[Z]...[X]/[Y]	12V dc/ac	11.5-14V dc/ac	500mA/380mA	531mA @14Vdc / 341mA @14Vac
L101XDC024[Z]...[X]/[Y]	24V dc/ac	20-28V dc/ac	250mA/300mA	271mA @20Vdc / 426mA @28Vac
L101XDC048[Z]...[X]/[Y]	48V dc	42-54V dc	175mA	160mA @42Vdc
L101XAC048[Z]...[X]/[Y]	48V ac	42-54V ac	250mA	360mA @52.8Vac
L101XAC115[Z]...[X]/[Y]	115V ac	115V ac +-10% 50/60Hz	70mA	101mA @126.5Vac
L101XAC230[Z]...[X]/[Y]	230V ac	230V ac +-10% 50/60Hz	35mA	58mA @253Vac

[Z] Denotes Backbox Type: B = Standard L101; S = Sonora; M = Multi-purpose (with Lugs)
 [X] Denotes Housing Colour: R = Red; G = Grey; W = White
 [Y] Denotes Lens Colour*: R = Red; G = Green; A = Amber; B = Blue; C = Clear; M = Magenta
 *Only Red & Clear Lens VdS/CPR Approved.



Use suitable conduit or cable glands with suitable IP or type rating

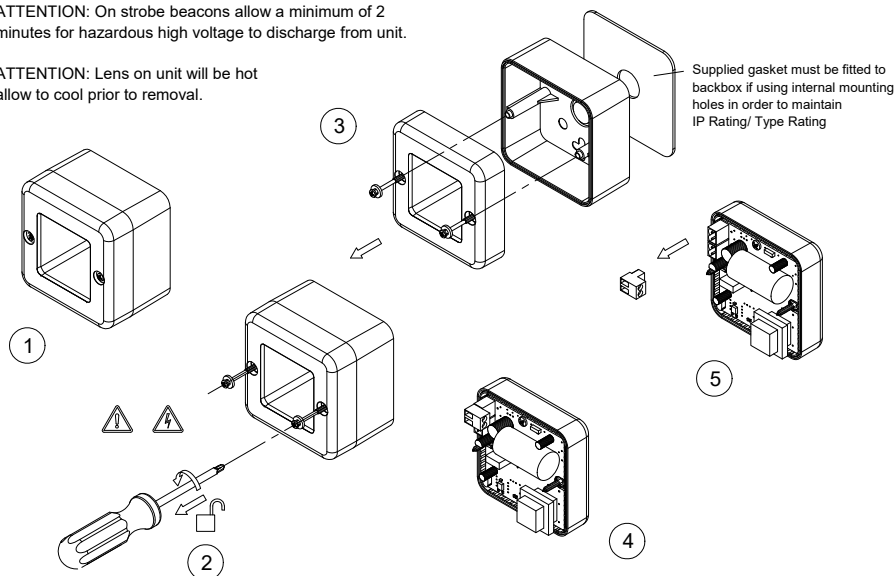


Terminal Connections

Access to Enclosure

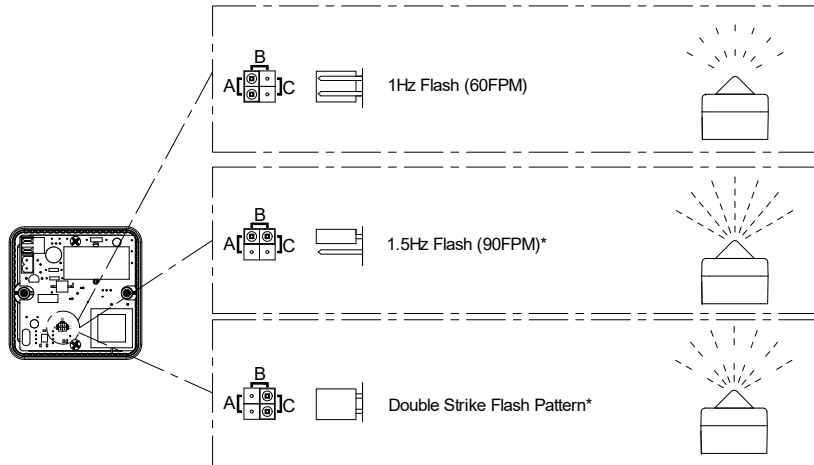
⚠ ATTENTION: On strobe beacons allow a minimum of 2 minutes for hazardous high voltage to discharge from unit.

⚠ ATTENTION: Lens on unit will be hot allow to cool prior to removal.



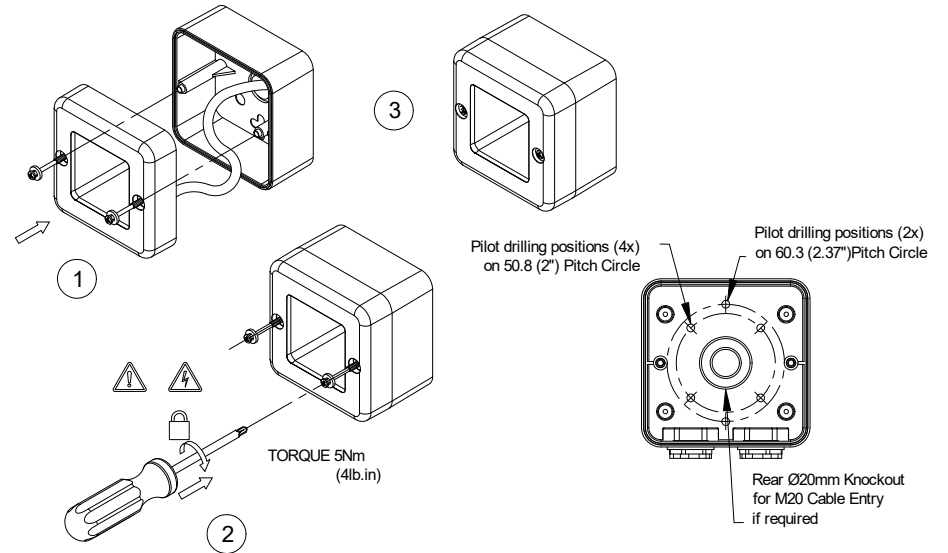
⚠ Attention: Installation must be carried out by an electrician in compliance with the latest codes and regulations.
 Attention: L'installation doit être effectuée par un électricien conformément aux derniers codes et réglementations.
 Achtung: Die Installation muss von einem Elektriker gemäß den neuesten Vorschriften und Bestimmungen durchgeführt werden.
 Attenzione: L'installazione deve essere eseguita da un elettricista in conformità con i codici e le normative più recenti.
 Atención: La instalación debe ser realizada por un electricista de acuerdo con los últimos códigos y regulaciones.
 Atenção: A instalação deve ser realizada por um electricista de acordo com os códigos e regulamentos mais recentes.
 Внимание: установка должна выполняться электриком в соответствии с последними нормами и правилами.
 Attention: Disconnect from power source before installation or service to prevent electric shock
 Attention: Débranchez-le de la source d'alimentation avant l'installation ou l'entretien pour éviter tout choc électrique.
 Achtung: Vor Installation oder Wartung von der Stromquelle trennen, um einen Stromschlag zu vermeiden.
 Attenzione: scollegare dall'alimentazione prima dell'installazione o dell'assistenza per evitare scosse elettriche.
 Atención: desconéctelo de la fuente de alimentación antes de la instalación o el servicio para evitar descargas eléctricas.
 Atenção: Desconecte da fonte de alimentação antes da instalação ou serviço para evitar choque elétrico
 Внимание: отключите от источника питания перед установкой или обслуживанием, чтобы предотвратить поражение электрическим током.

Header Pin Settings for Flashing modes

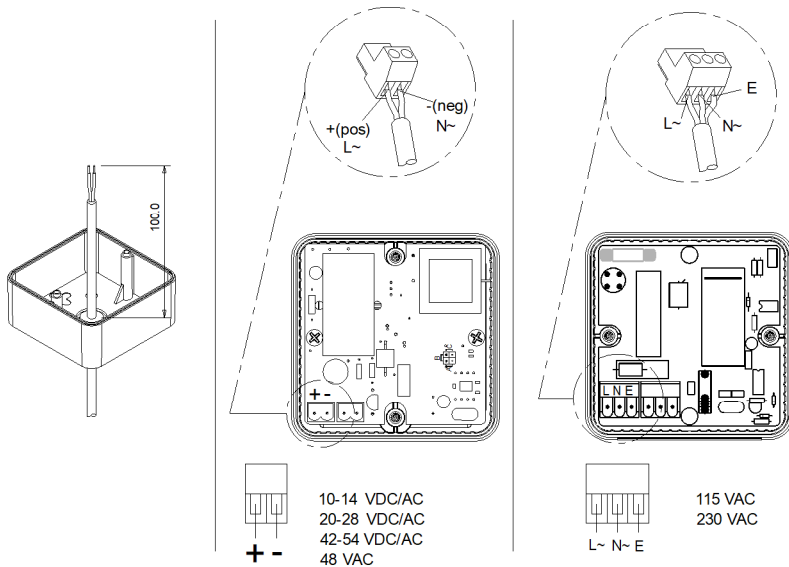


*Flashing 1.5Hz and Double Strike modes are not available on the following units: L101XDC012[b][x][y] when used with an AC supply; L101XAC048[b][x][y]; L101XAC115[b][x][y] & L101XAC230[b][x][y].

Re-assembly



Wiring See D185-06-001



Coverage Area According to EN54-23

Unit	Category C	Category W	Category O	Power
L101XDC024[z][x]/C	C-9.6.8 V=326.9m ²	W-2.4.4.8 V=55.3m ²	O-4.8-10 V=230.4m ²	6W
L101XDC024[z][x]/R	C-3.2.6 V=15.9m ²	N/A	O-1.9-3.6 V=13.0m ²	6W
L101XDC048[z][x]/C	C-9.7 V=346.4m ²	W-2.5.5 V=62.5m ²	O-5-10 V=250.0m ²	8.4W
L101XDC048[z][x]/R	C-3.3 V=21.2m ²	N/A	O-2.4 V=16.0m ²	8.4W

