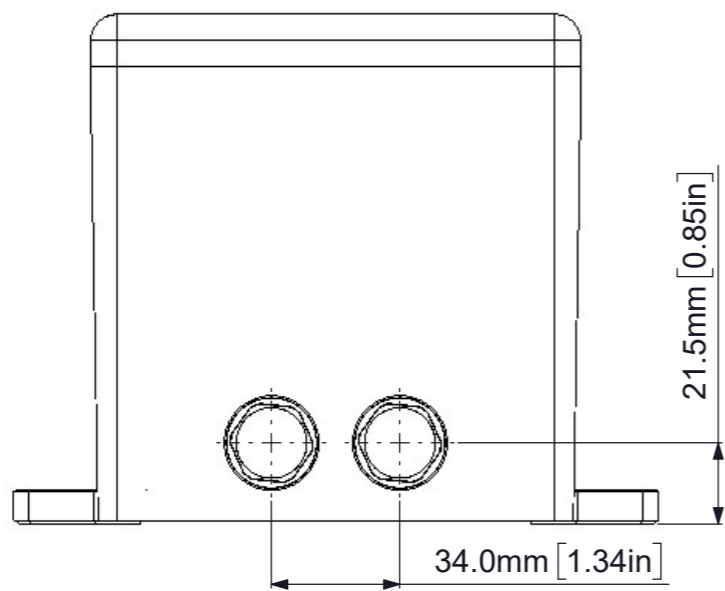
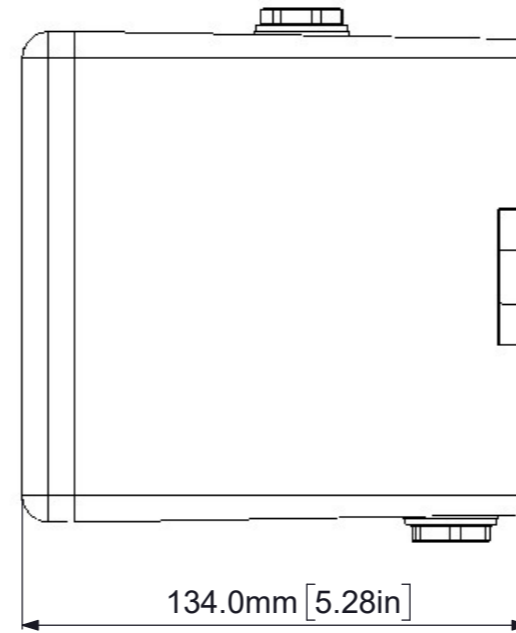
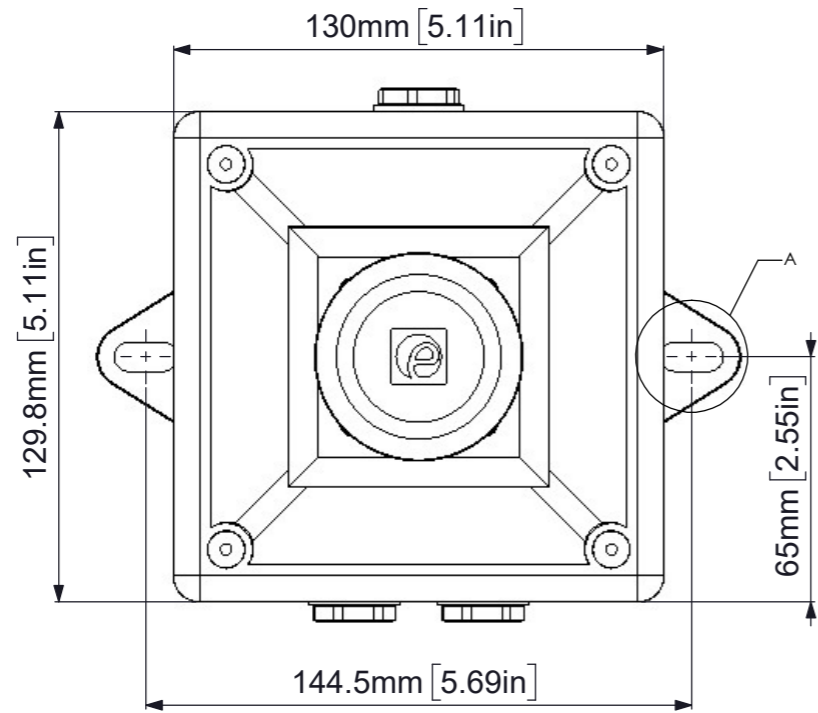
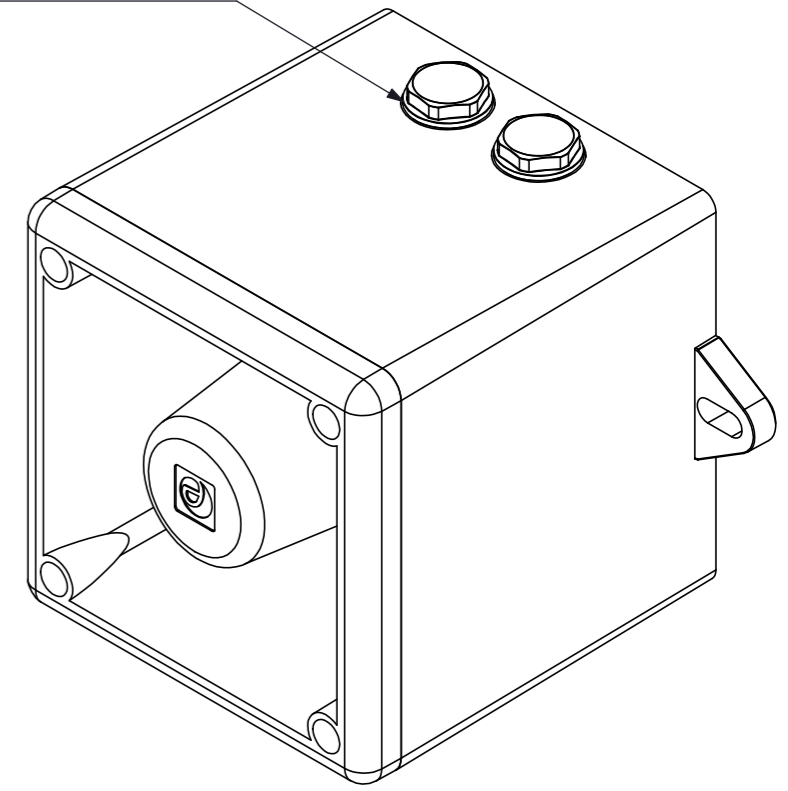


M20 X 1.5mm ENTRIES
2-OFF



| E2S PART NO. | DESCRIPTION | DATA REFERENCE |
|--------------|---------------|----------------|
| A105N... | A105N SOUNDER | 2.21.060 |

| | | | | | | | | | |
|---|----------|------|----------------------|-------------|---|---|--|-----------------|-------------------------------|
| DRAWING TO BS8888:2000 GEOMETRIC TOLERANCES TO ISO1101:1983 LINEAR DIMENSIONAL TOOLS ANGULAR DIMENSIONAL TOOLS | DRAWN | DATE | SURFACE FINISH | WEIGHT (kg) | THIS DRAWING AND ANY INFORMATION OR DESCRIPTIVE MATTER THEREIN IS COMMUNICATED IN CONFIDENCE AND IS THE COPYRIGHT PROPERTY OF EUROPEAN SAFETY SYSTEMS LTD. NEITHER THE WHOLE OR ANY EXTRACT MAY BE DISCLOSED, LOANED, COPIED OR USED FOR MANUFACTURING OR TENDERING PURPOSES WITHOUT THEIR WRITTEN CONSENT. | EUROPEAN SAFETY SYSTEMS LTD IMPRESS HOUSE MANSELL ROAD ACTON LONDON W3 7QH WWW.E2S.COM | ALL DIMENSIONS IN MM IF IN DOUBT, ASK - DO NOT SCALE | A1 | |
| | CHECKED | DATE | MATERIAL | | | | | | |
| STANDARDS ALERTALARM | APPROVED | DATE | ALTERNATIVE MATERIAL | | EUROPEAN SAFETY SYSTEMS LTD. AS PER LATEST DATE OF ISSUE SHOWN ABOVE | TITLE A105N SOUNDER | SCALE 1:1 | SHEET 1 OF 1 | DRAWING NUMBER D218-05-051 |
| | | | | | | | | | |