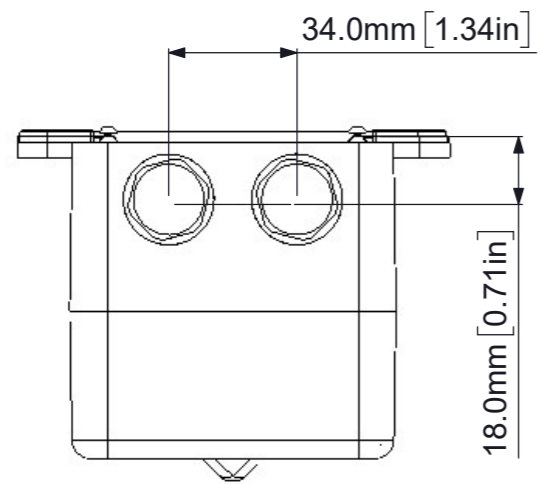
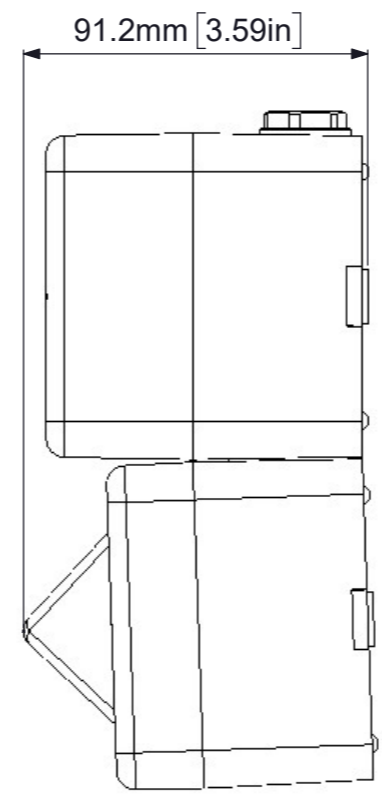
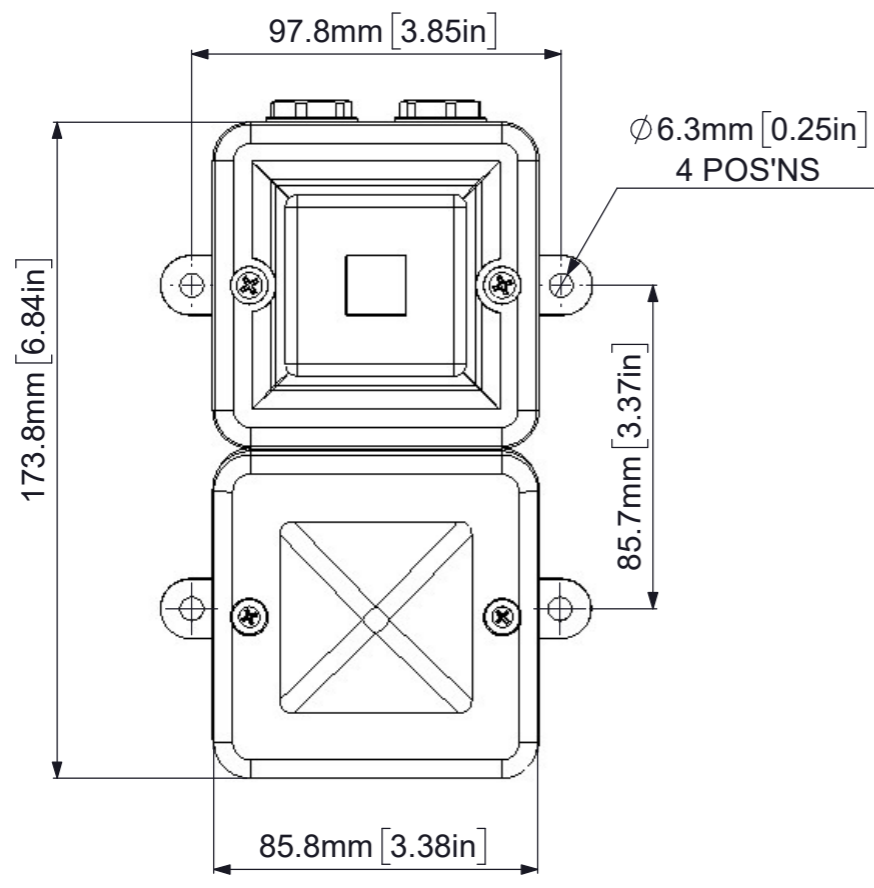
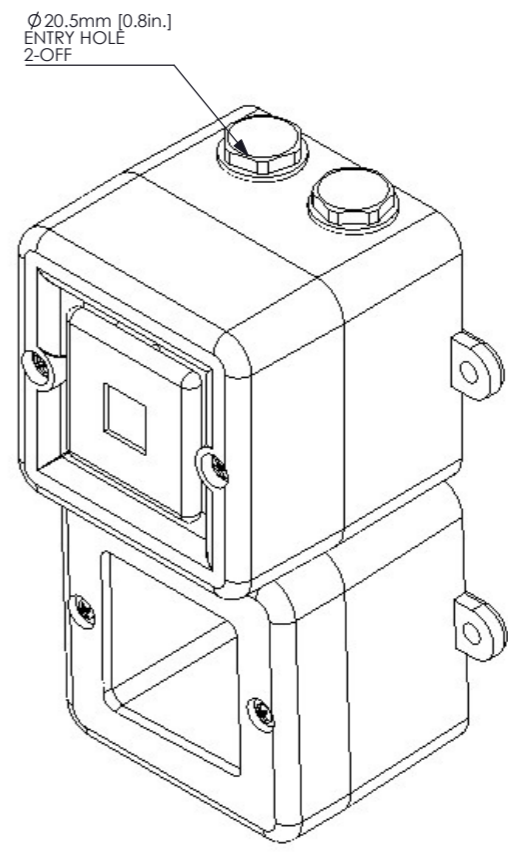
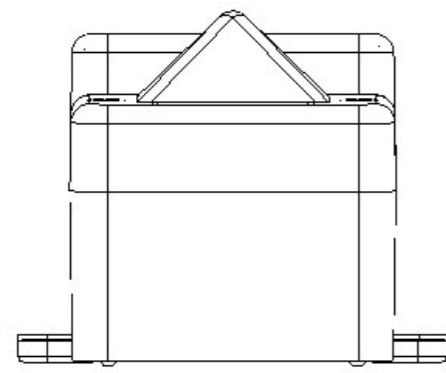


ISSUE	MOD No.	REASON - INITIAL - DATE
1		INTRODUCTION - RSR - 16/03/2021



E2S PART NO.	DESCRIPTION	DATA REFERENCE
AL100X...	AL100X COMBINED SOUNDER XENON	2.31.090
AL100H...	AL100H COMBINED SOUNDER LED	2.31.100

DRAWING TO BS8888:2000 GEOMETRIC TOLERANCES TO ISO1101:1983 LINEAR DIMENSIONAL TOLS ANGULAR DIMENSIONAL TOLS	DRAWN	R.S. RAIT	DATE	16/03/2021	SURFACE FINISH	WEIGHT (kg)	THIS DRAWING AND ANY INFORMATION OR DESCRIPTIVE MATTER THEREIN IS COMMUNICATED IN CONFIDENCE AND IS THE COPYRIGHT PROPERTY OF EUROPEAN SAFETY SYSTEMS LTD. NEITHER THE WHOLE OR ANY EXTRACT MAY BE DISCLOSED, LOANED, COPIED OR USED FOR MANUFACTURING OR TENDERING PURPOSES WITHOUT THEIR WRITTEN CONSENT.	 EUROPEAN SAFETY SYSTEMS LTD IMPRESS HOUSE MANSELL ROAD ACTON LONDON W3 7QH WWW.E2S.COM	ALL DIMENSIONS IN MM IF IN DOUBT, ASK - DO NOT SCALE	 A1
	CHECKED	B. ISARD	DATE	16/03/2021						
STANDARDS ALERTALARM	APPROVED	R.N. POTTS	DATE	16/03/2021	ALTERNATIVE MATERIAL	EUROPEAN SAFETY SYSTEMS LTD. AS PER LATEST DATE OF ISSUE SHOWN ABOVE	TITLE AL100 COMBINED SOUNDER BEACON	SCALE 1:1	SHEET 1 OF 1	DRAWING NUMBER D218-05-201