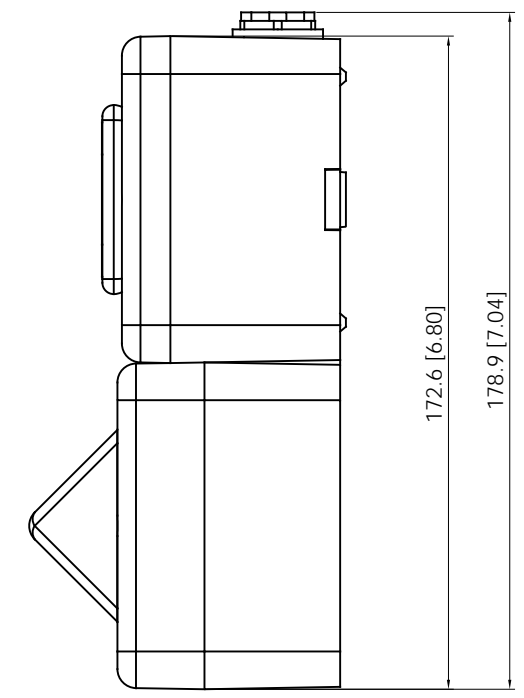
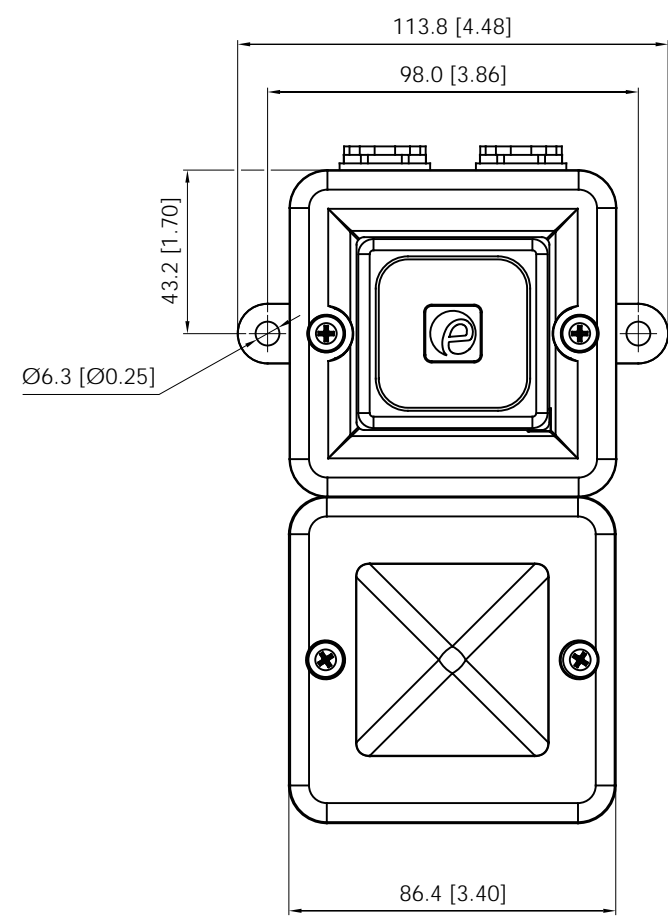
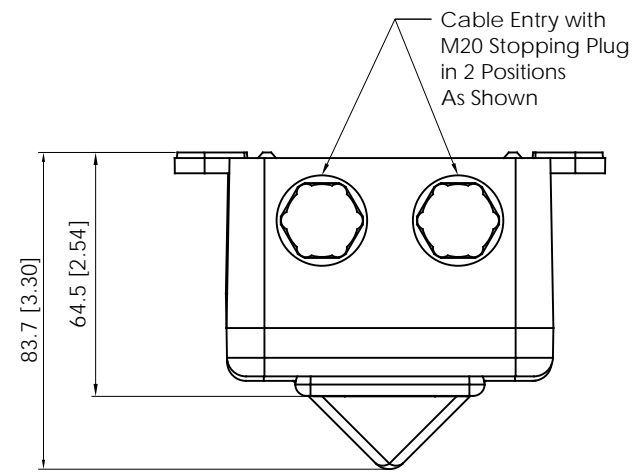


ISSUE	MOD No.	REASON - INITIAL - DATE
A		INTRODUCTION DAH - 09-03-21



E2S PART NO.	DESCRIPTION	DATA REFERENCE
SONFL1H...	SONFL1H ALARM SOUNDER & L.E.D BEACON	2.31.060
SONFL1H-HO...	SONFL1H-H HIGH OUTPUT ALARM SOUNDER & L.E.D BEACON	2.31.080
SONFL1X...	SONFL1X ALARM SOUNDER & XENON BEACON	2.31.050
SONFL1X-HO...	SONFL1X-H HIGH OUTPUT ALARM SOUNDER & XENON BEACON	2.31.070

DIMENSIONS IN MM [INCHES]

DRAWING TO BS8888:2000 GEOMETRIC TOLERANCES TO ISO1101:1983 LINEAR DIMENSIONAL TOLS ANGULAR DIMENSIONAL TOLS	DRAWN	DATE	SURFACE FINISH FINISH	WEIGHT (kg)	THIS DRAWING AND ANY INFORMATION OR DESCRIPTIVE MATTER THEREIN IS COMMUNICATED IN CONFIDENCE AND IS THE COPYRIGHT PROPERTY OF EUROPEAN SAFETY SYSTEMS LTD. NEITHER THE WHOLE OR ANY EXTRACT MAY BE DISCLOSED, LOANED, COPIED OR USED FOR MANUFACTURING OR TENDERING PURPOSES WITHOUT THEIR WRITTEN CONSENT.	 EUROPEAN SAFETY SYSTEMS LTD IMPRESS HOUSE MANSELL ROAD ACTON LONDON W3 7QH WWW.E2S.COM	ALL DIMENSIONS IN MM IF IN DOUBT, ASK - DO NOT SCALE	 A1
	CHECKED	DATE						
STANDARDS	APPROVED	DATE	ALTERNATIVE MATERIAL	TITLE SONFL1H / SONFL1X OUTLINE DRAWING SCALE 1:1 SHEET 1 OF 1 DRAWING NUMBER D242-05-501				
SONFL1	R.N.POTTS	09-03-21	R.N.POTTS					