

— — WIRING LINKING BEACON & SOUNDER  
FACTORY FITTED

SWITCHES FOR STAGE OPERATION  
CUSTOMER SUPPLIED

Linked Sounder & Beacon Activation (Default)

Single Stage Configuration Config.: 1a

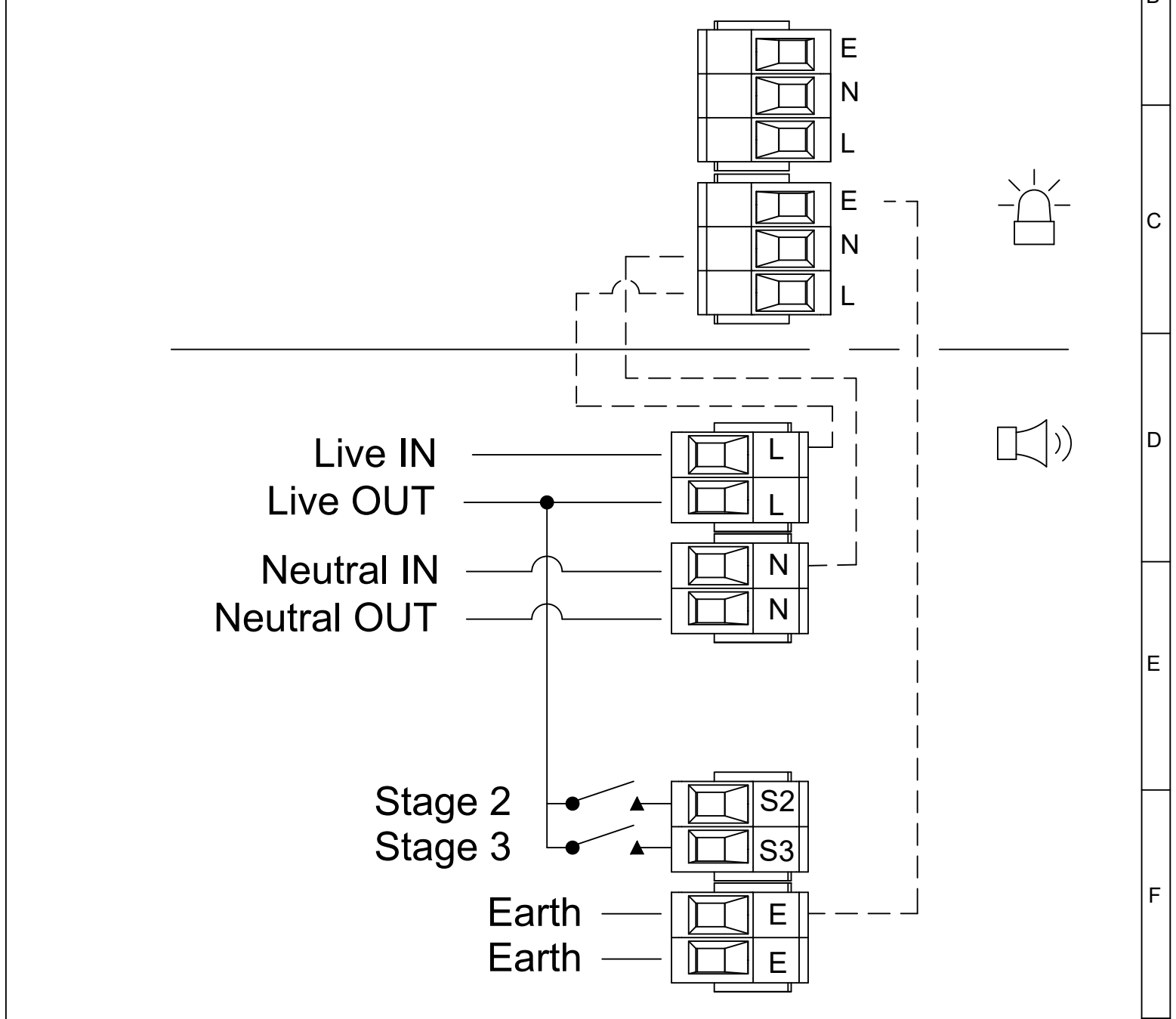
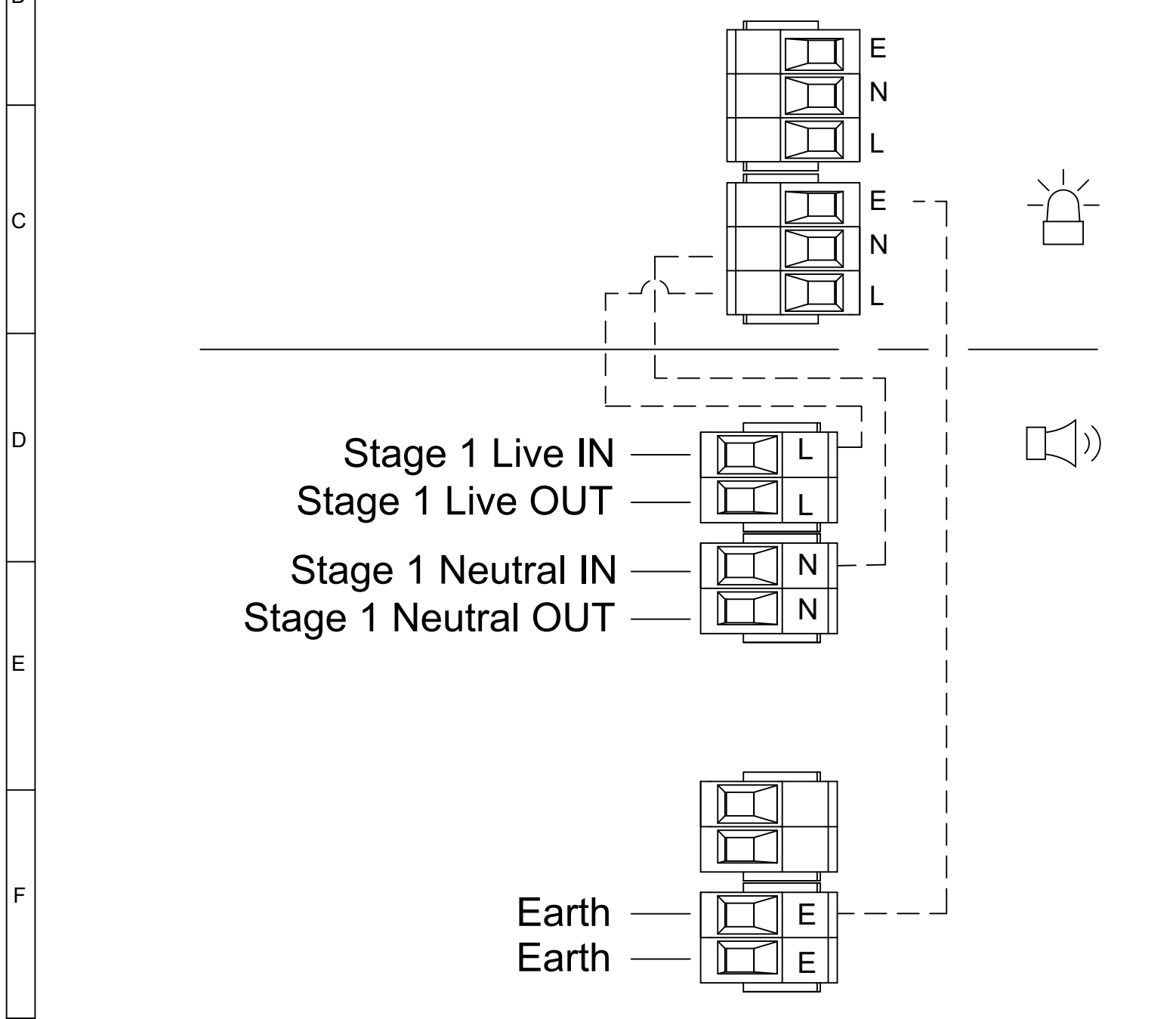
Three/Four Stage Configuration Config.: 1b

Stage 1: Apply Power to Stage 1 Live & Stage 1 Neutral

Stage 1: Apply Power to Live & Neutral

Stage 2: Apply Power to Live & Neutral & connect Stage 2 to Live

Stage 3: Apply Power to Live & Neutral & connect Stage 3 to Live



DRAWING TO BS8888:2000  
GEOMETRIC TOLERANCES TO ISO1101:1983  
LINEAR DIMENSIONAL TOLS  
ANGULAR DIMENSIONAL TOLS

STANDARDS  
ALERTALARM RANGE

DRAWN	DATE	
R.S.RAIT	16/03/2021	
CHECKED	DATE	
B.ISARD	16/03/2021	
APPROVED	DATE	
R.N.POTTS	16/03/2021	

SURFACE FINISH	WEIGHT (Kg)	
MATERIAL		
ALTERNATIVE MATERIAL		

THIS DRAWING AND ANY INFORMATION OR DESCRIPTIVE MATTER THEREIN IS COMMUNICATED IN CONFIDENCE AND IS THE COPYRIGHT PROPERTY OF EUROPEAN SAFETY SYSTEMS LTD. NEITHER THE WHOLE OR ANY EXTRACT MAY BE DISCLOSED, LOANED, COPIED OR USED FOR MANUFACTURING OR TENDERING PURPOSES WITHOUT THEIR WRITTEN CONSENT.

© EUROPEAN SAFETY SYSTEMS LTD. AS PER LATEST DATE OF ISSUE SHOWN ABOVE

e2S

warning signals

EUROPEAN SAFETY SYSTEMS LTD  
IMPRESS HOUSE  
MANSELL ROAD  
ACTON  
LONDON W3 7QH  
WWW.E2S.COM

ALL DIMENSIONS IN MM  
IF IN DOUBT, ASK -  
DO NOT SCALE

A3

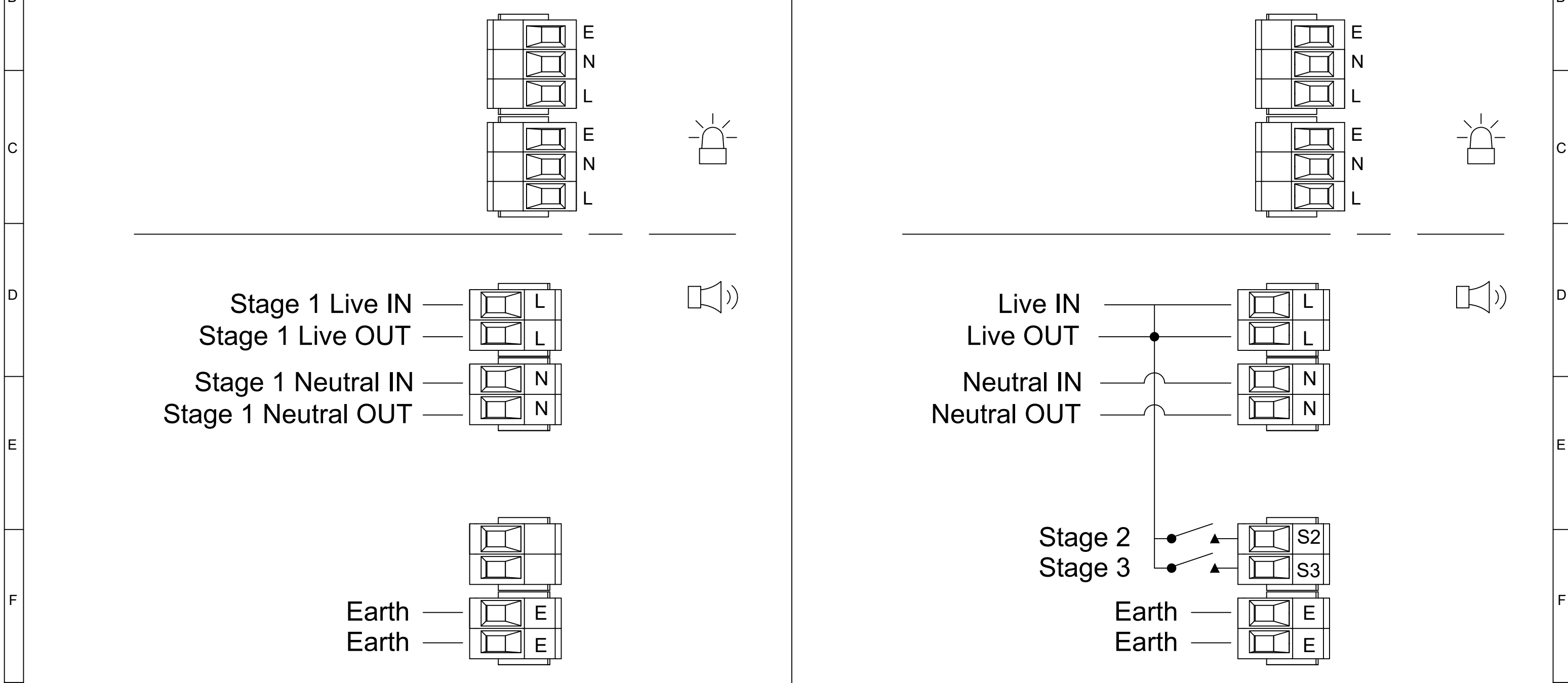
TITLE AL100X, AL105NX & DL105X COMBINED  
SOUNDER & XENON WIRING DIAGRAMS

SCALE	SHEET	DRAWING NUMBER
NTS	1 OF 2	D218-06-205

SWITCHES FOR STAGE OPERATION  
CUSTOMER SUPPLIED

Independent Sounder & Beacon Activation (Remove Link Wires)

Single Stage Configuration Stage 1: Apply Power to Stage 1 Live & Stage 1 Neutral	Config.: 2a	Three/Four Stage Configuration Stage 1: Apply Power to Live & Neutral Stage 2: Apply Power to Live & Neutral & connect Stage 2 to Live Stage 3: Apply Power to Live & Neutral & connect Stage 3 to Live	Config.: 2b
--	-------------	--	-------------



DRAWING TO BS8888:2000 GEOMETRIC TOLERANCES TO ISO1101:1983 LINEAR DIMENSIONAL TOLS ANGULAR DIMENSIONAL TOLS	DRAWN R.S.RAIT	DATE 16/03/2021	SURFACE FINISH	WEIGHT (Kg)	THIS DRAWING AND ANY INFORMATION OR DESCRIPTIVE MATTER THEREIN IS COMMUNICATED IN CONFIDENCE AND IS THE COPYRIGHT PROPERTY OF EUROPEAN SAFETY SYSTEMS LTD. NEITHER THE WHOLE OR ANY EXTRACT MAY BE DISCLOSED, LOANED, COPIED OR USED FOR MANUFACTURING OR TENDERING PURPOSES WITHOUT THEIR WRITTEN CONSENT. © EUROPEAN SAFETY SYSTEMS LTD. AS PER LATEST DATE OF ISSUE SHOWN ABOVE	 warning signals EUROPEAN SAFETY SYSTEMS LTD IMPRESS HOUSE MANSELL ROAD ACTON LONDON W3 7QH WWW.E2S.COM	ALL DIMENSIONS IN MM IF IN DOUBT, ASK - DO NOT SCALE		<b>A3</b>
	STANDARDS ALERTALARM RANGE	CHECKED B.ISARD	DATE 16/03/2021	MATERIAL			TITLE AL100X, AL105NX & DL105X COMBINED SOUNDER & XENON WIRING DIAGRAMS		
		APPROVED R.N.POTTS	DATE 16/03/2021	ALTERNATIVE MATERIAL			SCALE NTS	SHEET 2 OF 2	DRAWING NUMBER D218-06-205