

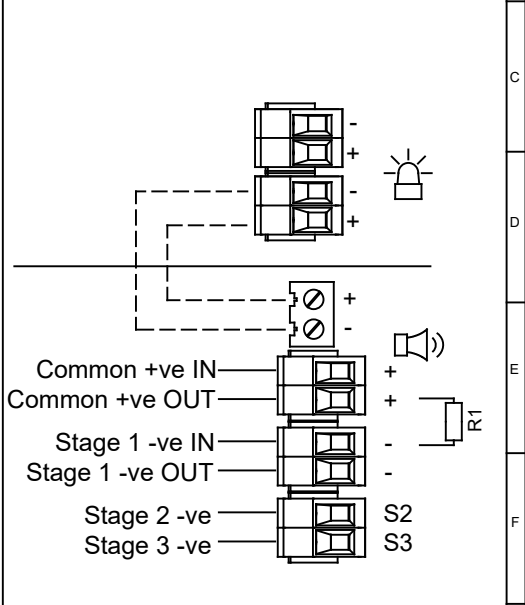
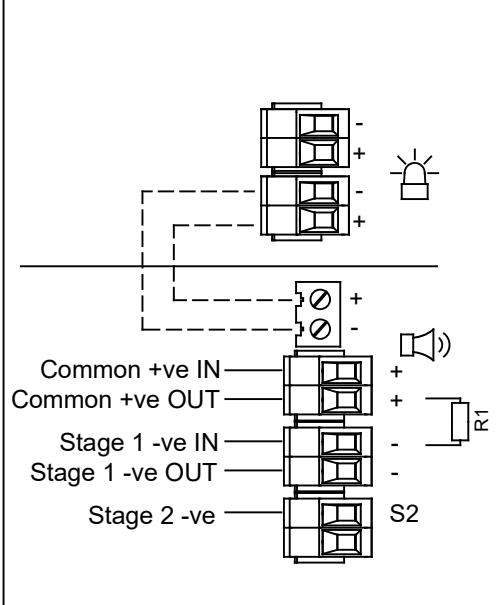
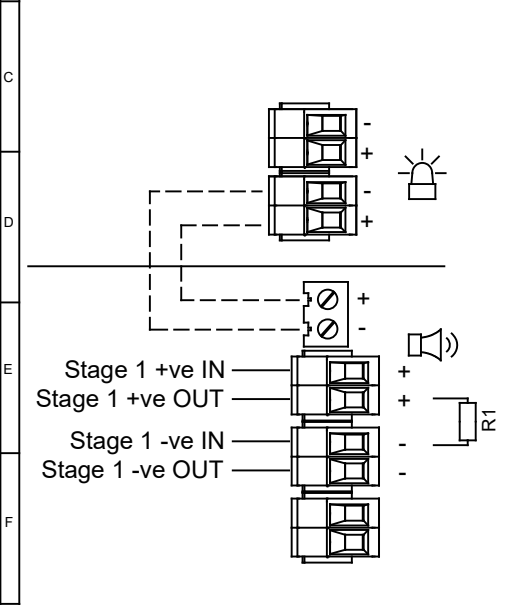
ISSUE	MOD No.	REASON - INITIAL - DATE
A		INTRODUCTION RSR - 11/05/2021

--- WIRING LINKING BEACON & SOUNDER
FACTORY FITTED

OPTIONAL LINE MONITORING RESISTOR, CUSTOMER SUPPLIED,
RECOMMENDED MINIMUM VALUES:
14V MAX SYSTEM = 120Ω MIN, 2W MIN OR 1KΩ MIN, 0.5W MIN
28V MAX SYSTEM = 470Ω MIN, 2W MIN OR 2.4KΩ MIN, 0.5W MIN

Linked Sounder & Beacon Activation (Default)

Single Stage Configuration	Config.: 1a	Two Stage Configuration	Config.: 1b	Three/Four Stage Configuration	Config.: 1c
Line Monitoring		Common Negative		Common Negative	
Stage 1: Apply Power to Stage 1 +ve & Stage 1 -ve		Stage 1: Apply Power to Stage 1 -ve & Common +ve Stage 2: Apply Power to Stage 1 -ve, Stage 2 -ve & Common +ve		Stage 1: Apply Power to Stage 1 -ve & Common +ve Stage 2: Apply Power to Stage 1 -ve, Stage 2 -ve & Common +ve Stage 3: Apply Power to Stage 1 -ve, Stage 3 -ve & Common +ve Stage 4: Apply Power to Stage 1 -ve, Stage 2 -ve, Stage 3 -ve & Common +ve	



DRAWING TO BS8888:2000 GEOMETRIC TOLERANCES TO ISO1101:1983 LINEAR DIMENSIONAL TOLS ANGULAR DIMENSIONAL TOLS	DRAWN	DATE	SURFACE FINISH	WEIGHT (Kg)
	R.S.RAIT	16/03/2021		
	CHECKED	DATE	MATERIAL	
	B.ISARD	16/03/2021	ALTERNATIVE MATERIAL	
STANDARDS	APPROVED	DATE	© EUROPEAN SAFETY SYSTEMS LTD. AS PER LATEST DATE OF ISSUE SHOWN ABOVE	
	R.N.POTTS	16/03/2021		
ALERTALARM RANGE				

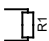
THIS DRAWING AND ANY INFORMATION OR DESCRIPTIVE
MATTER THEREIN IS COMMUNICATED IN CONFIDENCE AND
IS THE COPYRIGHT PROPERTY OF EUROPEAN SAFETY
SYSTEMS LTD. NEITHER THE WHOLE OR ANY EXTRACT MAY
BE DISCLOSED, LOANED, COPIED OR USED FOR
MANUFACTURING OR TENDERING PURPOSES WITHOUT THEIR
WRITTEN CONSENT.



ALL DIMENSIONS IN MM IF IN DOUBT, ASK - DO NOT SCALE			A3
TITLE AL100X, AL105NX & DL105X DC COMBINED SOUNDER & XENON WIRING DIAGRAMS			
SCALE	SHEET	DRAWING NUMBER	
NTS	1 of 2	D218-06-201	

ISSUE	MOD No.	REASON - INITIAL - DATE
A		INTRODUCTION RSR - 11/05/2021

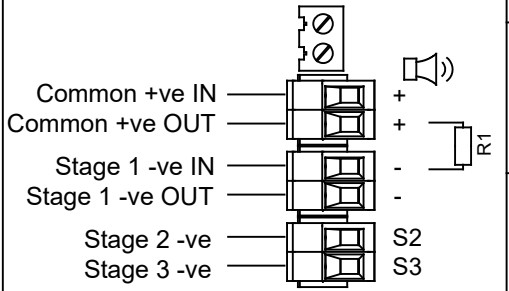
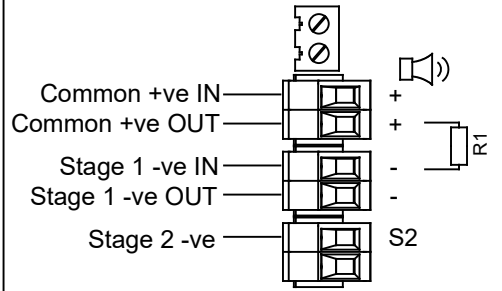
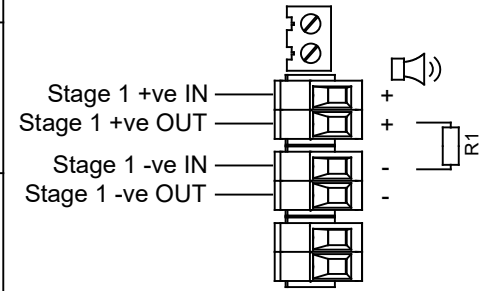
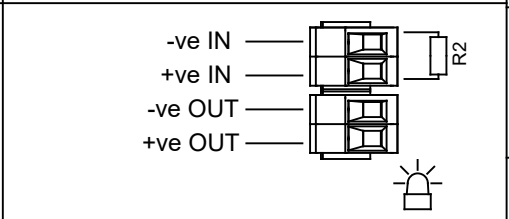
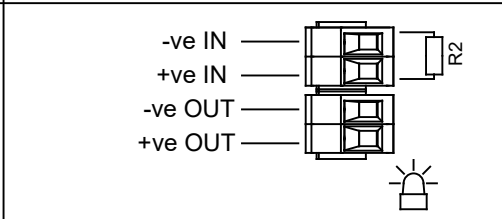
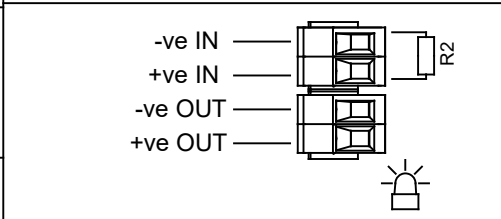
OPTIONAL LINE MONITORING RESISTOR, CUSTOMER SUPPLIED,
RECOMMENDED MINIMUM VALUES;
14V MAX SYSTEM = 120Ω MIN, 2W MIN OR 1KΩ MIN, 0.5W MIN
28V MAX SYSTEM = 470Ω MIN, 2W MIN OR 2.4KΩ MIN, 0.5W MIN



Independent Sounder & Beacon Activation (Remove Link Wires)

Single Stage Configuration	Config.: 5a	Two Stage Configuration	Config.: 5b	Three/Four Stage Configuration	Config.: 5c
----------------------------	-------------	-------------------------	-------------	--------------------------------	-------------

Line Monitoring	Common Positive	Common Positive
Stage 1: Apply Power to Stage 1 +ve & Stage 1 -ve	Stage 1: Apply Power to Stage 1 -ve & Common +ve Stage 2: Apply Power to Stage 1 -ve, Stage 2 -ve & Common +ve	Stage 1: Apply Power to Stage 1 -ve & Common +ve Stage 2: Apply Power to Stage 1 -ve, Stage 2 -ve & Common +ve Stage 3: Apply Power to Stage 1 -ve, Stage 3 -ve & Common +ve Stage 4: Apply Power to Stage 1 -ve, Stage 2 -ve, Stage 3 -ve & Common +ve



DRAWING TO BS8888:2000 GEOMETRIC TOLERANCES TO ISO1101:1983 LINEAR DIMENSIONAL TOLS ANGULAR DIMENSIONAL TOLS	DRAWN	DATE
	R.S.RAIT	16/03/2021
	CHECKED	DATE
STANDARDS	B.ISARD	16/03/2021
	APPROVED	DATE
ALERTALARM RANGE	R.N.POTTS	16/03/2021

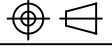
SURFACE FINISH	WEIGHT (Kg)
MATERIAL	
ALTERNATIVE MATERIAL	

THIS DRAWING AND ANY INFORMATION OR DESCRIPTIVE MATTER THEREIN IS COMMUNICATED IN CONFIDENCE AND IS THE COPYRIGHT PROPERTY OF EUROPEAN SAFETY SYSTEMS LTD. NEITHER THE WHOLE OR ANY EXTRACT MAY BE DISCLOSED, LOANED, COPIED OR USED FOR MANUFACTURING OR TENDERING PURPOSES WITHOUT THEIR WRITTEN CONSENT.

© EUROPEAN SAFETY SYSTEMS LTD.
AS PER LATEST DATE OF ISSUE SHOWN ABOVE



EUROPEAN SAFETY SYSTEMS LTD
IMPRESS HOUSE
MANSELL ROAD
ACTON
LONDON W3 7QH
WWW.E2S.COM

ALL DIMENSIONS IN MM IF IN DOUBT, ASK - DO NOT SCALE			A3
TITLE AL100X, AL105NX & DL105X DC COMBINED SOUNDER & XENON WIRING DIAGRAMS			
SCALE	SHEET	DRAWING NUMBER	
NTS	2 OF 2	D218-06-201	