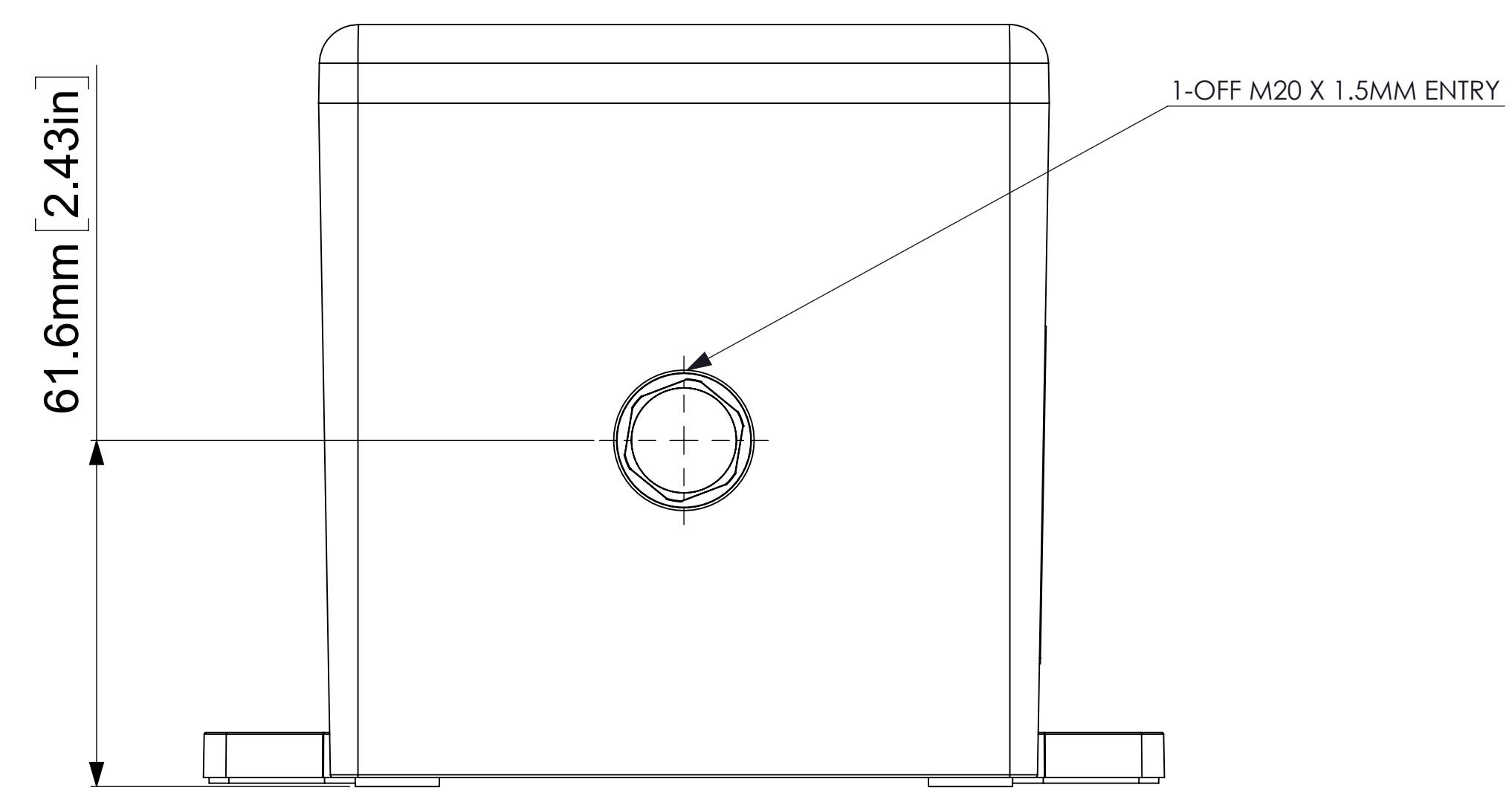
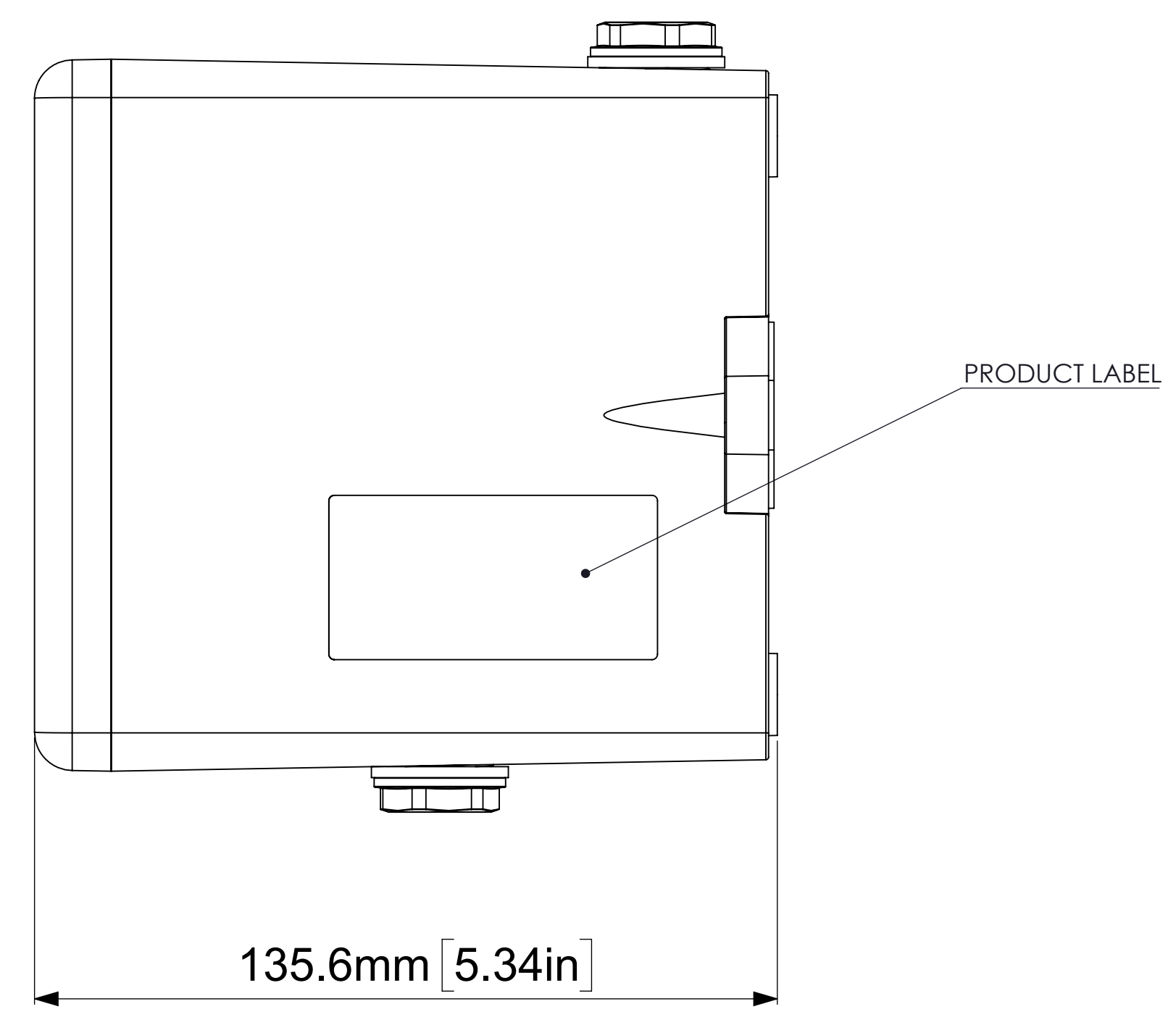
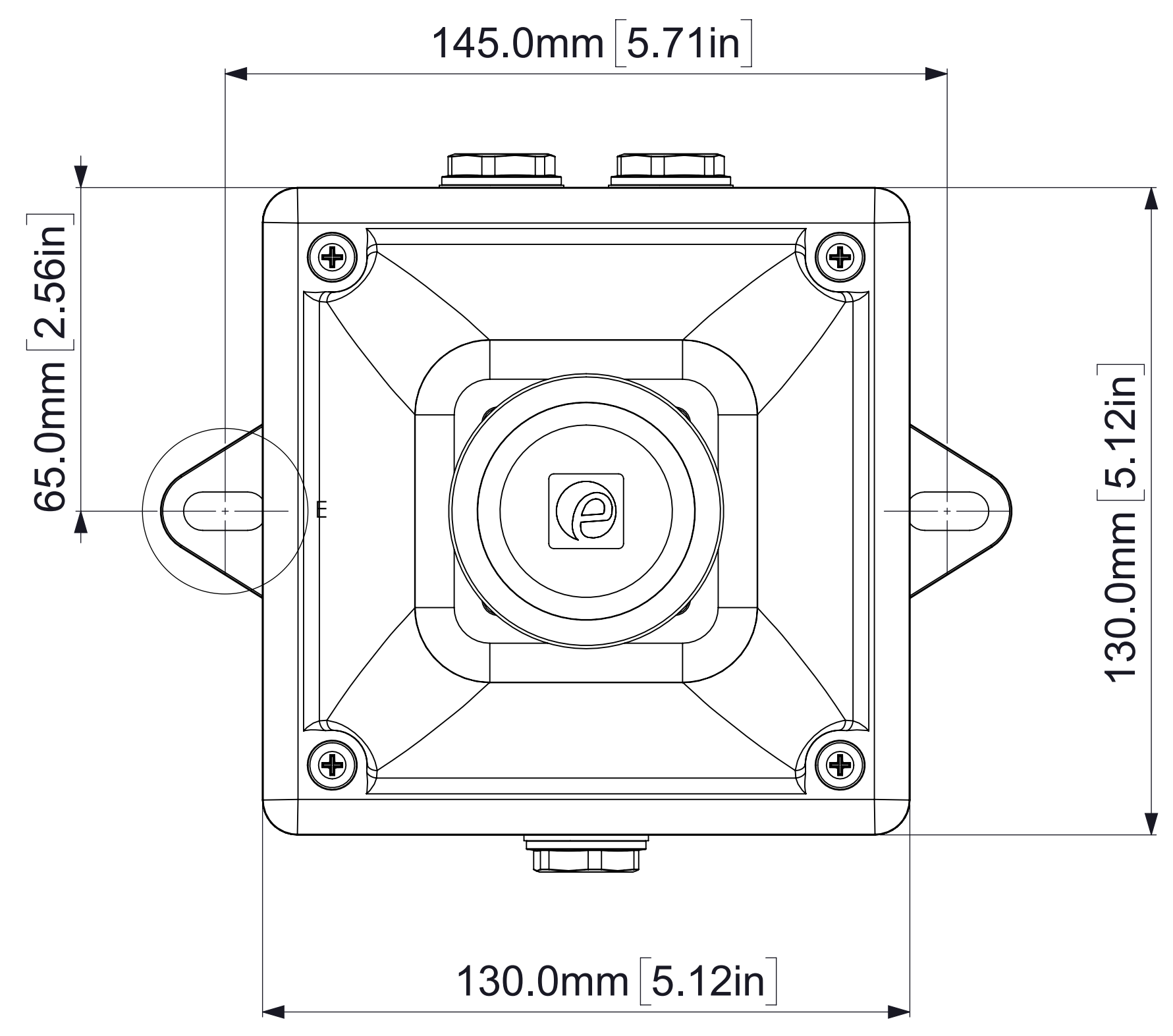
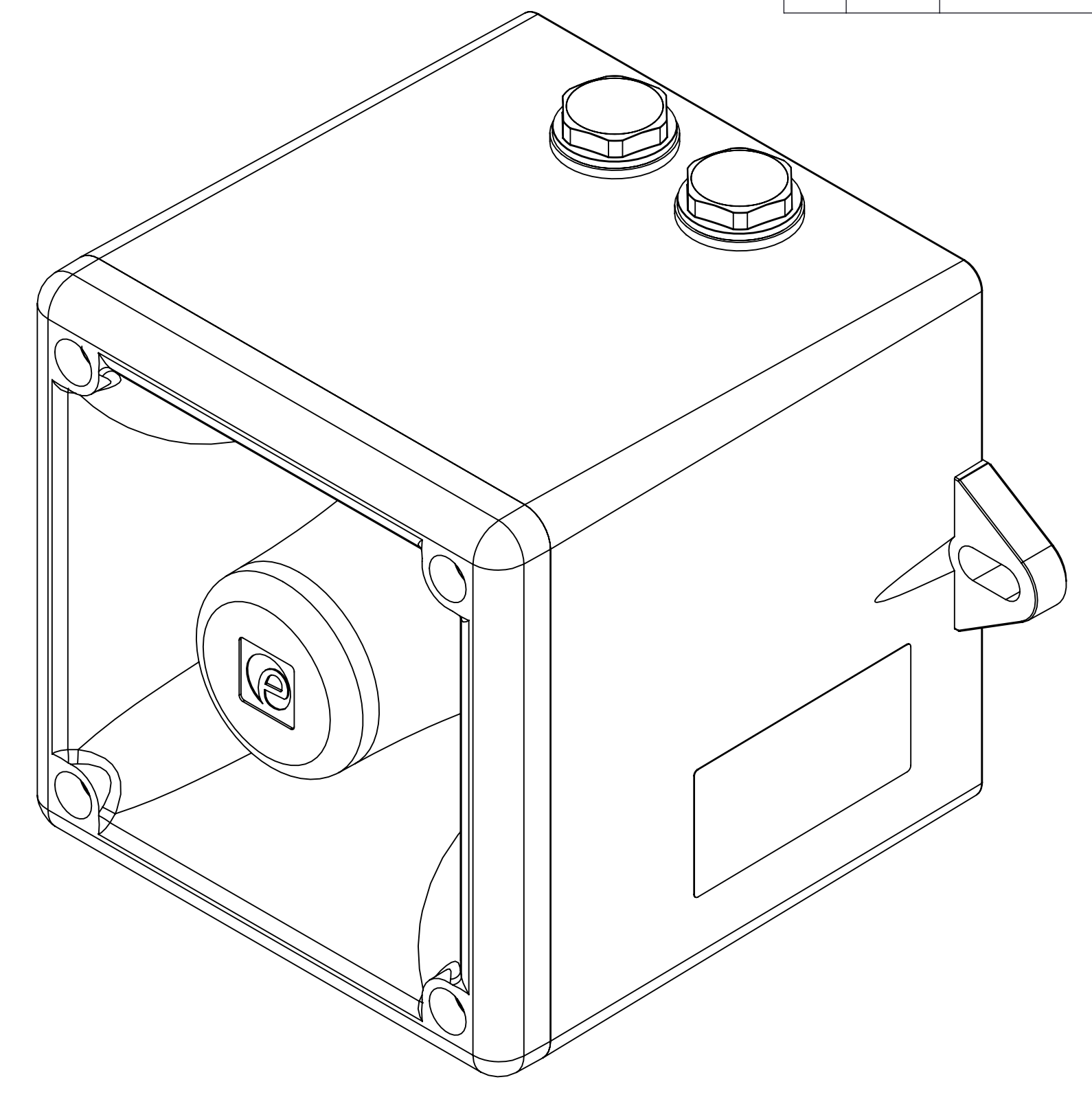
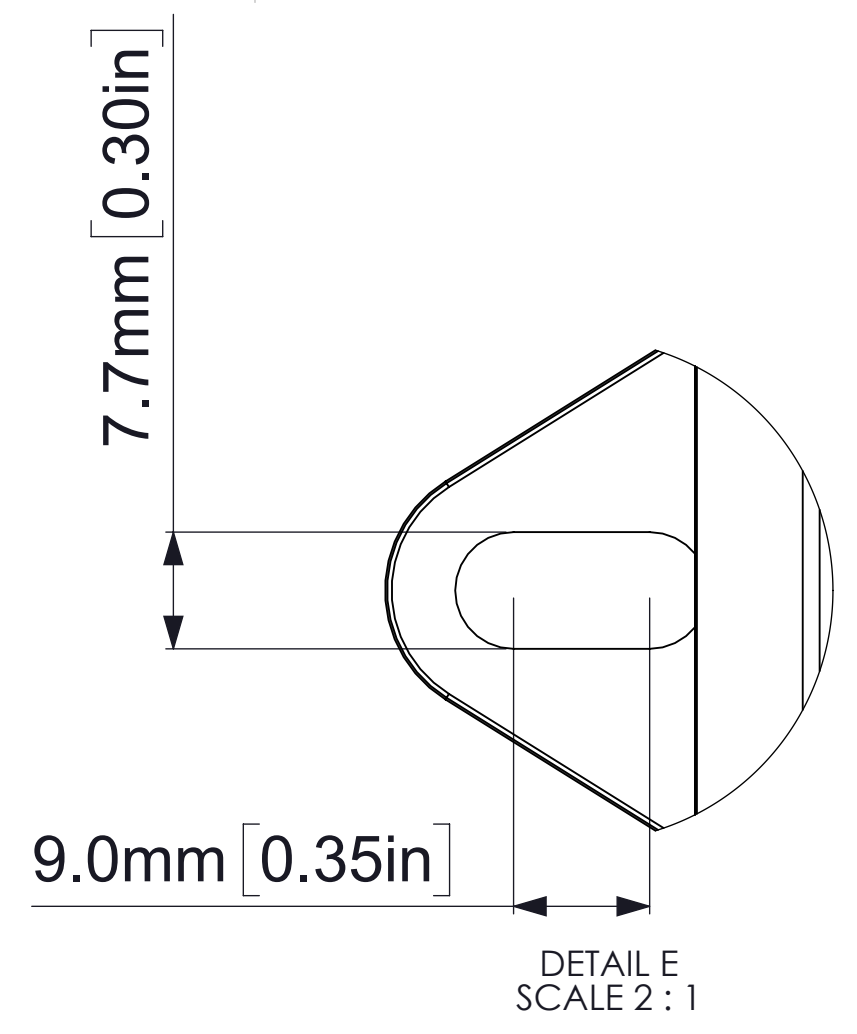
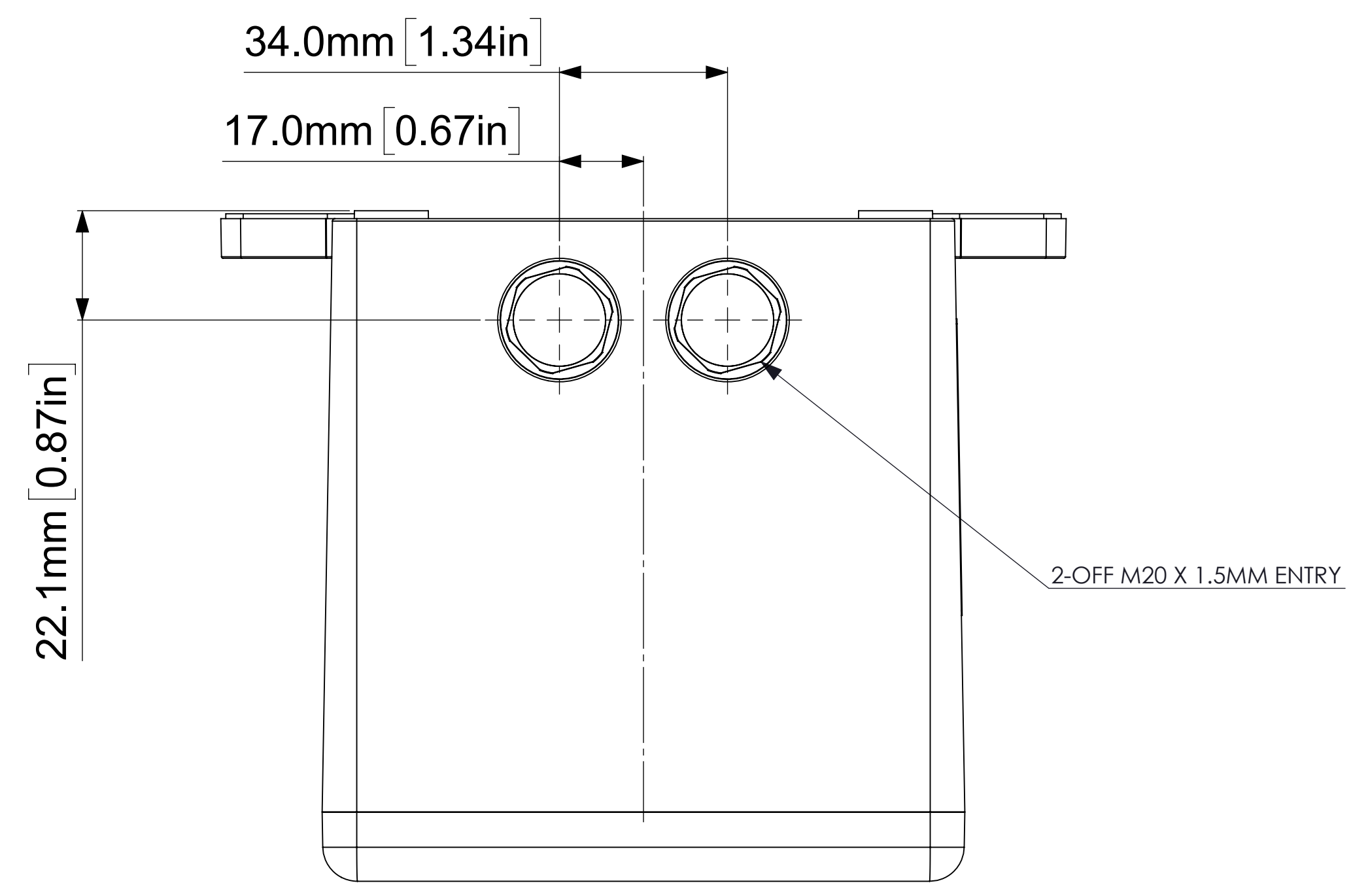


ISSUE	MOD No.	REASON - INITIAL - DATE
1		INTRODUCTION - JS - 29/06/2021



E2S PART NO.	DESCRIPTION	DATA REFERENCE
A105NSONTEL	A105N TELEPHONE INITIATED ALARM SOUNDER	2.21.070

DRAWING TO BS888:2000 GEOMETRIC TOLERANCES TO ISO1101:1983 LINEAR DIMENSIONAL TOLS ANGULAR DIMENSIONAL TOLS	DRAWN	DATE	SURFACE FINISH	WEIGHT (kg)	THIS DRAWING AND ANY INFORMATION OR DESCRIPTIVE MATTER THEREIN IS COMMUNICATED IN CONFIDENCE AND IS THE COPYRIGHT PROPERTY OF EUROPEAN SAFETY SYSTEMS LTD. NEITHER THE WHOLE OR ANY EXTRACT MAY BE DISCLOSED, LOANED, COPIED OR USED FOR MANUFACTURING OR TENDERING PURPOSES WITHOUT THEIR WRITTEN CONSENT.	 EUROPEAN SAFETY SYSTEMS LTD IMPRESS HOUSE MANSELL ROAD ACTON LONDON W3 7QH WWW.E2S.COM	ALL DIMENSIONS IN MM IF IN DOUBT, ASK - DO NOT SCALE			 A1
	CHECKED	DATE					MATERIAL	TITLE	SCALE	
STANDARDS	APPROVED	DATE	ALTERNATIVE MATERIAL	©			EUROPEAN SAFETY SYSTEMS LTD. AS PER LATEST DATE OF ISSUE SHOWN ABOVE	1:1	1 OF 1	D247-05-051
SONTEL	R.N. POTTS	29/06/2021								