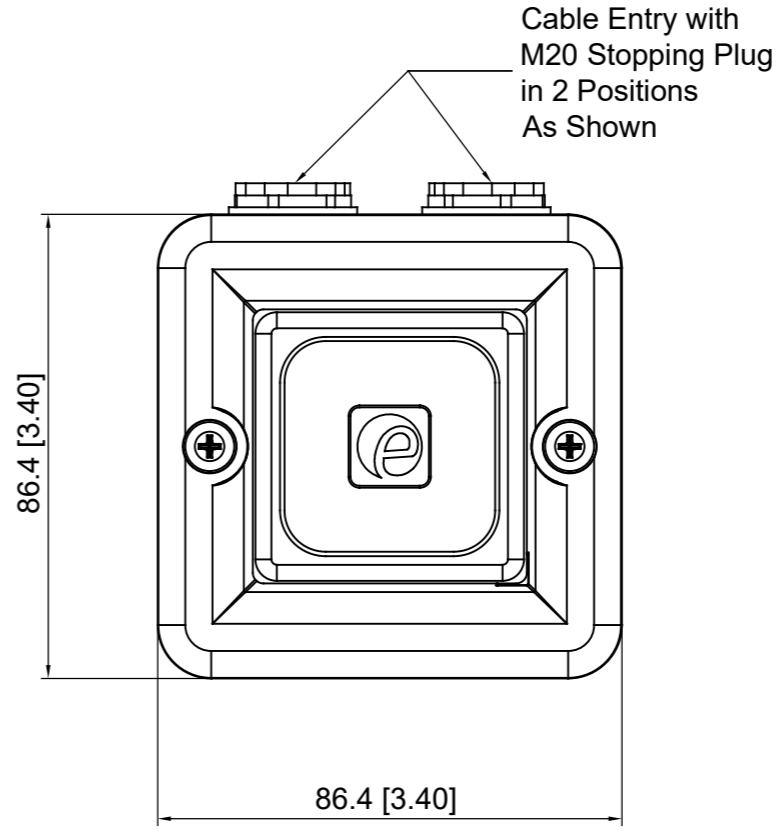
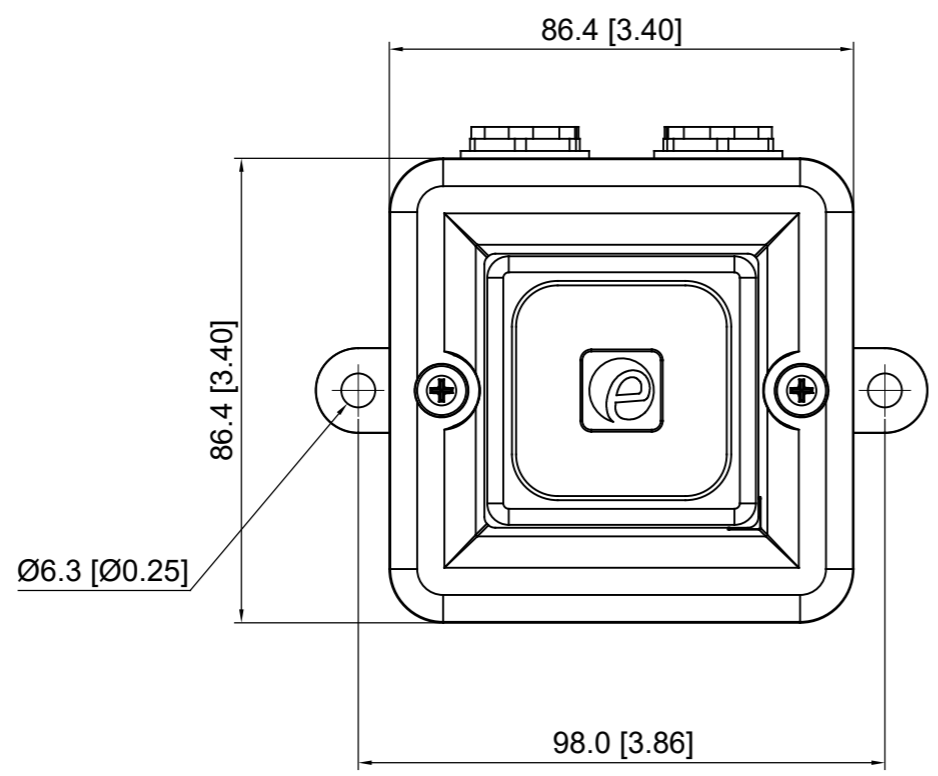
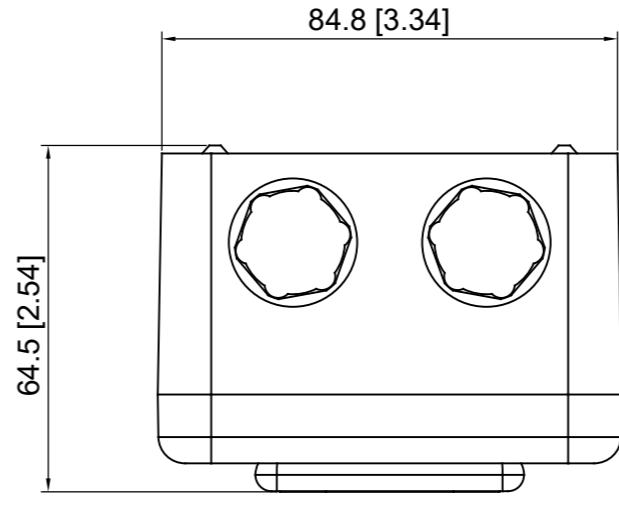
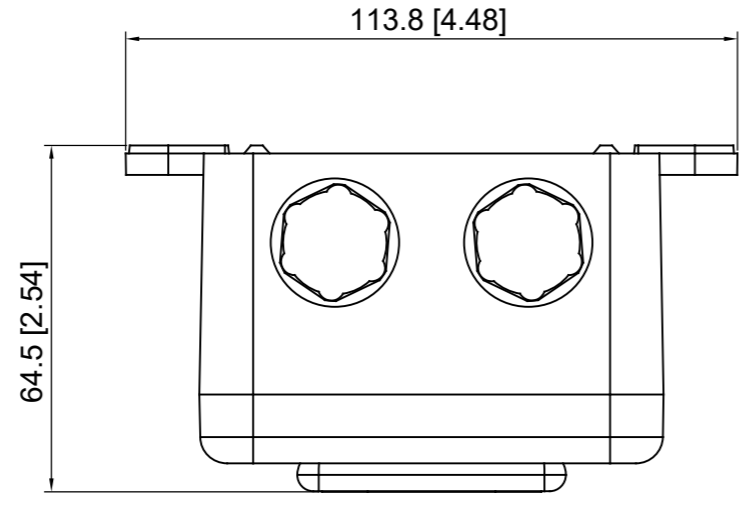


ISSUE	MOD No.	INITIAL/DATE
A		INTRODUCTION OF PART DAH 09-03-2021
B		ENTRIES ORIENTATION FLIPPED DAH 10-06-2021

Multi-purpose Backbox (M)

Sonora Backbox (S)



E2S PART NO.	DESCRIPTION	DATA REFERENCE
SONF1...	SONF1 ALARM SOUNDER	2.21.010
SONF1...-HO	SONF1-HO ALARM SOUNDER	2.21.020

REFER TO CORRECT BACK BOX TYPE SKETCHES ABOVE.

DIMENSIONS IN MM [INCHES]

DRAWING TO BS8888:2000 GEOMETRIC TOLERANCES TO ISO1101:1983 LINEAR DIMENSIONAL TOLS ANGULAR DIMENSIONAL TOLS	DRAWN D.HOWGILL	DATE 09-03-2021	SURFACE FINISH	WEIGHT (Kg)	THIS DRAWING AND ANY INFORMATION OR DESCRIPTIVE MATTER THEREIN IS COMMUNICATED IN CONFIDENCE AND IS THE COPYRIGHT PROPERTY OF EUROPEAN SAFETY SYSTEMS LTD. NEITHER THE WHOLE OR ANY EXTRACT MAY BE DISCLOSED, LOANED, COPIED OR USED FOR MANUFACTURING OR TENDERING PURPOSES WITHOUT THEIR WRITTEN CONSENT.	 warning signals EUROPEAN SAFETY SYSTEMS LTD IMPRESS HOUSE MANSELL ROAD ACTON LONDON W3 7QH WWW.E2S.COM	ALL DIMENSIONS IN MM IF IN DOUBT, ASK - DO NOT SCALE	 A2
	STANDARDS SONORA	CHECKED R.N.POTTS	DATE 09-03-2021	MATERIAL			ALTERNATIVE MATERIAL	
						SCALE 1:1	SHEET 1 OF 1	DRAWING NUMBER D242-05-001