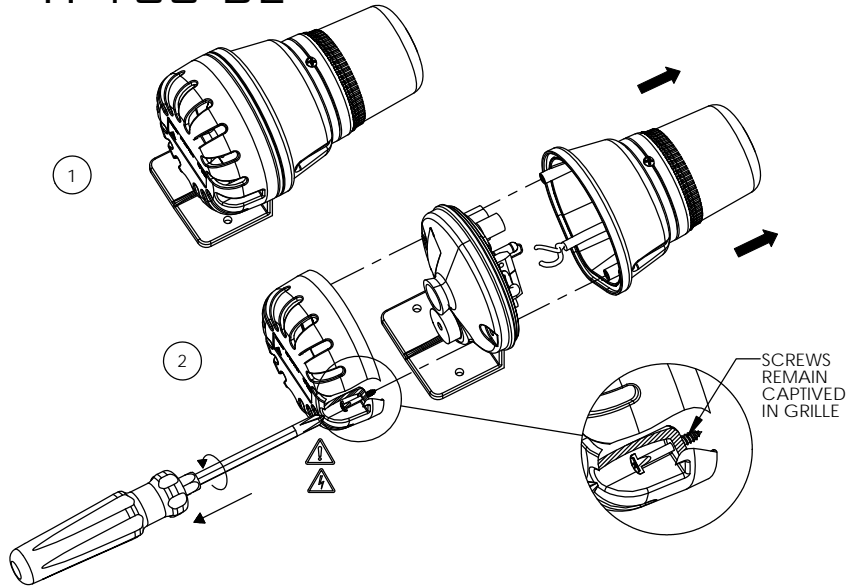




# A SPECTRA H 100 BL

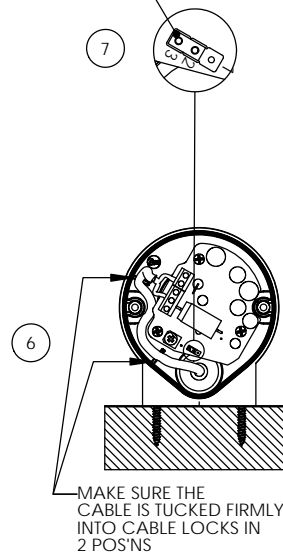


Tel: +44 (0)2 8743 8880 Fax: +44 (0)20 8740 4200  
mail: sales@e2s.com web: www.e2s.com



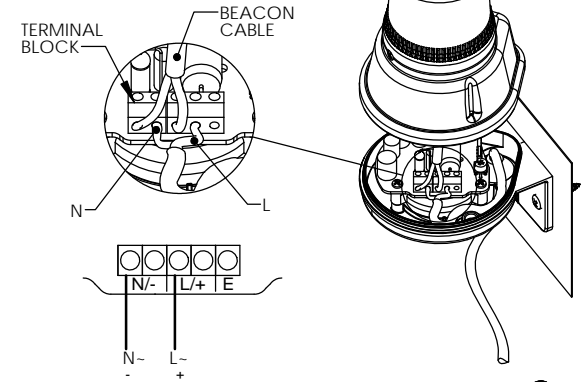
# C

PLACE THE HEADER PIN TO REQUIRED TONE  
SEE SHEET 1, FOR DETAIL.



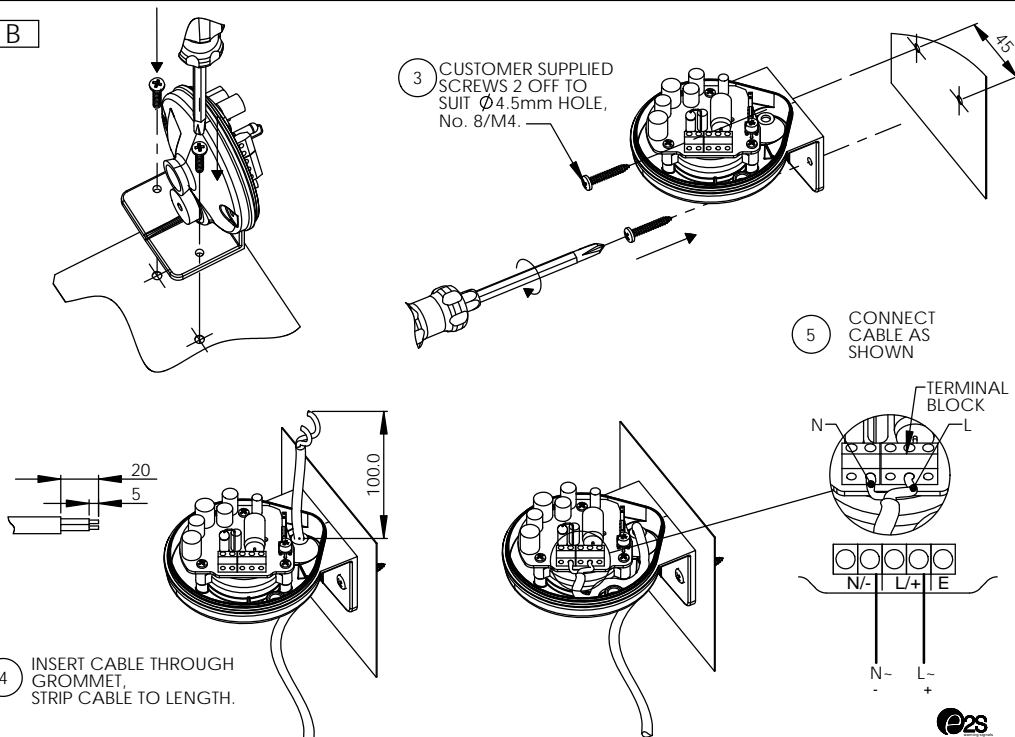
TERMINAL BLOCK	A/C INPUT	D/C INPUT
N/-	N-	-
N/-	N-(FROM BEACON)	-(FROM BEACON)
L/+	L-	+
L/+	L-(FROM BEACON)	+(FROM BEACON)
E		

8 CONNECT THE BEACON CABLES TO TERMINAL AS SHOWN



# B

3 CUSTOMER SUPPLIED SCREWS 2 OFF TO SUIT Ø4.5mm HOLE, No. 8/M4.



Dimensions in mm

# D

