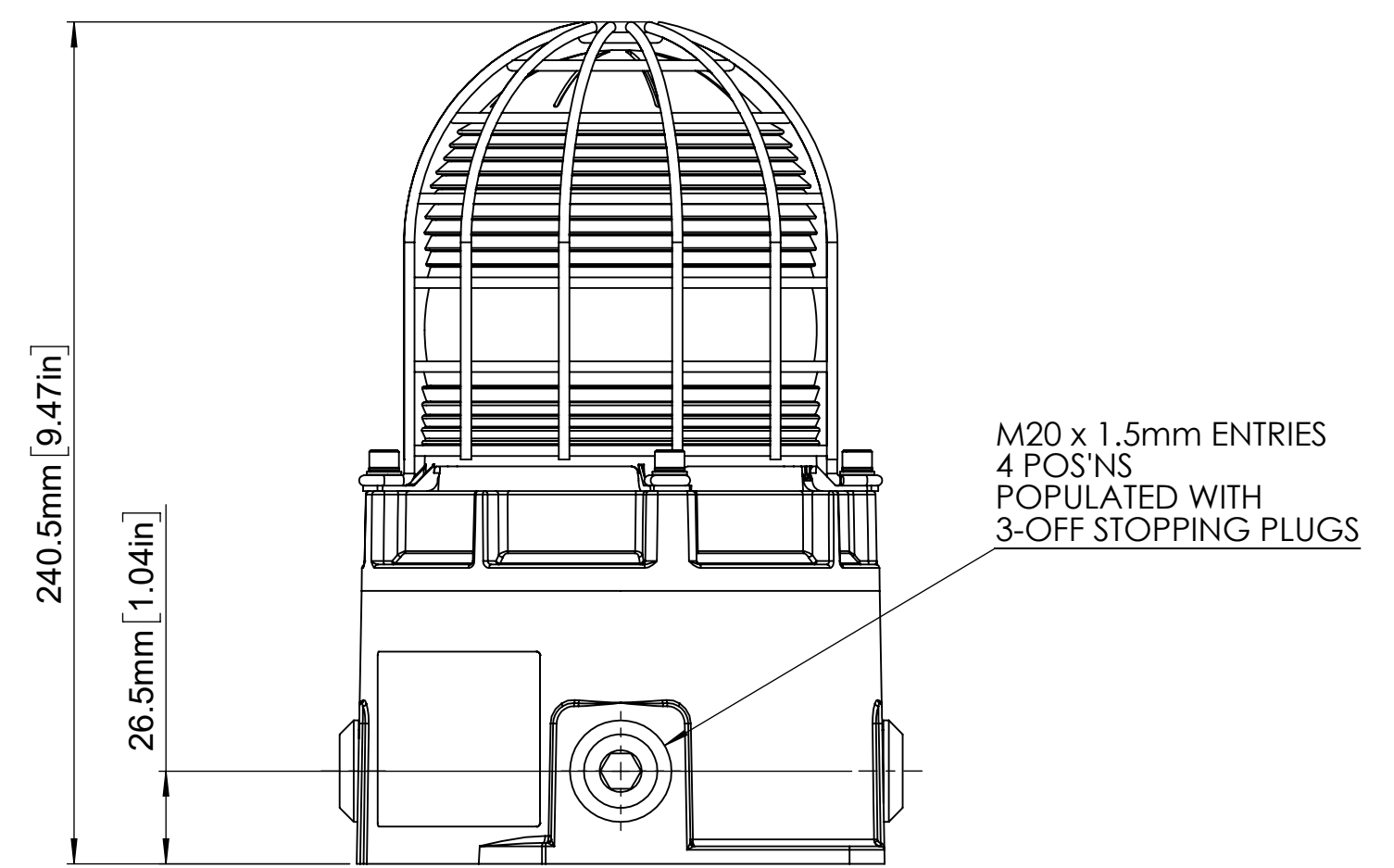
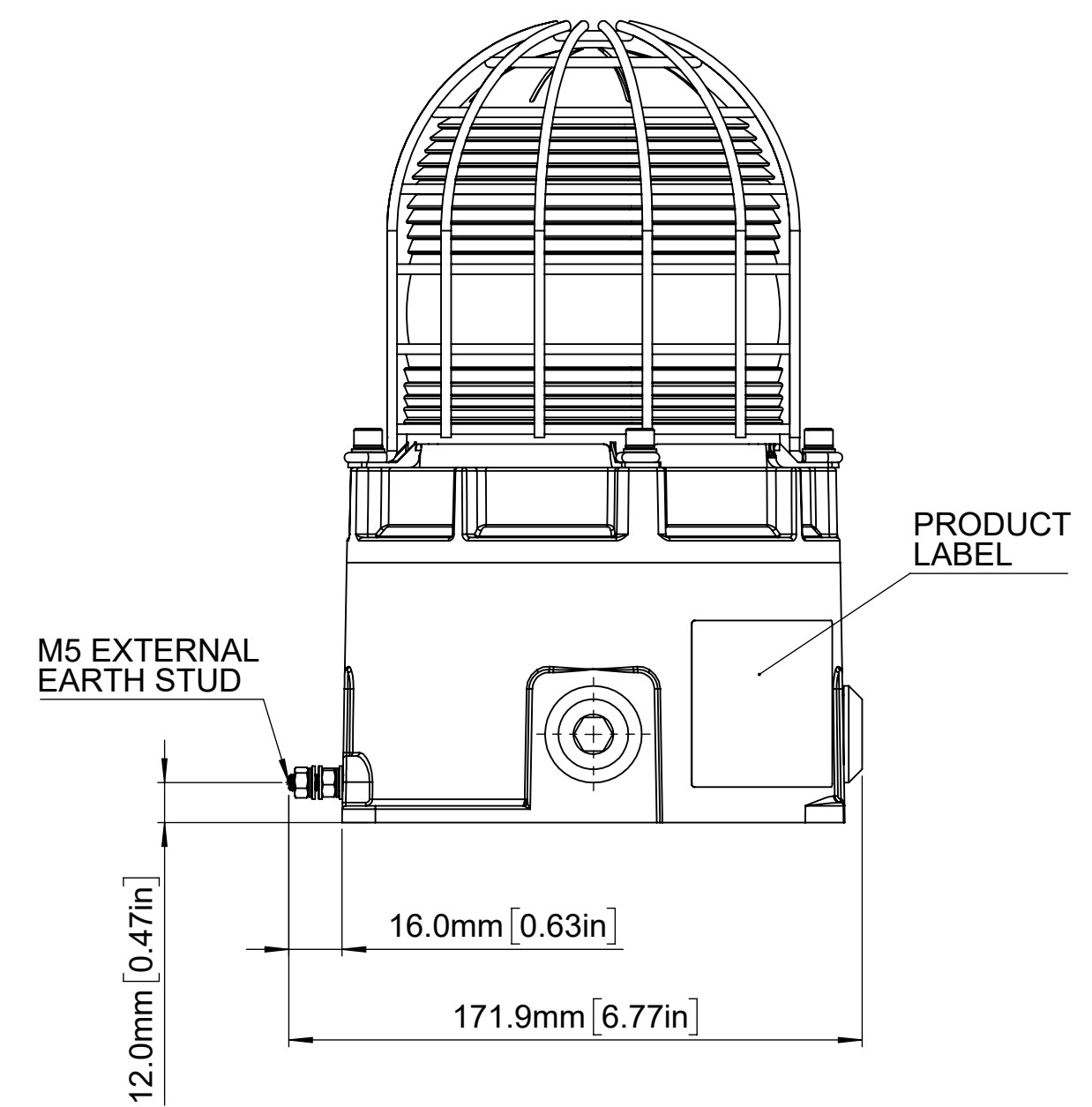
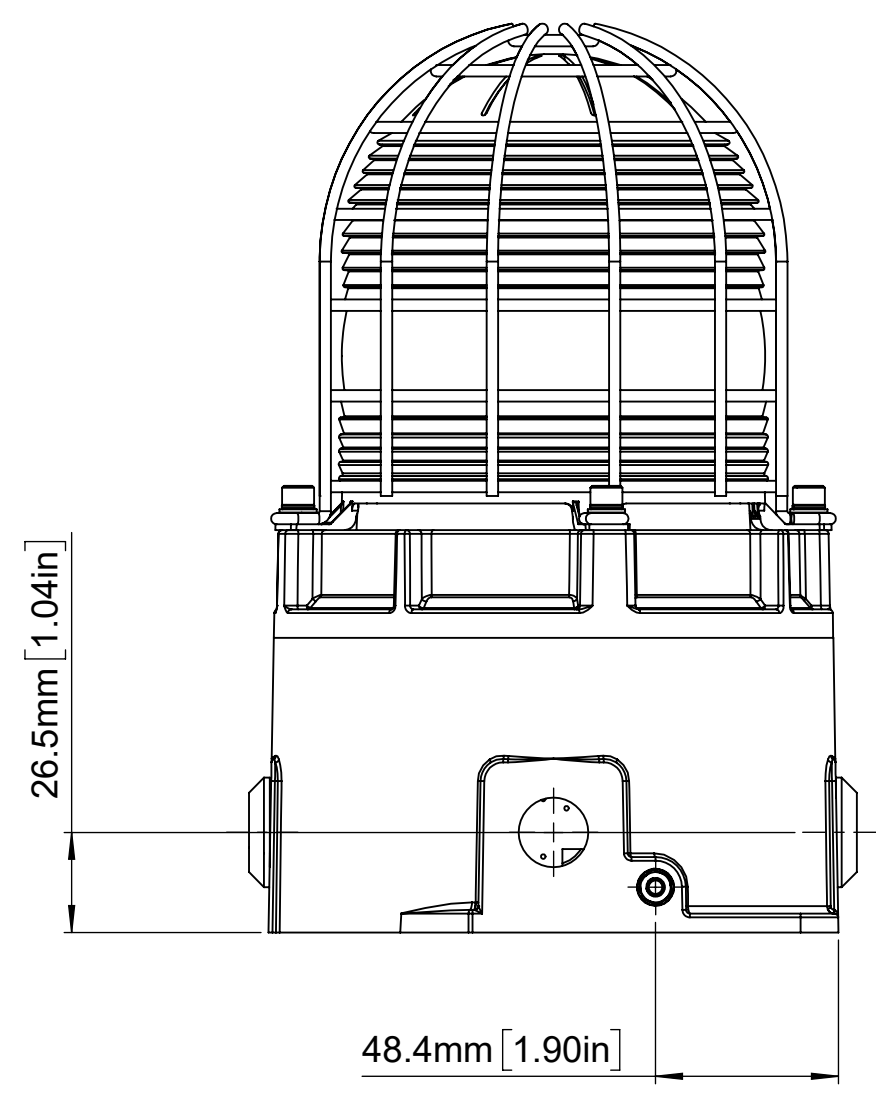
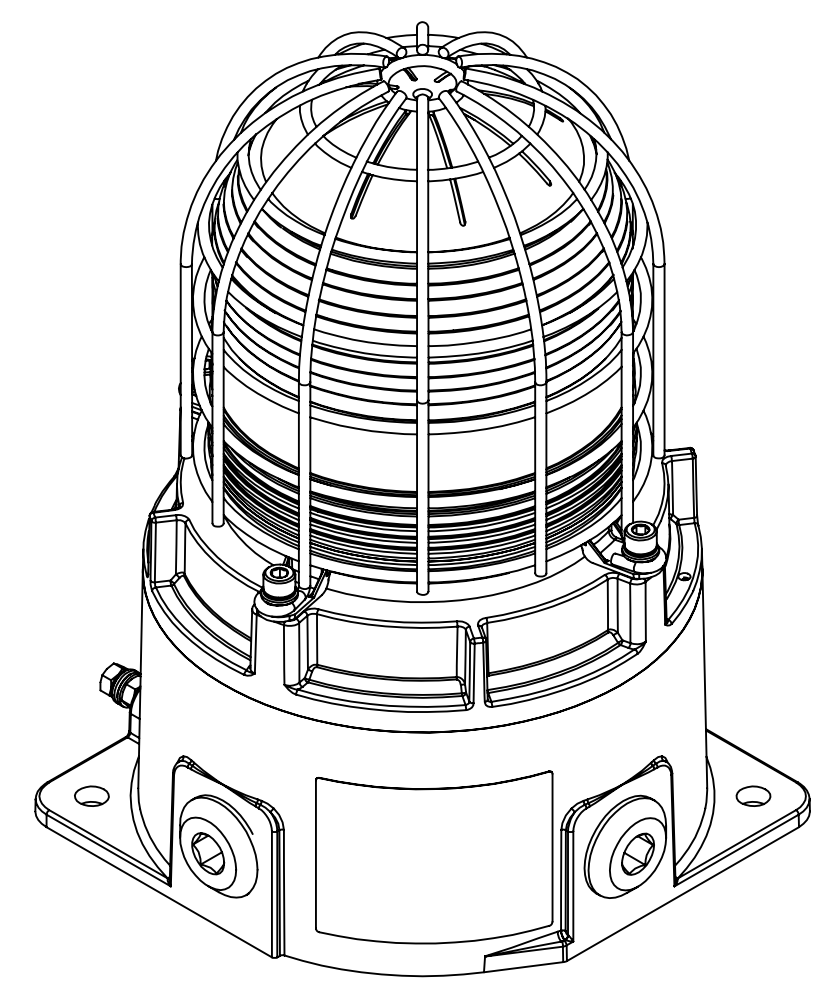
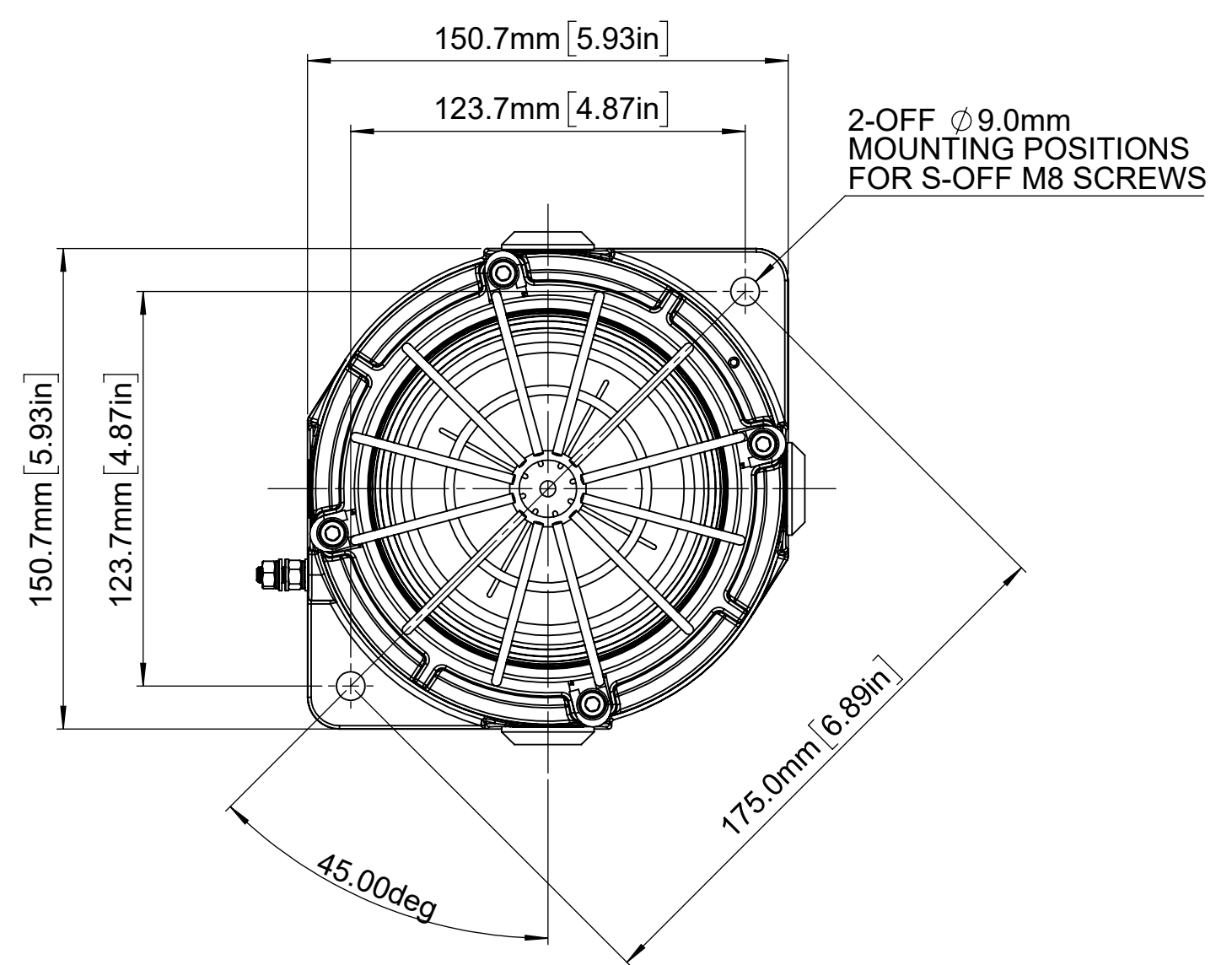


ISSUE	MOD No.	REASON - INITIAL - DATE
1		INTRODUCTION JS 22-03-2021



E2S PART NO.	DESCRIPTION	DATA REFERENCE
STExB2X05	STExB2 05J XENON BEACON	1-21-168
STExB2X10	STExB2 10J XENON BEACON	1-21-170
STExB2X15	STExB2 15J XENON BEACON	1-21-172
STExB2X21	STExB2 20J XENON BEACON	1-21-174
STExB2LD2	STExB2 LED BEACON	1-21-160

DRAWING TO BS8888:2000 GEOMETRIC TOLERANCES TO ISO1101:1983 LINEAR DIMENSIONAL TOLS ANGULAR DIMENSIONAL TOLS	DRAWN J.SPILLER	DATE 22-03-2021	SURFACE FINISH	WEIGHT (kg)	THIS DRAWING AND ANY INFORMATION OR DESCRIPTIVE MATTER THEREIN IS COMMUNICATED IN CONFIDENCE AND IS THE COPYRIGHT PROPERTY OF EUROPEAN SAFETY SYSTEMS LTD. NEITHER THE WHOLE OR ANY EXTRACT MAY BE DISCLOSED, LOANED, COPIED OR USED FOR MANUFACTURING OR TENDERING PURPOSES WITHOUT THEIR WRITTEN CONSENT.	 EUROPEAN SAFETY SYSTEMS LTD IMPRESS HOUSE MANSELL ROAD ACTON LONDON W3 7QH WWW.E2S.COM	ALL DIMENSIONS IN MM IF IN DOUBT, ASK - DO NOT SCALE		 A2
	STANDARDS STExB2 BEACONS	CHECKED R.N.POTTS	DATE 22-03-2021	MATERIAL			ALTERNATIVE MATERIAL	TITLE STExB2X 05J/10J/15J/21J XENON BEACON & LED BEACON - OUTLINE DRAWING SCALE 1:2 SHEET 1 OF 1 DRAWING NUMBER D199-05-201	
	APPROVED R.N.POTTS	DATE 22-03-2021	EUROPEAN SAFETY SYSTEMS LTD. AS PER LATEST DATE OF ISSUE SHOWN ABOVE						