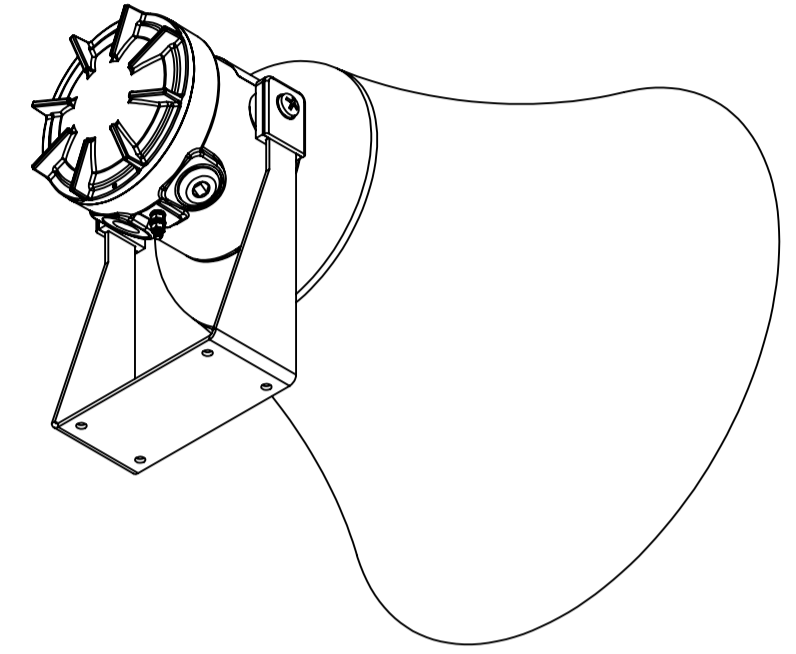
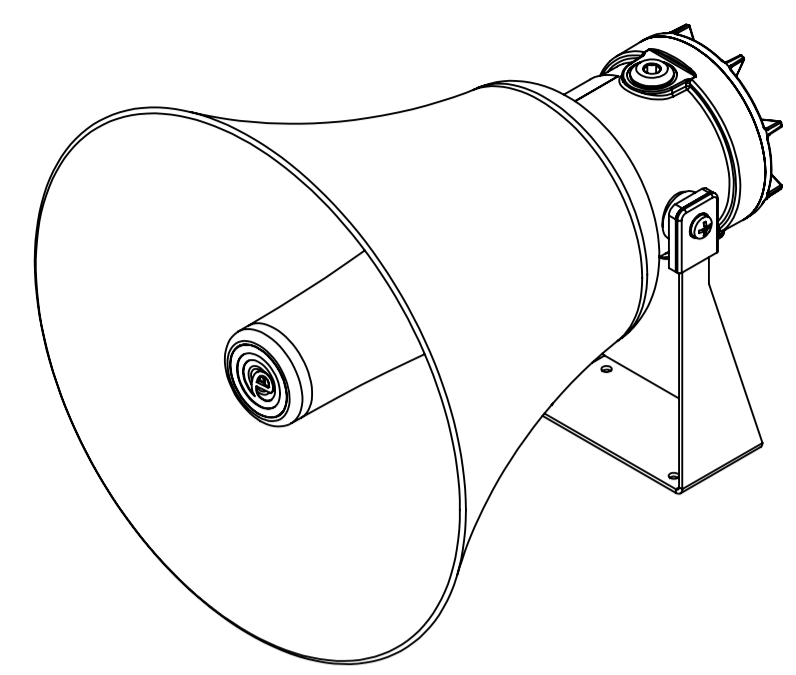
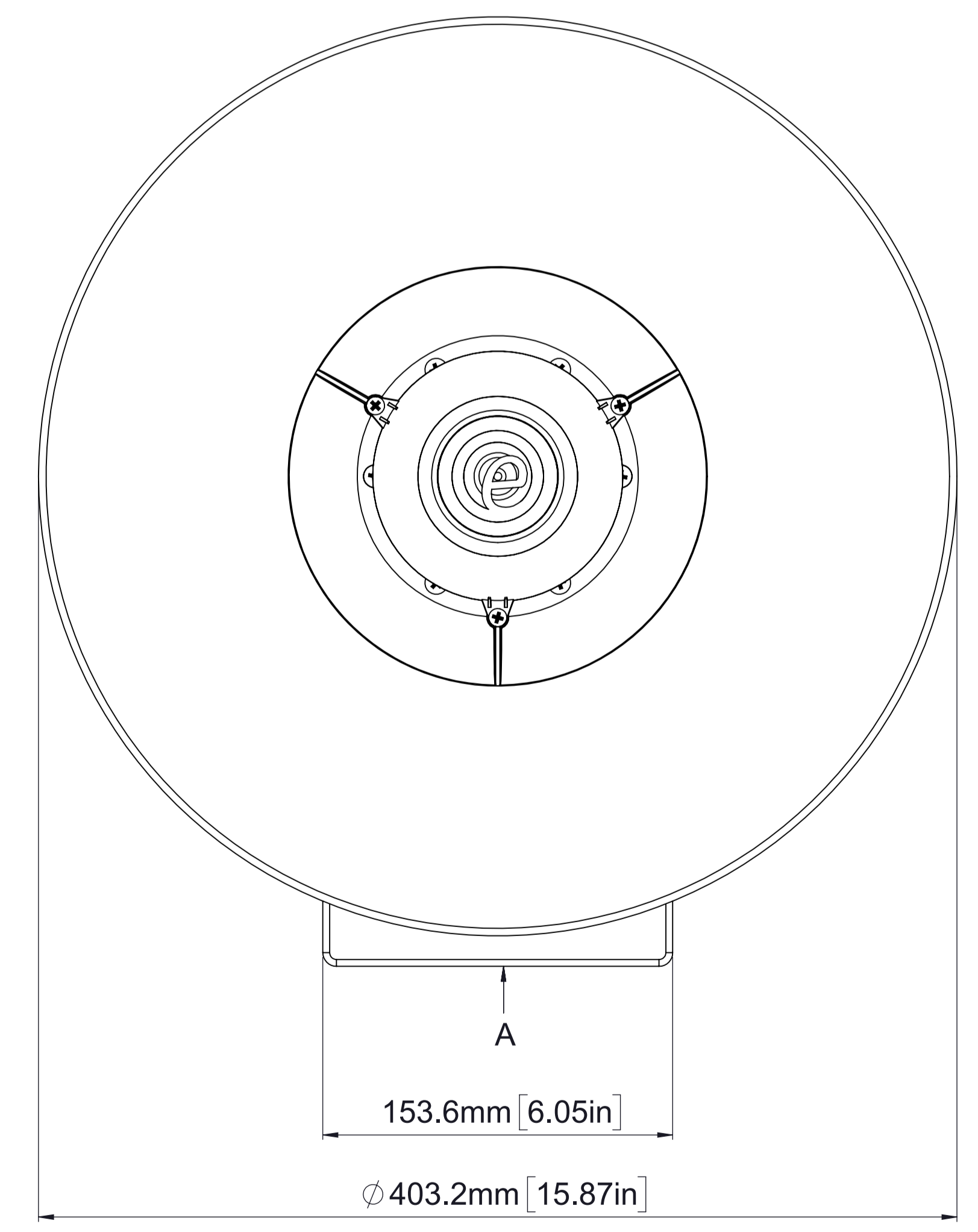
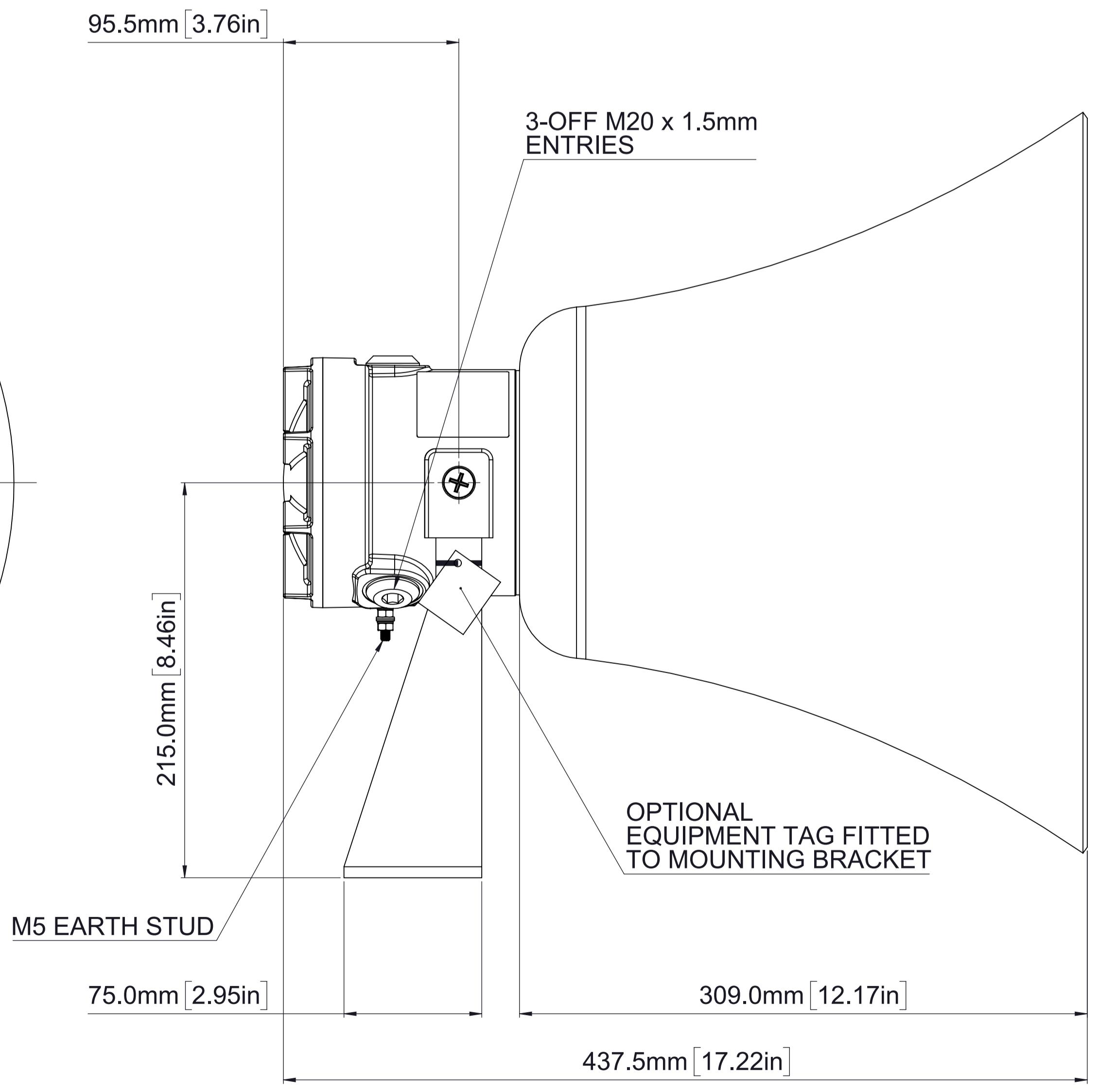
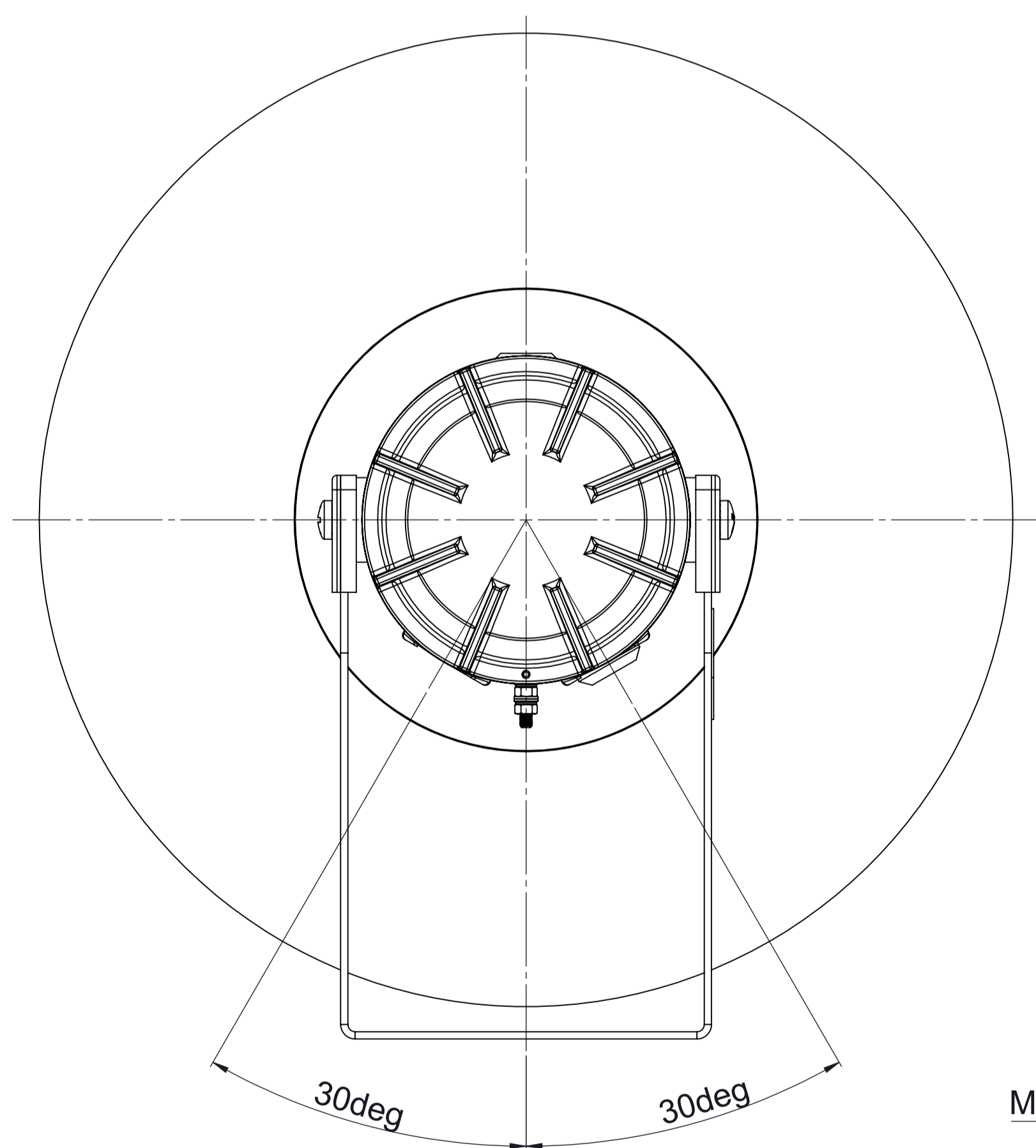
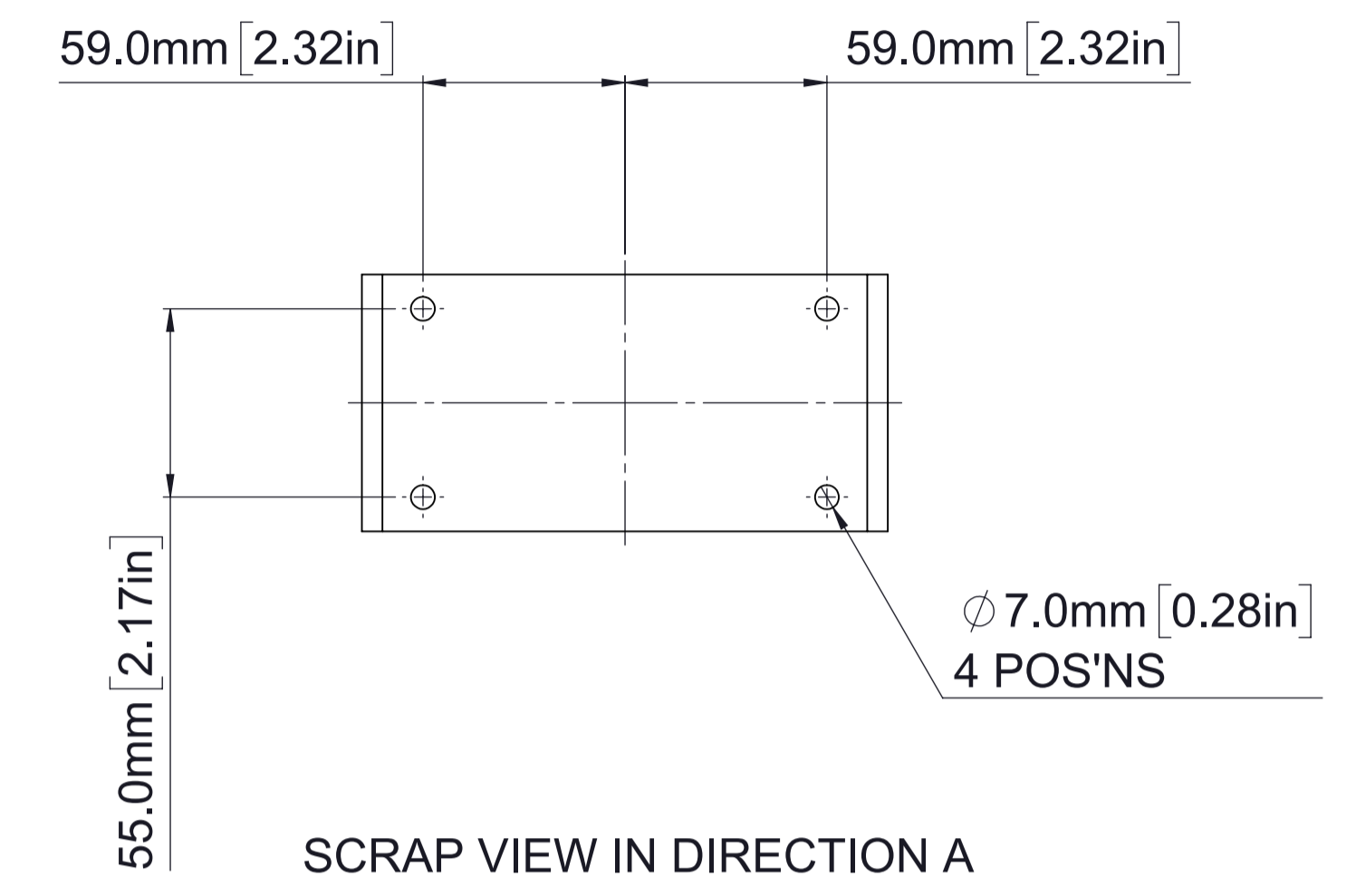
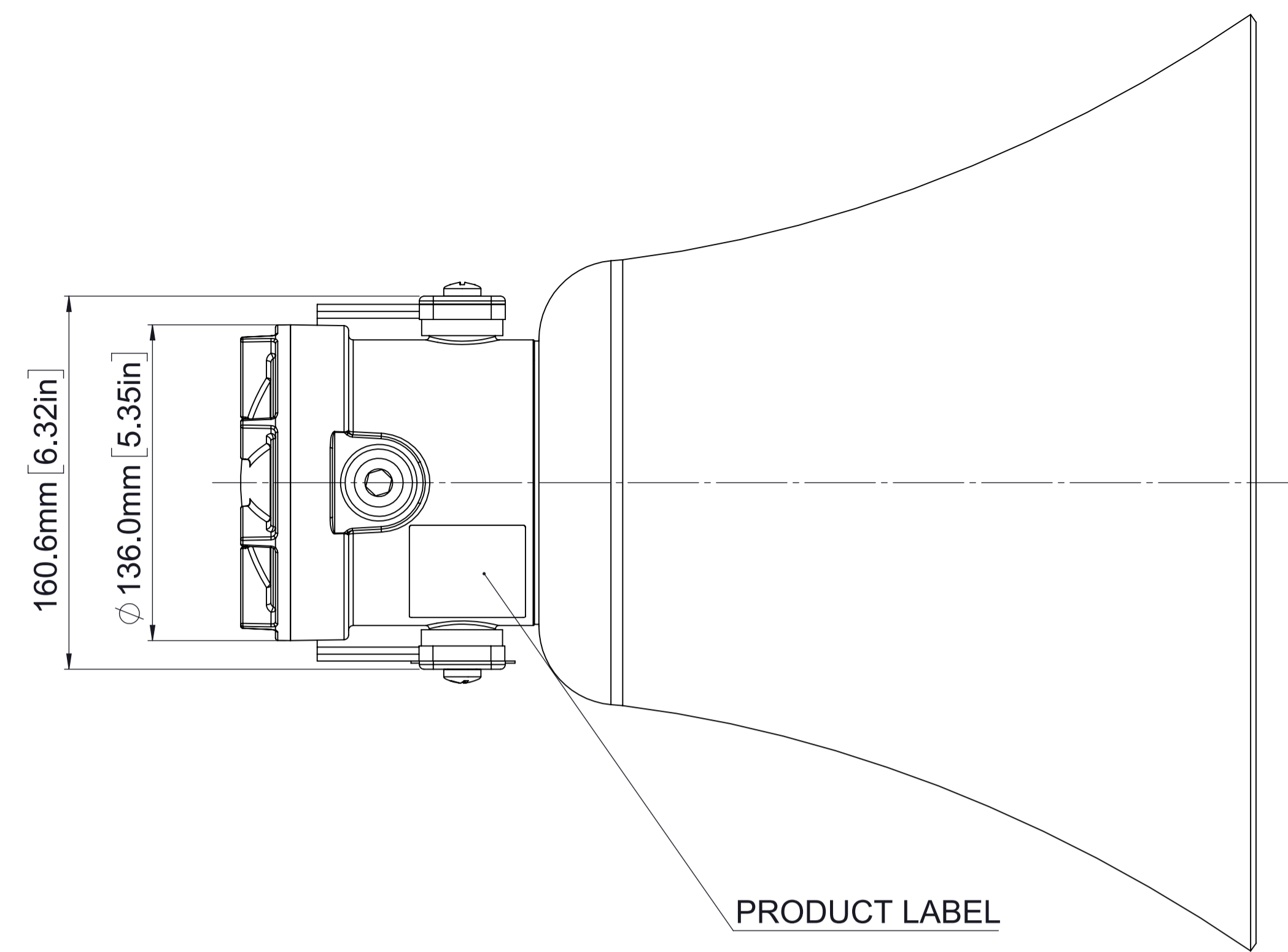


ISSUE	MOD No.	REASON - INITIAL - DATE
1		Introduction JS - 23/03/2021



SCALE 1:5



E2S PART NO.	DESCRIPTION
STExS2H	STEX S2 LARGE FLARE ALARM SOUNDER (Ex d VERSION)
STExL2H	STEX L2 LARGE FLARE LOUDSPEAKER (Ex d VERSION)

DATA REFERENCE
1-22-195
1-22-215

DRAWING TO BS888:2000	DRAWN	DATE	SURFACE FINISH	WEIGHT (kg)
GEOMETRIC TOLERANCES TO ISO1101:1983	J. SPILLER	23/03/21		
LINEAR DIMENSIONAL TOLS	CHECKED	DATE	MATERIAL	
ANGULAR DIMENSIONAL TOLS	R.POTTS	23/03/21	GRP	
STANDARDS	APPROVED	DATE	ALTERNATIVE MATERIAL	
STEx Range	R.POTTS	23/03/21		

THIS DRAWING AND ANY INFORMATION OR DESCRIPTIVE MATTER THEREIN IS COMMUNICATED IN CONFIDENCE AND IS THE COPYRIGHT PROPERTY OF EUROPEAN SAFETY SYSTEMS LTD. NEITHER THE WHOLE OR ANY EXTRACT MAY BE DISCLOSED, LOANED, COPIED OR USED FOR MANUFACTURING OR TENDERING PURPOSES WITHOUT THEIR WRITTEN CONSENT.

EUROPEAN SAFETY SYSTEMS LTD.
AS PER LATEST DATE OF ISSUE SHOWN ABOVE.



ALL DIMENSIONS IN MM IF IN DOUBT, ASK - DO NOT SCALE			A1	
TITLE: STExS2H / STExL2H SOUNDER OUTLINE DRAWING				
SCALE: 1:2	SHEET: 1 OF 1	DRAWING NUMBER: D199-05-071		