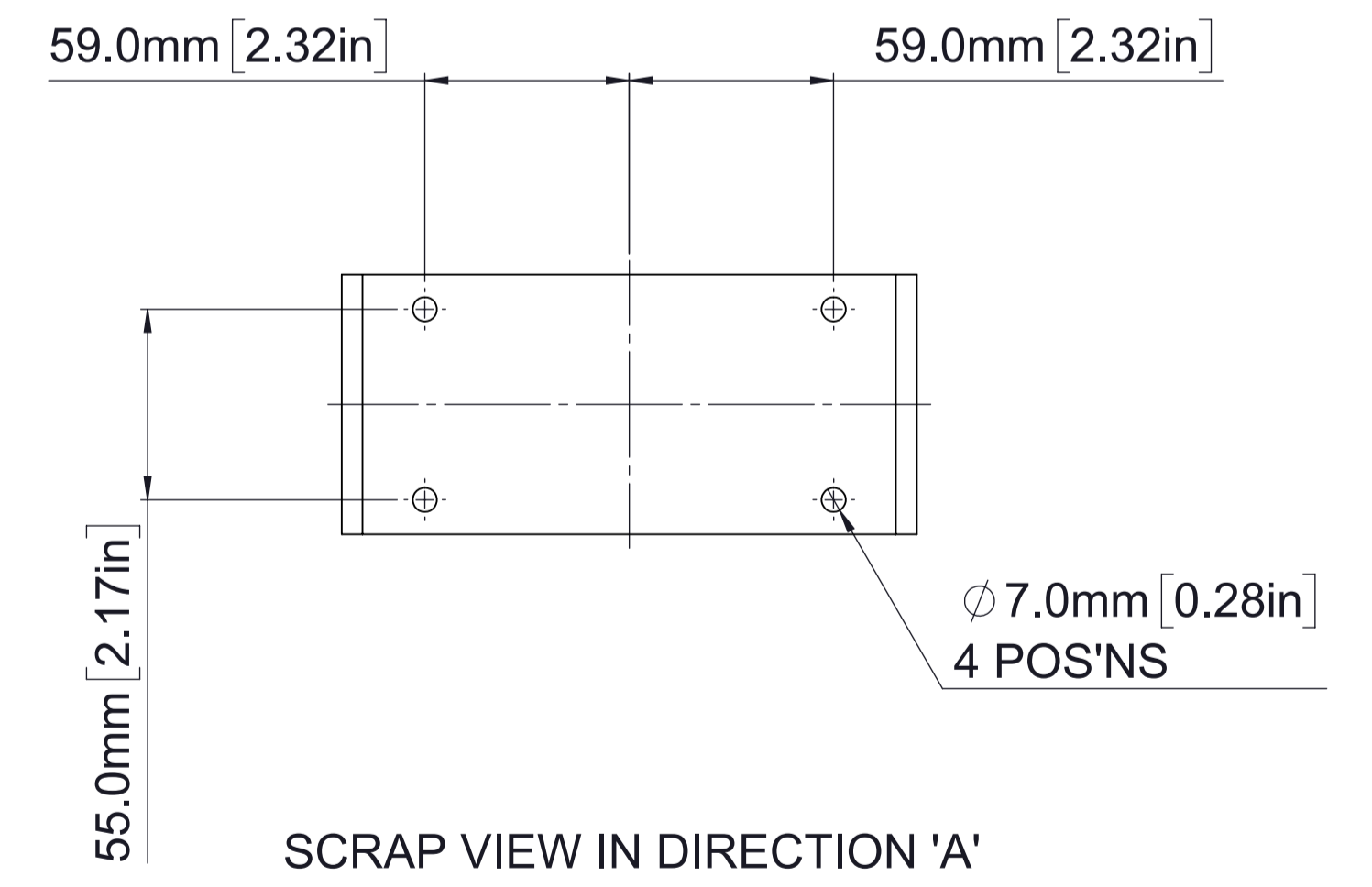
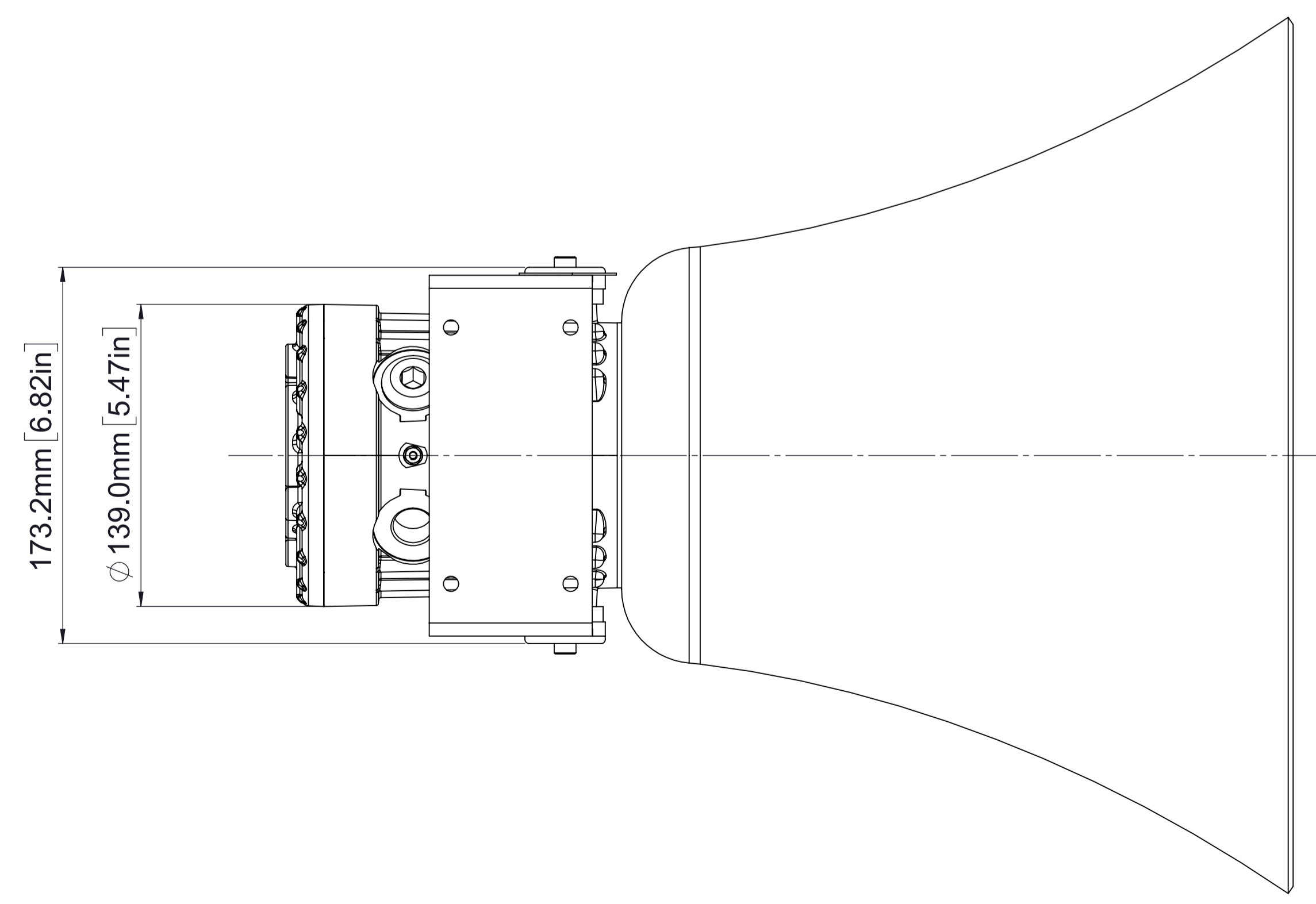


SCALE 1:5



E2S PART NO.	DESCRIPTION
GNExS2H	GNEX S2 LARGE FLARE ALARM SOUNDER (Ex d VERSION)
GNExL2H	GNEX L2 LARGE FLARE LOUDSPEAKER (Ex d VERSION)

DATA REFERENCE
1-22-025
1-22-115

DRAWING TO BS8888:2000 GEOMETRIC TOLERANCES TO ISO1101:1983 LINEAR DIMENSIONAL TOLS ANGULAR DIMENSIONAL TOLS	DRAWN J. SPILLER 23/03/21	DATE 23/03/21	SURFACE FINISH	WEIGHT (kg)
STANDARDS <b>GNEx Range</b>	CHECKED R.POTTS 23/03/21	DATE 23/03/21	MATERIAL GRP	
	APPROVED R.POTTS 23/03/21	DATE 23/03/21	ALTERNATIVE MATERIAL	

THIS DRAWING AND ANY INFORMATION OR DESCRIPTIVE MATTER THEREIN IS COMMUNICATED IN CONFIDENCE AND IS THE COPYRIGHT PROPERTY OF EUROPEAN SAFETY SYSTEMS LTD. NEITHER THE WHOLE OR ANY EXTRACT MAY BE DISCLOSED, LOANED, COPIED OR USED FOR MANUFACTURING OR TENDERING PURPOSES WITHOUT THEIR WRITTEN CONSENT.

EUROPEAN SAFETY SYSTEMS LTD.  
AS PER LATEST DATE OF ISSUE SHOWN ABOVE.



ALL DIMENSIONS IN MM IF IN DOUBT, ASK - DO NOT SCALE				<b>A1</b>
TITLE GNExS2H / GNExL2H SOUNDER OUTLINE DRAWING			SCALE 1:2	SHEET 1 OF 1
			DRAWING NUMBER <b>D157-05-151</b>	